

**LASTING IMPRESSIONS
START WITH GREAT PRODUCTS**



**Product
Detailed Specs
Project Plans & Inspiration**

volume 8 **2018**

OZCO
BUILDING PRODUCTS

OZCObp.com | (469) 916-7503

Galleries, Flip Books & Inspiration Boards

OZCObp.com



'' Best upgrade ever!

You will never add a smaller upgrade that will get you bigger attention to your home! These are unique eye candy no matter the style of your home! So very happy I found them, it changed the look of garden gate, fence and wood trim in kitchen into something special. ♡ ♡

Julia H. ~ Verified Buyer



Free Project Plans

OZCO Has A Full Library of FREE Project Plans on Our Website

OZCObp.com

First Browse Our Quick Bill of Material Sheets, Use the BOM as Your Shopping Guide & Once Your Are Ready to Build Download the Detailed Project Plan



FREE Project Plans
 Step by Step How To's
 Material & Cut Lists
 OZCObp.com



Project #112



Project #576

CHOOSE FROM OUR VAST LIBRARY OF QUICK BILL OF MATERIALS TO FULL PROJECT PLANS, THOUSANDS OF PICTURES, VIDEOS, SPECS AND GUIDES!

OZCO PROJECT #579
 PORCH PERGOLA WITH SWING
 INCLUDES STRUCTURE WITH OUR POOLS
 BILL OF MATERIALS

ITEM	QTY	DESCRIPTION	UNIT	PRICE	TOTAL
1	1	PERGOLA KIT	EA	1200.00	1200.00
2	1	SWING SET	EA	800.00	800.00
3	1	POOL KIT	EA	1500.00	1500.00
4	1	PAVING STONE	EA	1000.00	1000.00
5	1	WOOD BENCH	EA	500.00	500.00
6	1	GRASS	EA	100.00	100.00
7	1	POOLS	EA	100.00	100.00
8	1	WOOD	EA	100.00	100.00
9	1	PAVING	EA	100.00	100.00
10	1	GRASS	EA	100.00	100.00
11	1	POOLS	EA	100.00	100.00
12	1	WOOD	EA	100.00	100.00
13	1	PAVING	EA	100.00	100.00
14	1	GRASS	EA	100.00	100.00
15	1	POOLS	EA	100.00	100.00
16	1	WOOD	EA	100.00	100.00
17	1	PAVING	EA	100.00	100.00
18	1	GRASS	EA	100.00	100.00
19	1	POOLS	EA	100.00	100.00
20	1	WOOD	EA	100.00	100.00
21	1	PAVING	EA	100.00	100.00
22	1	GRASS	EA	100.00	100.00
23	1	POOLS	EA	100.00	100.00
24	1	WOOD	EA	100.00	100.00
25	1	PAVING	EA	100.00	100.00
26	1	GRASS	EA	100.00	100.00
27	1	POOLS	EA	100.00	100.00
28	1	WOOD	EA	100.00	100.00
29	1	PAVING	EA	100.00	100.00
30	1	GRASS	EA	100.00	100.00

OZCO INSPIRED PROJECTS

A Photo Collection & Gallery of work, from simple DIY Applications to Pro and Expert Builders - we are posting your photos to recognize great work and to inspire others in their pursuit of #OWTstanding OZCO inspired Projects!

Do What Mary Did...
 Find Inspiration, Plans & Even a Contractor Using an OZCO Plan to effort!
 www.OZCO.com

Product & Packaging Specs
 4" x 8" Flush Outside (FO-301W-4)

ITEM	QTY	PACKAGING	DESCRIPTION
1	1	5177A	CONCRETE
2	4	8000B	1/2" x 1/2" BLACK STEEL BRACE 21" LG

DESIGN PURCHASE CONSTRUCT ENJOY

OZCO Project #576 - Firepit All Around Swing Seating

Firepit 1

Firepit 2

OZCO Project #576 - Firepit All Around Swing Seating

OZCO ORNAMENTAL WOOD TIES

NEW OWT-LITE HARDWARE

14 - 17

54207	4X4 Post Base - Laredo Sunset OWT-LITE	15
54208	6X6 Post Base - Laredo Sunset OWT-LITE	15
54209	8X8 Post Base - Laredo Sunset OWT-LITE	15
54210	8" Post to Beam - Laredo Sunset OWT-LITE	15
52107	4X4 Post Base - Ironwood OWT-LITE	16
52108	6X6 Post Base - Ironwood OWT-LITE	16
52109	8X8 Post Base - Ironwood OWT-LITE	16
52110	8" Post to Beam - Ironwood OWT-LITE	16



4X4 POST BASES

18 - 23

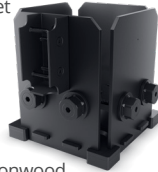
56641	2X4 Top Rail Saddle - Laredo Sunset	19
51707	4X4 Post Base - Ironwood	19
56607	4X4 Post Base - Laredo Sunset	19
51730	4X4 Post Base Twin Rail Saddle - Ironwood	21
56630	4X4 Post Base Twin Rail Saddle - Laredo Sunset	21
51731	4X4 Post Base Single Rail Saddle - Ironwood	21
56631	4X4 Post Base Single Rail Saddle - Laredo Sunset	21
51789	4X4 Faux Post Base - Ironwood	23
56689	4X4 Faux Post Base - Laredo Sunset	23



LARGE POST BASES

24 - 31

56604	4X6 Post Base - Laredo Sunset	25
51708	6X6 Post Base - Ironwood	25
56608	6X6 Post Base - Laredo Sunset	25
51772	6X6 Post Base Twin Rail Saddle - Ironwood	27
56672	6X6 Post Base Twin Rail Saddle - Laredo Sunset	27
51771	6X6 Post Base Single Rail Saddle - Ironwood	27
56671	6X6 Post Base Single Rail Saddle - Laredo Sunset	27
51709	8X8 Post Base - Ironwood	29
56609	8X8 Post Base - Laredo Sunset	29
51705	10X10 Post Base - Ironwood	29
56605	10X10 Post Base - Laredo Sunset	29
51790	6X6 Faux Post Base - Ironwood	31
56690	6X6 Faux Post Base - Laredo Sunset	31
51791	8X8 Faux Post Base - Ironwood	31
56691	8X8 Faux Post Base - Laredo Sunset	31



NEW POST BANDS & ACCESSORIES

32 - 35

51783	4X4 Post Band - Ironwood	33
51786	6X6 Post Band - Ironwood	33
51787	8X8 Post Band - Ironwood	33
57703	Wine Glass Holder - Post Band Accessory	32
57704	Plant Hanger - Post Band Accessory	33
57705	Wine Bottle Holder - Post Band Accessory	35
57706	Shackle Ring - Post Band Accessory	35
57707	Can/Mobile Holder - Post Band Accessory	35
57708	Towel Hook - Post Band Accessory	35



NEW COLUMN CAPS

38 - 39

51778	4X4 Column Caps- Ironwood	39
56678	4X4 Column Caps- Laredo Sunset	39
51779	6X6 Column Caps- Ironwood	39
56679	6X6 Column Caps- Laredo Sunset	39



POST TO BEAMS

40 - 45

51775	4" Post to Beam - Ironwood	41
56675	4" Post to Beam - Laredo Sunset	41
51735	6" Post to Beam - Ironwood	41
56635	6" Post to Beam - Laredo Sunset	41
51736	Post to Beam Bolt Offset - Ironwood	43
56636	Post to Beam Bolt Offset - Laredo Sunset	43
51737	Post to Beam Bolt Inline - Ironwood	43



POST TO BEAMS continued

40 - 45

56637	Post to Beam Bolt Inline - Laredo Sunset	43
51710	8" Post to Beam - Ironwood	44
56610	8" Post to Beam - Laredo Sunset	44
51776	8" Post to Beam Flush - Ironwood	45
56676	8" Post to Beam Flush - Laredo Sunset	45
51777	8" Post to Beam Coupler - Ironwood	45
56677	8" Post to Beam Coupler - Laredo Sunset	45

JOIST & BEAM HANGERS

46 - 49

51739	Joist Hanger Flush 6 -8" - Ironwood	47
56639	Joist Hanger Flush 6 -8" - Laredo Sunset	47
51769	6-8" Beam Hanger Flush - Ironwood	47
56669	6-8" Beam Hanger Flush - Laredo Sunset	47
51740	Joist Hanger Tab 6-8" - Ironwood	49
56640	Joist Hanger Tab 6-8" - Laredo Sunset	49
51770	8-10" Joist Hanger Flush - Ironwood	49
56670	8-10" Joist Hanger Flush - Laredo Sunset	49



NEW RAFTER SEAMS

50 - 51

51793	Rafter Seam - Ironwood	51
56693	Rafter Seam - Laredo Sunset	51



RAFTER CLIPS

52 - 55

51717	2" Rafter Clips - Ironwood - (10PK)	53
41717	2" Rafter Clips - Ironwood - (2PK)	53
56617	2" Rafter Clips - Laredo Sunset	53
46617	2" Rafter Clips - Laredo Sunset - (2PK)	53
51738	2" HV Rafter Clip - Ironwood NEW	52
56638	2" HV Rafter Clip - Laredo Sunset	53
51718	4" Rafter Clips - Ironwood	55
56618	4" Rafter Clips - Laredo Sunset	55
51768	4" Flush Inside 45° - Ironwood	55
56668	4" Flush Inside 45° - Laredo Sunset	55

TRUSS ACCENTS

56 - 57

51711	Truss Accent Plate - Ironwood	57
56611	Truss Accent Plate - Laredo Sunset	57

TRUSS TIES & ANGLES

58 - 63

56615	Flush Inside 90° Plate	59
56616	Flush Inside 45° Plate	59
56612	"T" Tie Plate	59
57712	"T" Tie Plate Extended	59
56613	Butt Joint Flush	60
56614	Flush Outside 90° Plate	60
51774	4" Flush Outside 90° - Ironwood	60
56674	4" Flush Outside 90° - Laredo Sunset	60
51767	4" T Tie Plate - Ironwood	63
56667	4" T Tie Plate - Laredo Sunset	63



TRUSS BASE FANS

66 - 51

56619	Truss Base Fan 8:12 Plate	67
56620	Truss Base Fan 10:12 Plate	67
56644	Truss Base Fan 12:12 Plate	67
56645	Truss Base Fan T Plate	71
56646	Truss Base Fan 3 Point Plate	71
56642	Truss Base Fan 4:12 Plate	71
56643	Truss Base Fan 6:12 Plate	71



ACCENTS



72 - 73

56623	Star 2 3/8" OD	73
56624	Star 3 3/8" OD	73
16624	Star 3 3/8" OD - BULK	73
56681	1" Hex Cap Nut	73



-----	ACCENTS continued		72 - 73
56621	1½" Hex Cap Nut - (10PK)		73
46621	1½" Hex Cap Nut - (4PK)		73
16621	1½" Hex Cap Nut - (250PK)		73
56622	1¼" Hammered Dome Cap Nut - (10PK)		73
16622	1¼" Hammered Dome Cap Nut - (250PK)		73


=====	OWT TIMBER BOLTS		74 - 79
56673	¾" 1½"-4" Timber Bolts		74
56649	¾" 4-6" Timber Bolts		74
56650	¾" 6-8" Timber Bolts		74
56651	¾" 8-10" Timber Bolts		74
56652	¾" 10-12" Timber Bolts		74
16649	¾" 4-6" Timber Bolts - BULK		74
16650	¾" 6-8" Timber Bolts - BULK		74
16651	¾" 8-10" Timber Bolts - BULK		74
16652	¾" 10-12" Timber Bolts - BULK		74
56680	HD Timber Bolt Washer		74
16680	HD Timber Bolt Washer - BULK		74
56694	½" 1½"-4" Timber Bolts		75
56695	½" 4-6" Timber Bolts		75
56696	½" 6-8" Timber Bolts		75
56697	½" 8-10" Timber Bolts		75
56698	½" 10-12" Timber Bolts		75

=====	OWT TIMBER SCREWS		82 - 83
56625	¼" X 1 ¾" Timber Screws		83
56626	¼" X 2 ¾" Timber Screws		83
56627	¼" X 3 ¾" Timber Screws		83
56628	¼" X 5 ¾" Timber Screws		83
56629	¼" X 7 ½" Timber Screws		83
56647	¼" X 10" Timber Screws		83
56648	¼" X 12" Timber Screws		83
16625	¼" X 1 ¾" Timber Screws - BULK		83
16626	¼" X 2 ¾" Timber Screws - BULK		83
16627	¼" X 3 ¾" Timber Screws - BULK		83
16628	¼" X 5 ¾" Timber Screws - BULK		83
16629	¼" X 7 ½" Timber Screws - BULK		83
16647	¼" X 10" Timber Screws - BULK		83
16648	¼" X 12" Timber Screws - BULK		83

=====	OWT GATE HARDWARE & ACCESSORIES		84 - 85
56653	T Hinge 3 Pack w/ HDCN		84
56661	T Hinge - (Bulk Single)		84
56654	Strap Hinge 3pk w/ HDCN		84
56662	Strap Hinge - (Bulk Single)		84
56655	Butterfly Hinge 3pk w/ HDCN		84
56663	Butterfly Hinge - (Bulk Single)		84
56656	Standard Latch w/ Handle		85
56664	Standard Latch w Handle - (Bulk Single)		85
56658	Gate Accent Scroll		84
56659	Gate Accent Fleur-De-Lis		84
56660	Gate Accent Speak Easy		85
56665	Gate Accent Star		84
56100	16" Carriage House Straps		84
56110	9¾" Carriage House Handles		84

=====	FENCE BRACKETS & ACCESSORIES		88 - 89
50110	WAP-OZ Steel 2 Wood Fence Bracket		88
50111	WAP-OZ Steel 2 Wood Fence Bracket BULK (50PK)		88
50140	WAP-238-90 Inside 90°		88
50100	WAP-238 Steel 2 Wood Fence Bracket		88

=====	FENCE BRACKETS & ACCESSORIES continued		88 - 89
50130	WAP-238 Steel 2 Wood Fence Bracket BULK		88
50120	Wood 2 Wood Fence Bracket		89
20550	3' Steel Post Extender		89

=====	POST ANCHORS - WOOD POSTS		96 - 97
56632	4X4 Ornamental Anchor - Laredo Sunset		95
56633	6X6 Ornamental Anchor - Laredo Sunset		95
56634	8X8 Ornamental Anchor - Laredo Sunset		95
30700	MB-24 - (3½" Square)		96
30160	T4-850 - (3½" Square)		96, 102
30180	T4-600 - (3½" Square)		96
30380	T46-850 - (3½"X5½")		96
30400	T6-850 - (5½" Square)		97

=====	POST ANCHORS - STEEL POSTS		98 - 99
30000	GB-700 - (1½" Round)		98
30020	HB-700 - (1½" Round)		98
30040	ISW-850 - (2¾" Round)		98
30060	IS-600 - (2¾" Round)		98
50890	Cap Driving Tool		99
30500	2¾" Round Post Base		99

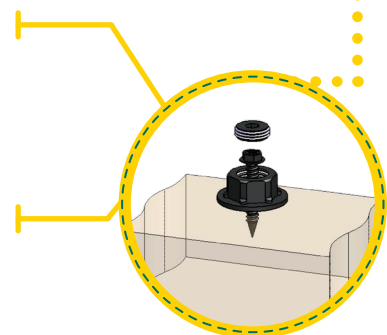
=====	POST ANCHORS - DECORATIVE POSTS		100 - 101
30300	I2-850 - (2" Square)		100
30320	I2-600 - (2" Square)		100
30340	I25-850 - (2½" Square)		100
30360	I3-850 - (3" Square)		100

=====	OZ-DECK - FOUNDATION SYSTEM		102 - 103
50880	OZ-Deck Plate		95, 102
30410	T6-700 - (5½" Square)		102

=====	OZ-TOOLS		104 - 105
20480	JDK-10 - (Jackhammer Driver Kit)		104
20500	MDK-13 Manual Driving Kit		104
20440	OH-02 - (Oz-Hammer Driver)		104
50740	Post Level		104
40520	HSP-T46 - (Hammer-Spacer) ●		104
40540	HSP-T6 - (Hammer-Spacer) ●		104
40580	HSP-I25 - (Hammer-Spacer) ○		104
40600	HSP-I3 - (Hammer-Spacer) ●		104
40640	HSP-HB - (Hammer-Spacer) ●		104
50800	OZ-Puller®		105
50820	Plug Clamp		105
50833	Post Clamp		105

Categories are indicated by an easy to distinguish **Outer Circle** around a **Typical Installation Graphic** of the product and the header bar on each page.

Typical Installation Graphics are the most common installation configuration, but not limited to. **Note:** This is how the product has been tested. OZCO products are versatile and can almost always be used in a variety of projects and scale.



10 REASONS OZCO is the GREATER Choice In Building Materials



PATENTS

- OZCO has been granted 10 US patents on its products with more pending.
- OZCO invests in protecting its intellectual property.



SOCIAL PROOF ★★★★★

- Check out our 100's of product reviews, across industry leading sources print & digital.
- Thousands of DIY and Pro submitted project pictures, posts and engagement.
- Featured on several popular HGTV & DIY home improvement shows.



COST SAVING

- Custom cut steel is expensive in part to the time consuming manufacturing process and simply doesn't last as long.
- What is the cost per pound? Take the cost/weight and you will quickly see that OWT hardware has the lowest cost per pound.
- Don't pay more for less — With OZCO products that is never the case.



ADJUSTABLE

- Lumber dimensions vary tremendously — from rough cut, smooth, reclaimed and so on, combined with the many types of species utilized with OWT connectors.
- Other connectors on the market require bending of the brackets or the size of material to be known before placing orders. Neither option is ideal — OWT connectors are the answer offering truly adjustable on-site installation with ease.
- A complete and tight connection produces the highest level of strength and performance in any installation.



HOT DIPPED GALVANIZED

- Not all galvanized is created equal, pre-galvanized steel does not perform as well as HDG.
- Galvanizing after production ensures all areas of the steel is uniformly coated with zinc.
- Same process used for national highway guardrails, an area subjected to some of the harshest environmental conditions.

POWDER COATED

- OWT hardware features high grade exterior powder coating.
- PC performs better than liquid paint typically used by steel fabricators.
- All of the OZCO black powder coated hardware is truly uniform providing consistency & performance for the entire project.



THICKER STEEL

- The thicker the steel is the stronger the connection will be.
- OWT steel thickness is scaled to be more pleasing to the eye.
- Pays homage to the history of this type of timber construction.



TESTING / REPORTS

- OWT hardware is not only attractive but it is also structural.
- We could manufacture our products for a lower cost but our goal is to make our products perform above industries standards.
- Drawings and load data listed on ARCAT for easy access.



KITS & PACKAGING

- At OZCO we are builders too, so whenever possible we include the necessary hardware to keep your list short, save time & money.
- Well packaged to remain in excellent condition from the store to the job-site.
- Packaged in job sized quantities for DIY and Pro.















TIMBER BOLTS & SCREWS

- OWT Timber Screws feature performance with strength that is second to none — in a wide range of lengths for all types of projects.
- Screws can be used successfully when the force is predominantly shear load.
- Don't forget to use our Heavy Duty Washer on wood to wood connections for added strength and style.

Technical Evaluation Report
 Provided to us by: [Name], a company with a proven track record in the construction industry. The report details the testing procedures and results for the OWT hardware, demonstrating its structural integrity and performance under various load conditions. The report includes detailed diagrams and data tables.

Product & Packaging Specs
 6x6 Post Base
 Part Number: 5000-11
 Description: Assembly, 6x6 Post Base
 Weight: 11.1 lbs
 Dimensions: 12.5" x 12.5" x 2.5"

Each icon below has a detailed description and each is a commonly used term throughout the various OZCO product brands. At any point in this catalog you can refer back to this page for an icon's meaning. These icons are used on product packaging to help identify key features.

- ACQ** Approved to Use With ACQ Treated Lumber
Aprobado para su uso con ACQ Madera Tratada
- G-PC** Bold Design Featuring Powder Coated Galvanized Steel
Intrépido que ofrece revestido de polvo de acero galvanizado
- AI-PC** Bold Design Featuring Powder Coated Aluminum
Tornillo Diseñado con Revestidura de Polvo de Aluminio
- PGS** Pre-Galvanized Steel
Antes de Acero Galvanizado
- HDG** Hot Dipped Galvanized Steel
Acero Galvanizado en Caliente
- PC** Powder Coated
Polvo Cubierto
- CRC** Corrosion Resistant Coated
Recubierto Resistente a la Corrosión
- AI** Aluminum
Aluminio
- inches** Thickness
mm Espesor
-  Hex Head Size
Hexagonal de Tamaño de la Cabeza
-  Hardware Included
Incluye Piezas de Montaje
-  Hardware NOT Included
NO Incluye Piezas de Montaje
-  No Pre-Drilling Required
No Pre-Perforación Requerida
-  Fasten-Ready Technology™
Fije Tecnología Listo
-  Quantity of Pieces Included in Package
Cantidad de Piezas Incluidas en el Paquete
-  lbs ↓ kg Load-Bearing
Carga de Peso Hacia Abajo
-  lbs ↑ kg Load-Lift
Carga de Peso Para Arriba
-  lbs ↔ kg Lateral-Load
De Carga-Lateral
-  lbs kg Ultimate Tensile Strength (UTS)
Resistencia a la Tracción (UTS)
-  Product Has A U.S. Patent
El Producto Tiene una Patente de U.S.
-  Indicates Bit Tip Size
Indica tamaño de la punta



The Industry Leading Provider

High quality building & design
content for AEC professionals
throughout North America.

www.OZCObp.com/CAD-details

-  Hurricane Zone Tested Approved to 120mph
El huracán Zona Probado Aprobado a 120mph
-  lbs kg Product Weight
Peso del Product
-  Adjustable To Fit All Standard "x" Posts (½" to ")
Ajustable a Cualquier Poste de "x" Posts (½" to ")
-  Exclusive Ledge Design for Critical Connectors Point
Exclusivo Diseño de Cornisa para el Punto de Conexión
-  Includes Matching Black Corrosion Resistant Fasteners
Incluye Juego de Sujetadores Resistentes a la Corrosión.
-  For Use With OWT Timber Screws or OWT Timber Bolts
Para Uso con OWT Timber Screws y OWT Tornillos Para Vigas
-  Pre-Engineered To Match Structural Angles
Pre-Diseñado Para Igualar Cualquier Angulo Estructural
-  Easily Mounted Anywhere on a Ledge or Beam
Montado Fácilmente en Cualquier Lugar en una Repisa o Viga
-  Unique "Diamond Eye" Locating Cutout For Quick Installation
Unique "Diamante con Facil" Localización de rRecorte Para una Instalación Rápida
-  Helpful Product Information & Recommendations
Información y Recomendaciones útil del Producto
-  Fits Seamlessly With a Variety of OZCO Products
Se Adapta Sin Problemas a Toda la Bariedad de Productos OZCO
-  Number of Truss Accents Required for Product
Número de Acentador Fijo Requerido para Producto
-  Perpendicular Alignment
Alineación Perpendicular
-  Parallel Alignment
Alineación Paralela
-  Indicates Decorative Style by Letters & Color
Indica Estilo Decorativo por el Color y las Letras
-  Case Quantity
Cantidad por Caja

Precautions have been taken to ensure the accuracy of the information in this catalog. Product dimensions in this catalog are nominal and are provided for the convenience of our customers. OZCO Building Products reserves the right to make product changes from time to time, without the prior notification in turn changing the information shown within this catalog. It is recommended to call or email customer service to verify specs before starting any project planning.

CAUTION: This hardware may not be suitable for every situation or installation application. A design professional should be consulted to ensure the specific installation application meets local building code requirements.

More Inspiration from Our Photo Galleries

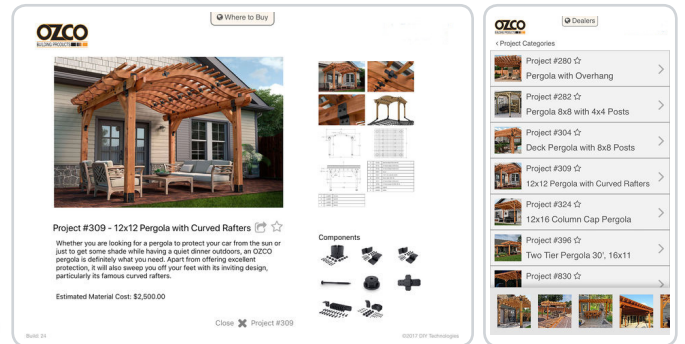
OZCObp.com



GREATER TOOLS for Success

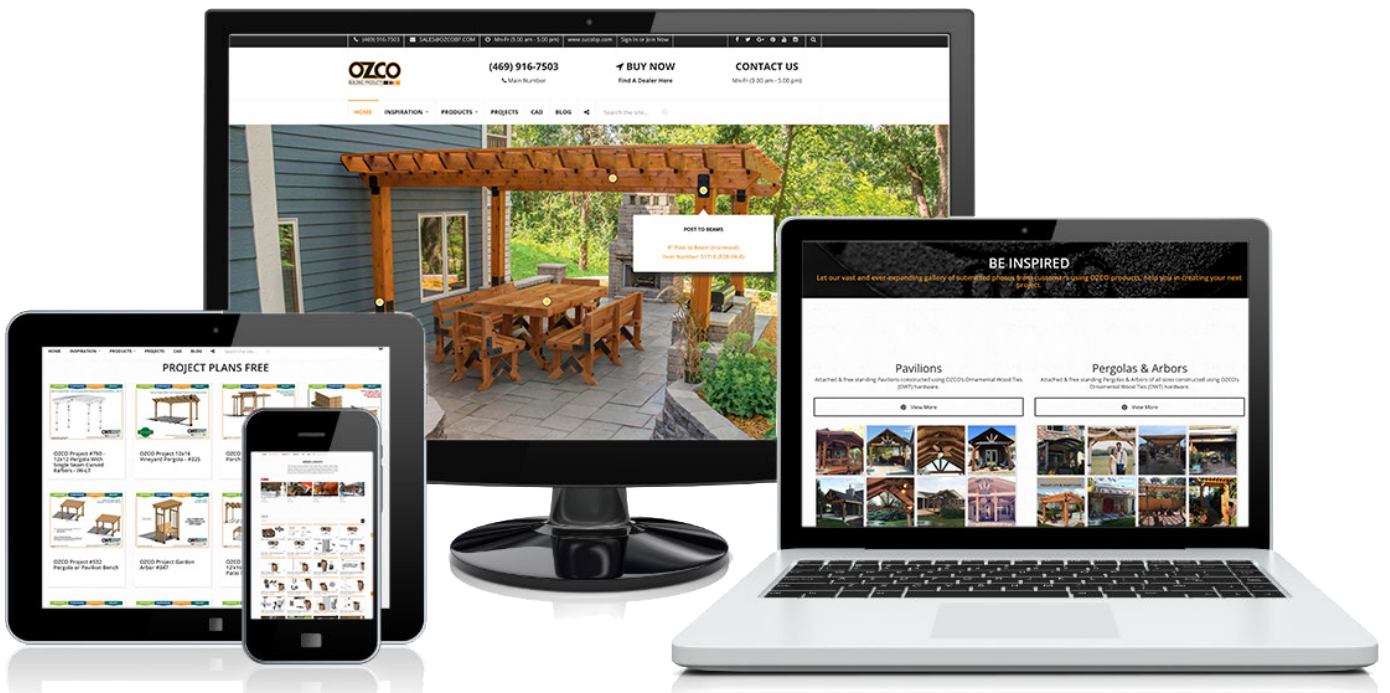
The **NEW OZCO Project Explorer** app lets you explore projects for building a variety of pergolas, pavilions, and backyard projects. The app features over 25 do-it-yourself projects with materials, cut lists, and part lists included. Compatible with iPhone, iPad, and iPod touch.

Download on the App Store
 Search & Download
OZCO Project Explorer App TODAY!



2 **OZCObp.com** has been fully renovated and the already vast libraries of Inspiration. **Bill of Materials** to full **Project Plans**, thousands of **Photos**, **Videos**, **Specs** and **Guides** have been updated as well!

3 **Social Media**, unmatched presence across multiple platforms!



Connectors for Wood Projects

- Steel connectors provide the strength needed for construction
- Connectors reduce construction time and improve appearance
- It's easier to meet building code requirements with connectors

Family & Friends Gather... OZCO Connects





Project #895





introducing
Ornamental Wood Ties
OWTLITE for **2018**
 available in Laredo Sunset & Ironwood



Like the OWT Post base, the OWT Lite is beautifully designed and features some of the same patented features as the Original. It also features a 1 inch offset to meet international residential building code for installation using non-rot-resistant lumber. OWT-Lite products are simplified versions original OWT products designed to meet minimum load requirements, and offered at a lower price point.

Lite 4"x 4" Post Base

Item #: 54207 (4X4-PB-LSL) Laredo Sunset

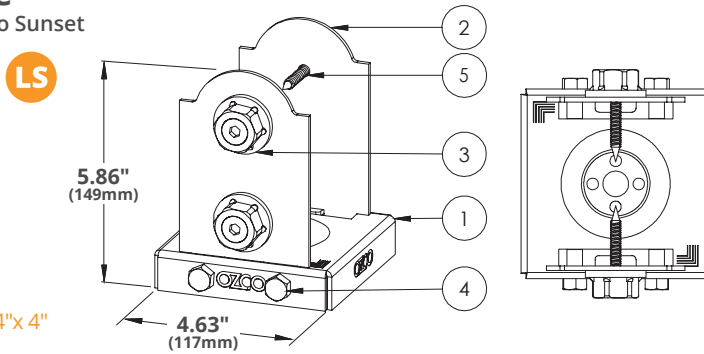
MSRP: \$25.09

Kit Includes:

- 1 Post Base Plate
- 2 Decorative Plates
- 4 Hex Cap Nuts
- 4 3/8" H-Bolt
- 4 1 3/4" OWT Timber Screws

3.06 lbs 1.39 kg 13

Adjustable To Fit All Standard 4"x 4" Posts (3 1/2" to 4")



Lite 6"x 6" Post Base

Item #: 54208 (6X6-PB-LSL) Laredo Sunset

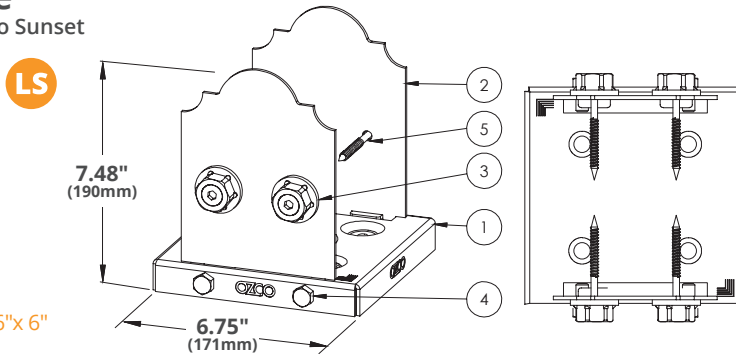
MSRP: \$32.29

Kit Includes:

- 1 Post Base Plate
- 2 Decorative Plates
- 4 Hex Cap Nuts
- 4 3/8" H-Bolt
- 4 2 3/4" OWT Timber Screws

5.22 lbs 2.37 kg 8

Adjustable To Fit All Standard 6"x 6" Posts (5 1/2" to 6")



Lite 8"x 8" Post Base

Item #: 54209 (8X8-PB-LSL) Laredo Sunset

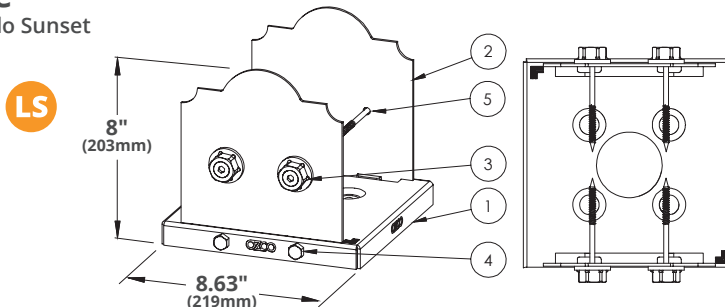
MSRP: \$46.49

Kit Includes:

- 1 Post Base Plate
- 2 Decorative Plates
- 4 Hex Cap Nuts
- 4 3/8" H-Bolt
- 4 3 3/4" OWT Timber Screws

7.72 lbs 3.5 kg 8

Adjustable To Fit All Standard 8"x 8" Posts (7 1/2" to 8")



Lite 8" Post 2 Beam

Item #: 54210 (8-P2B-LSL)

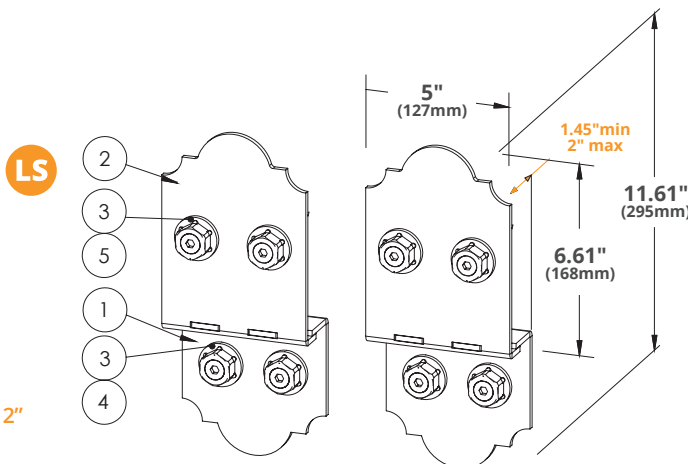
MSRP: \$36.29

Kit Includes:

- 2 Post Ledge Bases
- 2 Top Cover Plates
- 8 Hex Cap Nuts
- 4 2 3/4" OWT Timber Screws
- 4 3 3/4" OWT Timber Screws

2.89 lbs 1.31 kg 5

Adjustable To Fit All Standard 2" Boards (1 1/2" to 1 7/8")



G-PC

ACQ

CRC



250 lbs
113 kg



.12" 3mm

Lite 4"x 4" Post Base

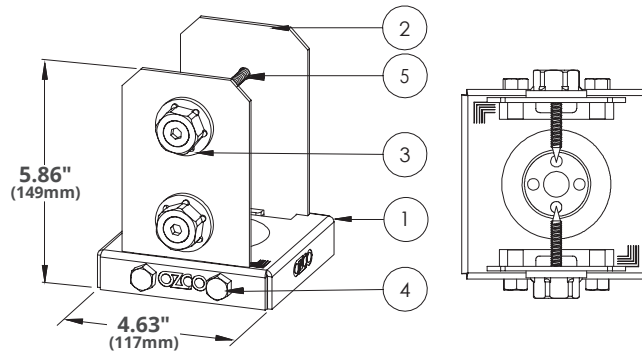
Item #: 52107 (4X4-PB-IWL) Ironwood
MSRP: \$25.09

Kit Includes:

- 1 Post Base Plate
- 2 Decorative Plates
- 4 Hex Cap Nuts
- 4 3/8" H-Bolt
- 4 1 3/4" OWT Timber Screws

3.06 lbs 1.39 kg 13

Adjustable To Fit All Standard 4"x 4" Posts (3 1/2" to 4")



Lite 6"x 6" Post Base

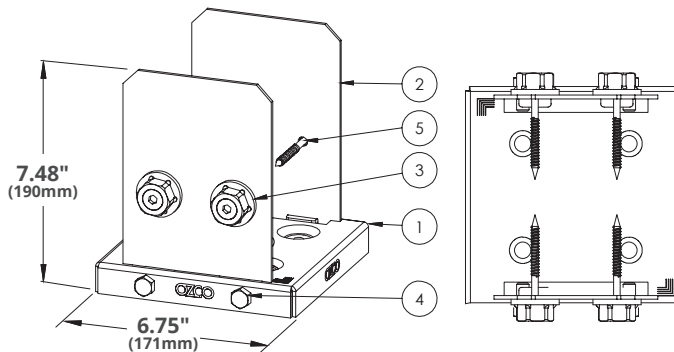
Item #: 52108 (6X6-PB-IWL) Ironwood
MSRP: \$32.29

Kit Includes:

- 1 Post Base Plate
- 2 Decorative Plates
- 4 Hex Cap Nuts
- 4 3/8" H-Bolt
- 4 2 3/4" OWT Timber Screws

5.22 lbs 2.37 kg 8

Adjustable To Fit All Standard 6"x 6" Posts (5 1/2" to 6")



Lite 8"x 8" Post Base

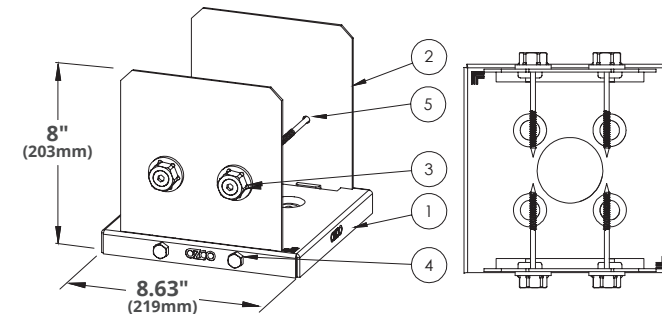
Item #: 52109 (8X8-PB-IWL) Ironwood
MSRP: \$46.49

Kit Includes:

- 1 Post Base Plate
- 2 Decorative Plates
- 4 Hex Cap Nuts
- 4 3/8" H-Bolt
- 4 3 3/4" OWT Timber Screws

7.72 lbs 3.5 kg 8

Adjustable To Fit All Standard 8"x 8" Posts (7 1/2" to 8")



Lite 8" Post 2 Beam

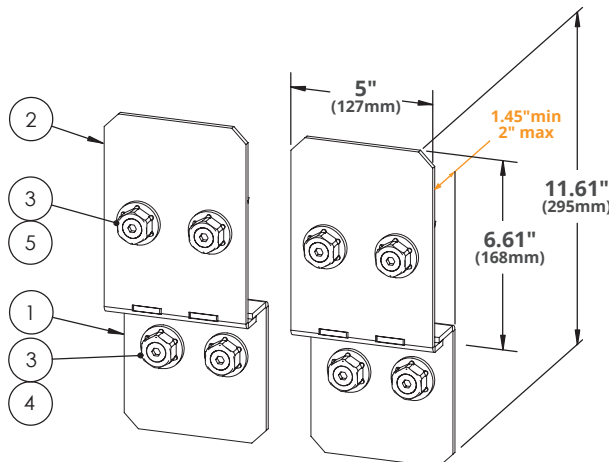
Item #: 52110 (8-P2B-IWL) Ironwood
MSRP: \$36.29

Kit Includes:

- 2 Post Ledge Bases
- 2 Top Cover Plates
- 8 Hex Cap Nuts
- 4 2 3/4" OWT Timber Screws
- 4 3 3/4" OWT Timber Screws

2.89 lbs 1.31 kg 5

Adjustable To Fit All Standard 2" Boards (1 1/2" to 1 7/8")





Project #750



Project #751



Search & Download
OZCO Project Explorer App TODAY!



G-PC

ACQ

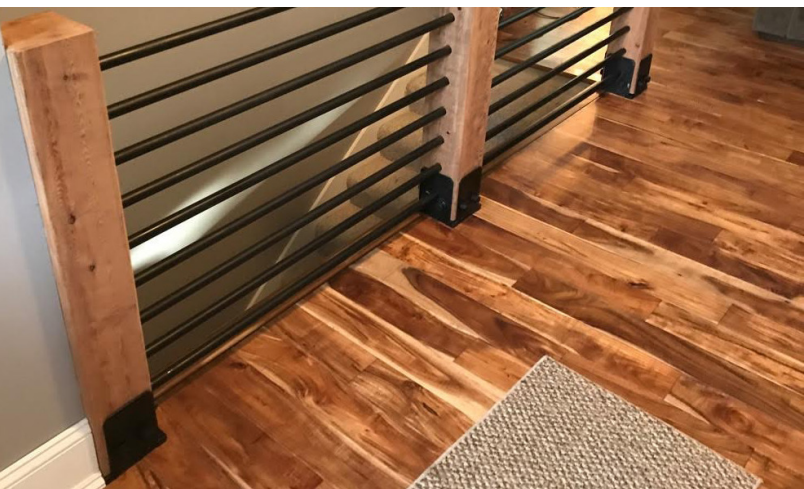
CRC



250 lbs
 113 kg



.12"
 3mm



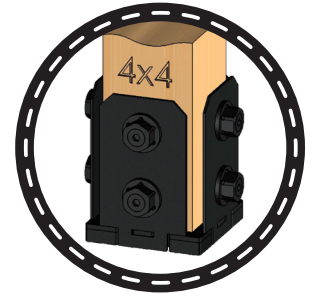
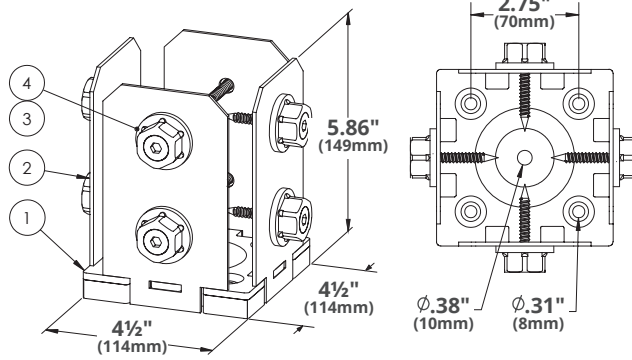
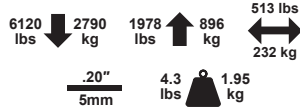
4"x 4" Post Base Kit

Item #: 51707 (4X4-PB-IW) Ironwood

MSRP: \$36.29

Kit Includes:

- 1 Post Base Plate
- 4 Decorative Plates
- 8 Hex Cap Nuts
- 8 1 3/4" OWT Timber Screws



Adjustable To Fit All Standard 4"x 4" Posts (3 1/2" to 4")

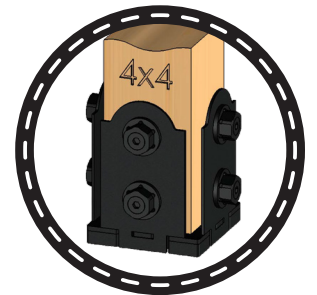
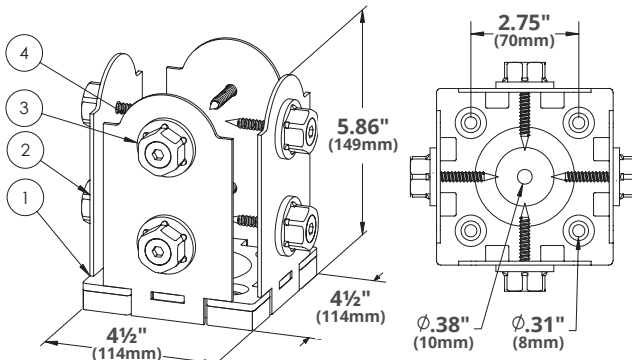
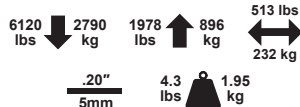
4"x 4" Post Base Kit

Item #: 56607 (4X4-PB-LS) Laredo Sunset

MSRP: \$36.29

Kit Includes:

- 1 Post Base Plate
- 4 Decorative Plates
- 8 Hex Cap Nuts
- 8 1 3/4" OWT Timber Screws



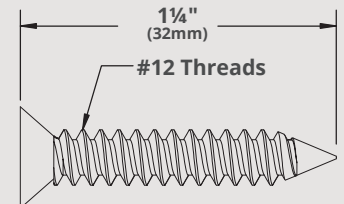
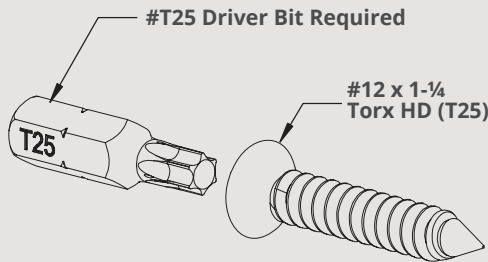
Adjustable To Fit All Standard 4"x 4" Posts (3 1/2" to 4")

Sharp Point Self Tapping Timber Screws

#12 x 1-1/4" Torx HD



- Requires a #T25 Torx bit
- Exclusive high friction design
- No pre-drilling required



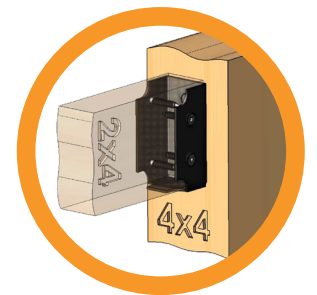
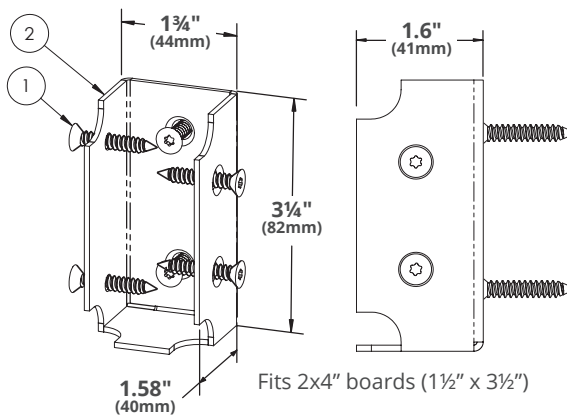
2"x 4" Rail Saddle

Item #: 56641 (2X4-TR)

MSRP: \$5.99

Kit Includes:

- 2 Rail Saddles
- 12 #12 x 1-1/4" Torx HD (T25)



Post Base installation in concrete, use a 1/4" bolt through the center base hole.



G-PC

ACQ

CRC



250 lbs / 113 kg





Download on the  App Store  Search & Download **OZCO Project Explorer App TODAY!**



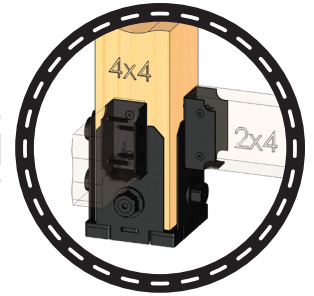
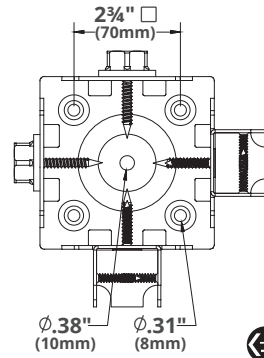
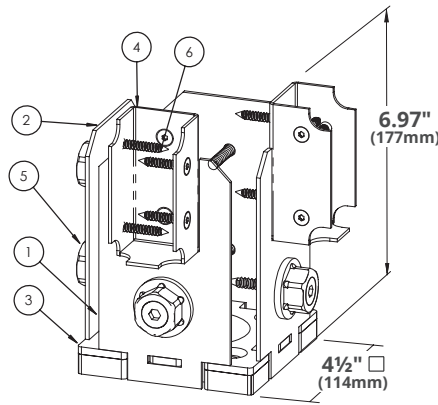
4"x4" Post Base

Plus (2) 2x4 Saddles
Item #: 51730 (4X4-TRS-IW)
MSRP: \$37.19

Kit Includes:

- 1 Base Plate
- 2 Rail Saddle Plates
- 3 2 Standard Plates
- 4 6 Hex Cap Nuts
- 5 6 1 3/4" OWT Timber Screws
- 6 12 #12 x 1-1/4 Torx HD (T25)

IW



Adjustable To Fit All Standard 4"x 4" Posts (3 1/2" to 4")



4.18 lbs 1.90 kg



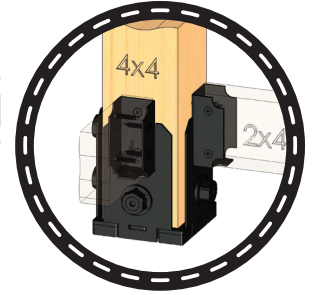
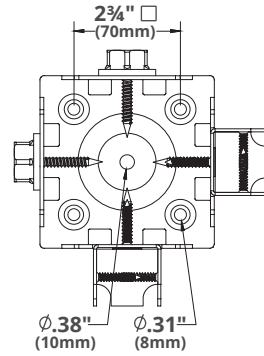
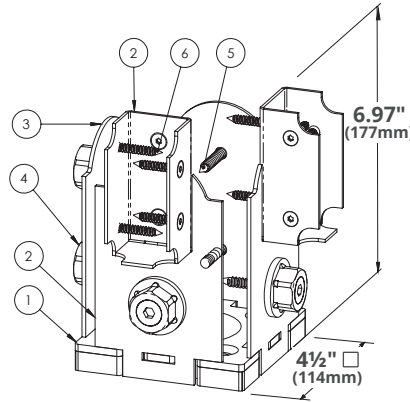
4"x4" Post Base

Plus (2) 2x4 Saddles
Item #: 56630 (4X4-TRS-LS)
MSRP: \$37.19

Kit Includes:

- 1 Base Plate
- 2 2 Rail Saddle Plates
- 3 2 Standard Plates
- 4 6 Hex Cap Nuts
- 5 6 1 3/4" OWT Timber Screws
- 6 12 #12 x 1-1/4 Torx HD (T25)

LS



Adjustable To Fit All Standard 4"x 4" Posts (3 1/2" to 4")



4.6 lbs 2.08 kg



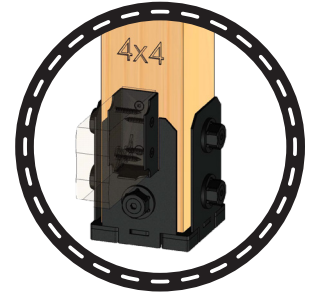
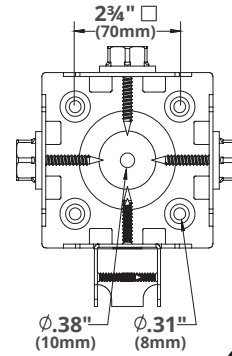
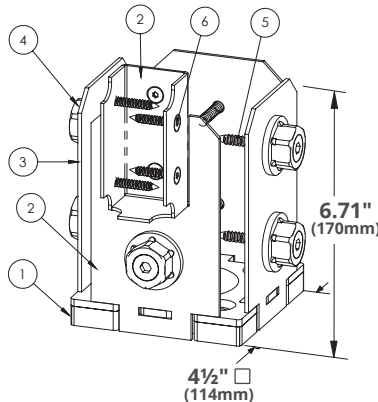
4"x4" Post Base

Plus (1) 2x4 Saddle
Item #: 51731 (4X4-SRS-IW)
MSRP: \$36.69

Kit Includes:

- 1 Base Plate
- 2 1 Rail Saddle Plate
- 3 3 Standard Plates
- 4 7 Hex Cap Nuts
- 5 7 1 3/4" OWT Timber Screws
- 6 6 #12 x 1-1/4 Torx HD (T25)

IW



Adjustable To Fit All Standard 4"x 4" Posts (3 1/2" to 4")



3.9 lbs 1.78 kg



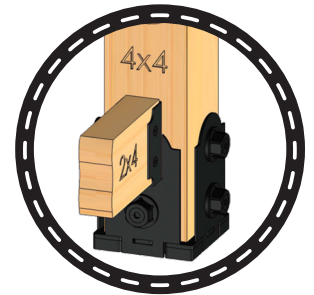
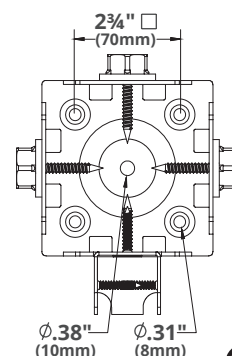
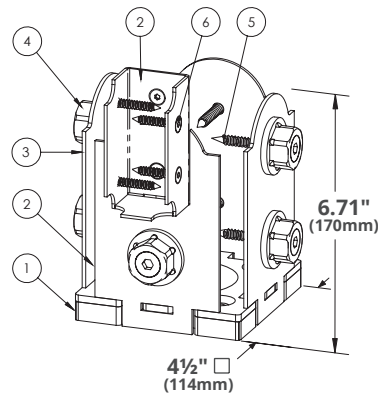
4"x4" Post Base

Plus (1) 2x4 Saddle
Item #: 56631 (4X4-SRS-LS)
MSRP: \$36.69

Kit Includes:

- 1 Base Plate
- 2 1 Rail Saddle Plate
- 3 3 Standard Plates
- 4 7 Hex Cap Nuts
- 5 7 1 3/4" OWT Timber Screws
- 6 6 #12 x 1-1/4 Torx HD (T25)

LS



Adjustable To Fit All Standard 4"x 4" Posts (3 1/2" to 4")



4.3 lbs 1.95 kg



G-PC

ACQ

CRC



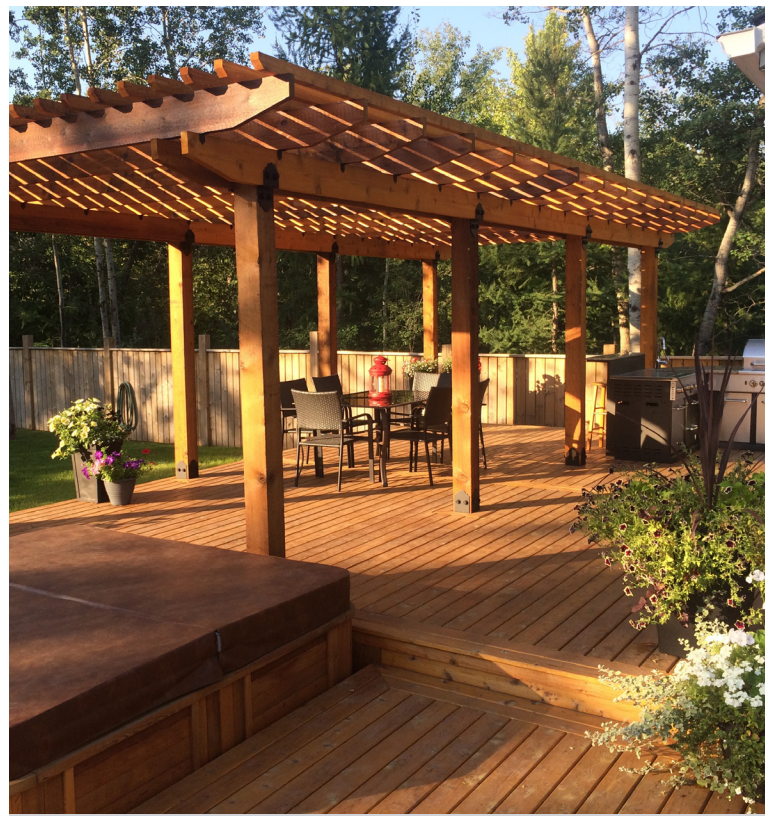
250 lbs
113 kg



.20" / 5mm



FREE
Project Plans
Cut Lists, Material Lists &
Step by Step How To
OZCObp.com





4x4 Post Base Kit

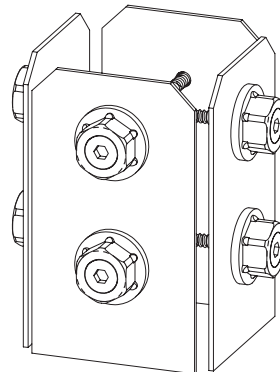
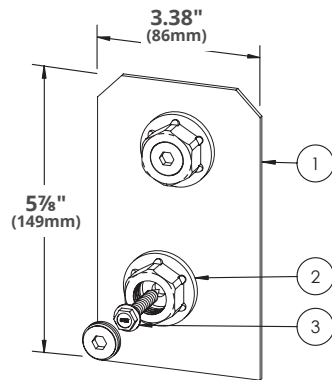
Easy to install, good quality product. Have had many inquiries about the product plus compliments. Will use again. Jason ~ LaVergne, TN

4x4 Faux Post Base Plates **IW**

Item #: 51789 (4X4-FPB-IW)
MSRP: \$24.39
Kit Includes:

- 1 4x4 Decorative Plates
- 2 8 Hex Cap Nuts
- 3 8 1 3/4" OWT Timber Screws

7.44 lbs 3.37 kg

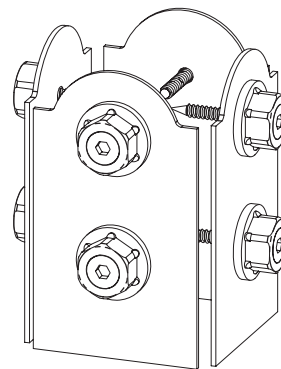
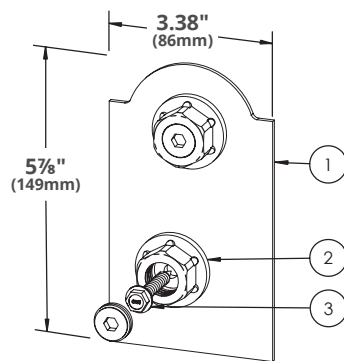


4x4 Faux Post Base Plates **LS**

Item #: 56689 (4X4-FPB-LS)
MSRP: \$24.39
Kit Includes:

- 1 4x4 Decorative Plates
- 2 8 Hex Cap Nuts
- 3 8 1 3/4" OWT Timber Screws

7.44 lbs 3.37 kg



Faux Post Base kits work great on deck posts and are easy to install or retrofit onto existing posts.



Scan to Watch This Product's Video



G-PC

ACQ

CRC



.20" 5mm



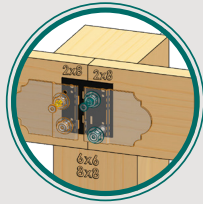
Download on the App Store

Search & Download OZCO Project Explorer App TODAY!

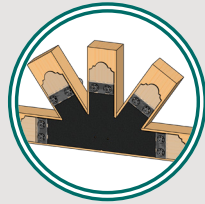
Looking For Truss Ties, Fans & Angles? Here are the pages you can find them on.



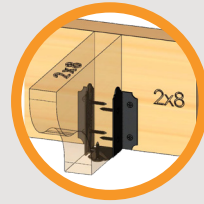
pages 52-55



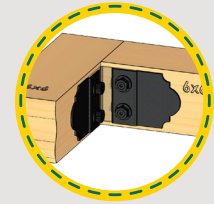
pages 58-63



pages 66-51



pages 46-49



page 57

4"x 6" Post Base Kit

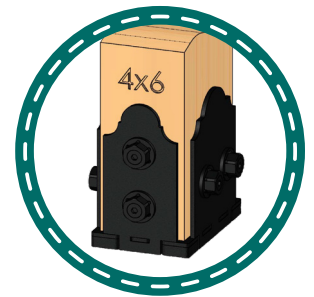
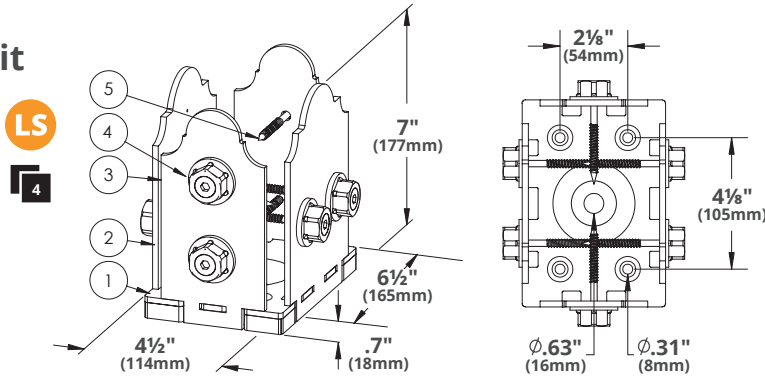
Item #: 56604 (4X6-PB-LS)

MSRP: \$59.49

Kit Includes:

- ① 1 Post Base Plate
- ② 2 6" Decorative Plates
- ③ 2 4" Decorative Plates
- ④ 8 Hex Cap Nuts
- ⑤ 8 2¾" OWT Timber Screws

7.91 lbs 3.58 kg



Adjustable To Fit All Standard 4"x 6" Posts (3½" to 4" x 5½" to 6")

6"x 6" Post Base Kit

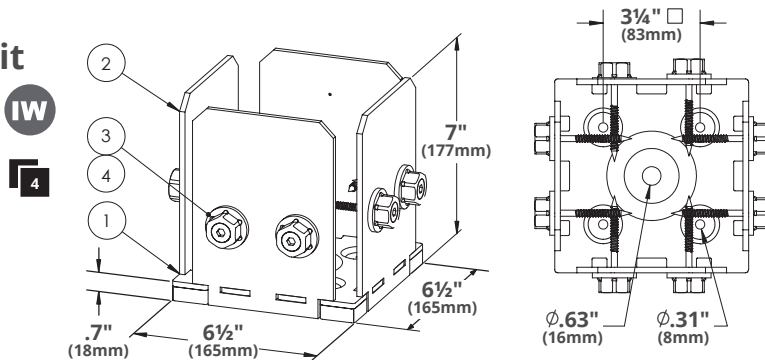
Item #: 51708 (6X6-PB-IW)

MSRP: \$59.49

Kit Includes:

- ① 1 Post Base Plate
- ② 4 Decorative Plates
- ③ 8 Hex Cap Nuts
- ④ 8 2¾" OWT Timber Screws

10 lbs 4.58 kg



Adjustable To Fit All Standard 6"x 6" Posts (5½" to 6")

6"x 6" Post Base Kit

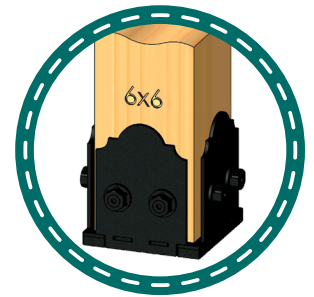
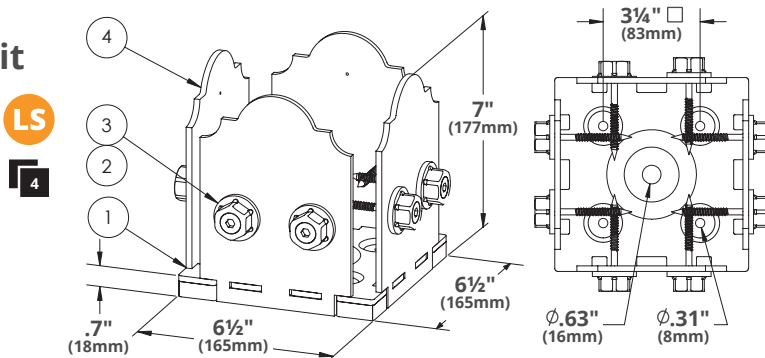
Item #: 56608 (6X6-PB-LS)

MSRP: \$59.49

Kit Includes:

- ① 1 Post Base Plate
- ② 4 Decorative Plates
- ③ 8 Hex Cap Nuts
- ④ 8 2¾" OWT Timber Screws

10 lbs 4.58 kg



Adjustable To Fit All Standard 6"x 6" Posts (5½" to 6")



Post Base installation in concrete, use a ¼" bolt through the center base hole.



Scan to Watch This Product's Video



G-PC

ACQ

GRC





Project #342



6"x6" Post Base

Plus (2) 2x4 Saddles
Item #: 51772 (6X6-TRS-IW)

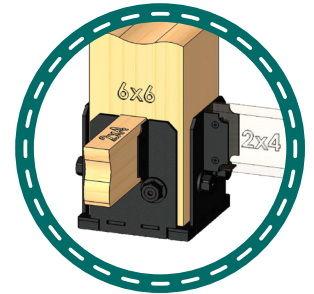
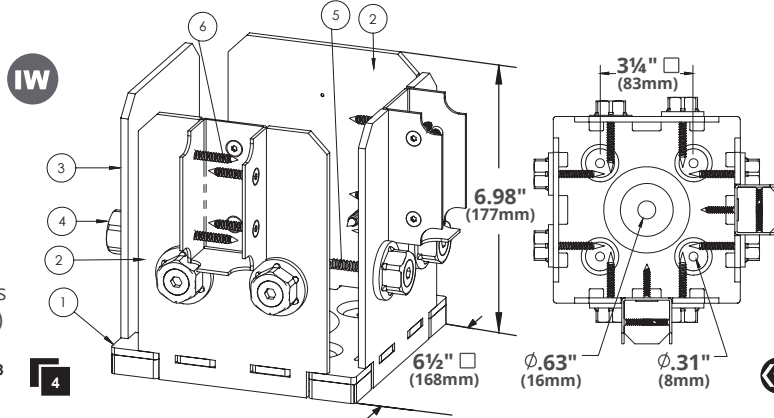
MSRP: \$70.69

Kit Includes:

- 1 Base Plate
- 2 Rail Saddle Plates
- 2 Standard Plates
- 8 Hex Cap Nuts
- 8 2¾" OWT Timber Screws
- 12 #12 x 1-¼ Torx HD (T25)



10.10 lbs 4.58 kg



Adjustable To Fit All Standard 6"x 6" Posts (5½" to 6")

6"x6" Post Base

Plus (2) 2x4 Saddles
Item #: 56672 (6X6-TRS-LS)

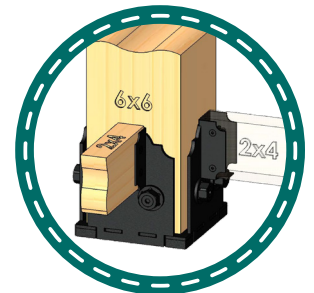
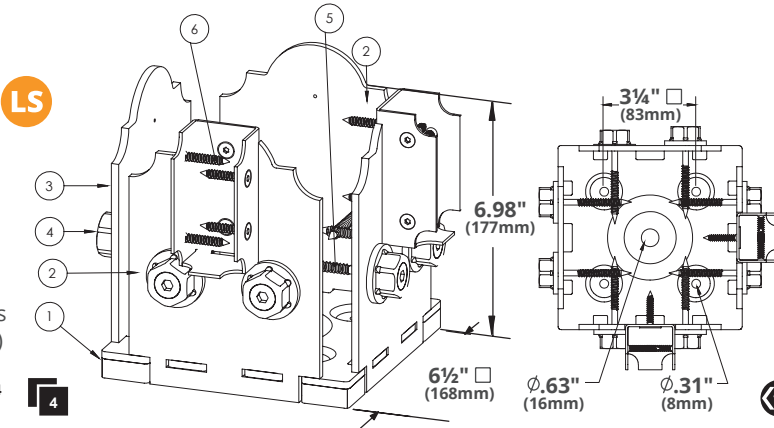
MSRP: \$70.69

Kit Includes:

- 1 Base Plate
- 2 Rail Saddle Plates
- 2 Standard Plates
- 8 Hex Cap Nuts
- 8 2¾" OWT Timber Screws
- 12 #12 x 1-¼ Torx HD (T25)



9.34 lbs 4.24 kg



Adjustable To Fit All Standard 6"x 6" Posts (5½" to 6")

6"x6" Post Base

Plus (1) 2x4 Saddle
Item #: 51771 (6X6-SRS-IW)

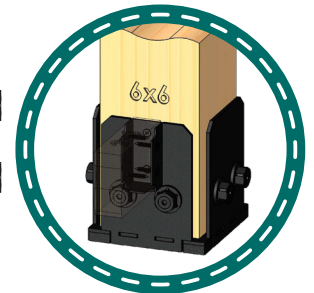
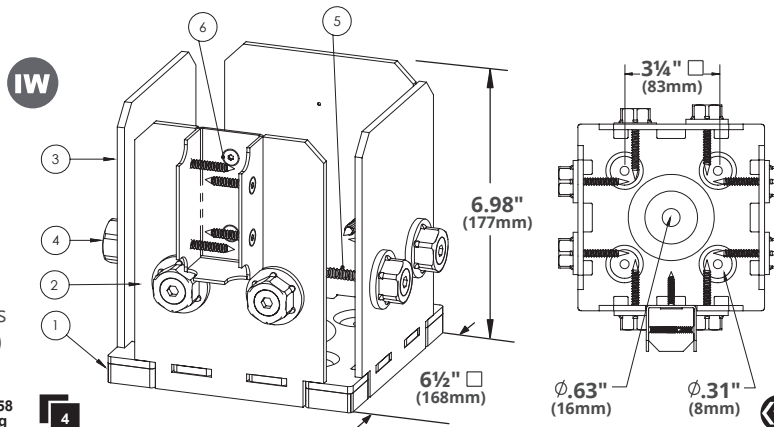
MSRP: \$67.89

Kit Includes:

- 1 Base Plate
- 1 Rail Saddle Plate
- 3 Standard Plates
- 8 Hex Cap Nuts
- 8 2¾" OWT Timber Screws
- 6 #12 x 1-¼ Torx HD (T25)



10.10 lbs 4.58 kg



Adjustable To Fit All Standard 6"x 6" Posts (5½" to 6")

6"x6" Post Base

Plus (1) 2x4 Saddle
Item #: 56671 (6X6-SRS-LS)

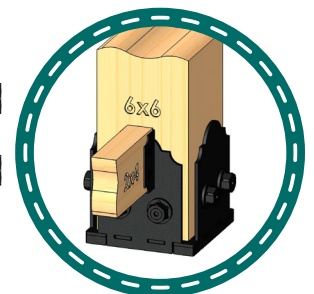
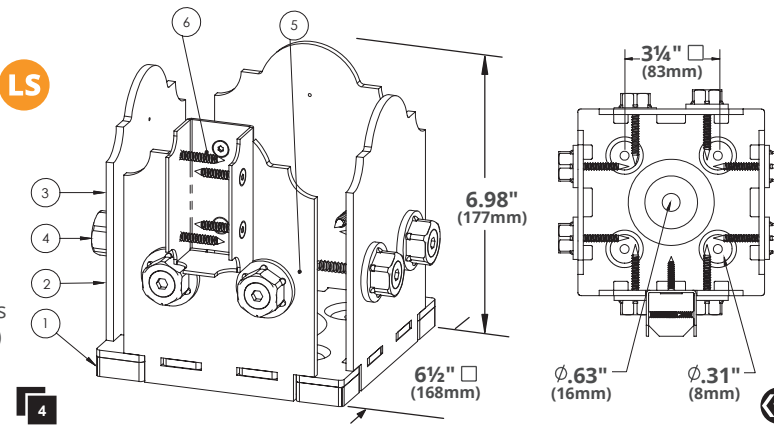
MSRP: \$67.89

Kit Includes:

- 1 Base Plate
- 1 Rail Saddle Plate
- 3 Standard Plates
- 8 Hex Cap Nuts
- 8 2¾" OWT Timber Screws
- 6 #12 x 1-¼ Torx HD (T25)



10.10 lbs 4.58 kg



Adjustable To Fit All Standard 6"x 6" Posts (5½" to 6")



G-PC

ACQ

GRC





Project #567

8"x 8" Post Base Kit

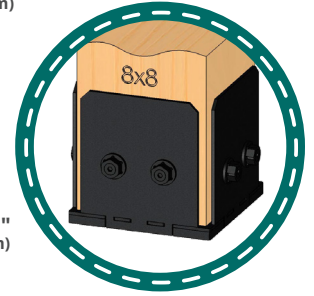
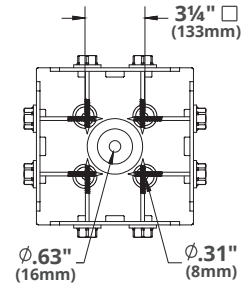
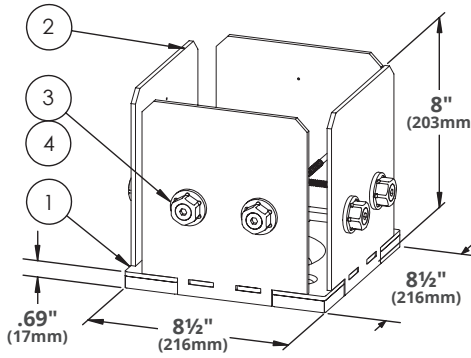
Item #: 51709 (8X8-PB-IW)

MSRP: \$87.99

Kit Includes:

- 1 Post Base Plate
- 4 Decorative Plates
- 8 Hex Cap Nuts
- 8 3/4" OWT Timber Screws

15.8 lbs 7.16 kg
 .20" 5mm
 250 lbs 113 kg



Adjustable To Fit All Standard 8"x 8" Posts (7 1/2" to 8")

8"x 8" Post Base Kit

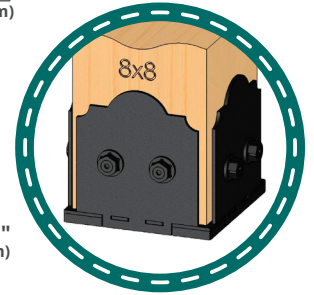
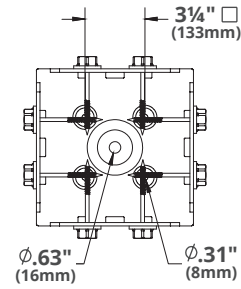
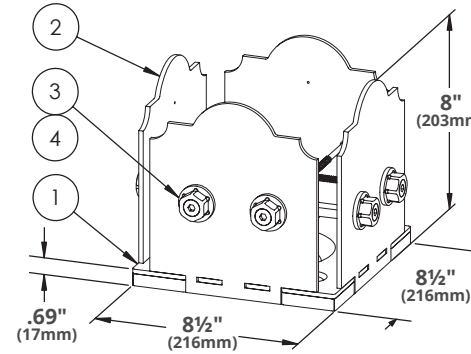
Item #: 56609 (8X8-PB-LS)

MSRP: \$87.99

Kit Includes:

- 1 Post Base Plate
- 4 Decorative Plates
- 8 Hex Cap Nuts
- 8 3/4" OWT Timber Screws

15.8 lbs 7.16 kg
 .20" 5mm
 250 lbs 113 kg



Adjustable To Fit All Standard 8"x 8" Posts (7 1/2" to 8")

10"x 10" Post Base Kit

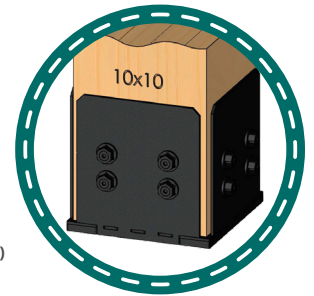
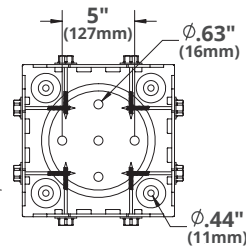
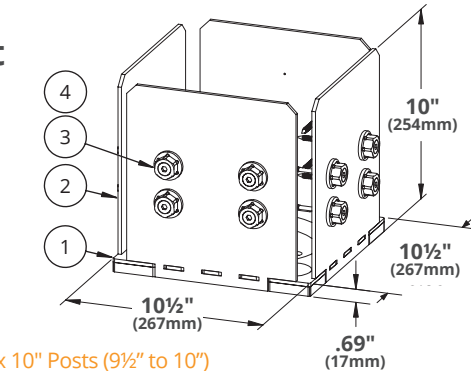
Item #: 51705 (10X10-PB-IW)

MSRP: \$150.69

Kit Includes:

- 1 Post Base Plate
- 4 Decorative Plates
- 16 Hex Cap Nuts
- 16 3/4" OWT Timber Screws

24.75 lbs 11.22 kg



Adjustable To Fit All Standard 10"x 10" Posts (9 1/2" to 10")

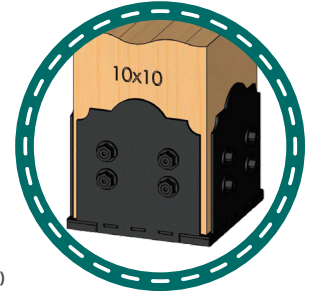
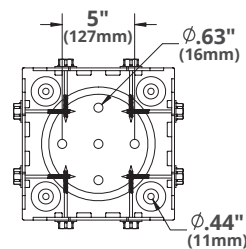
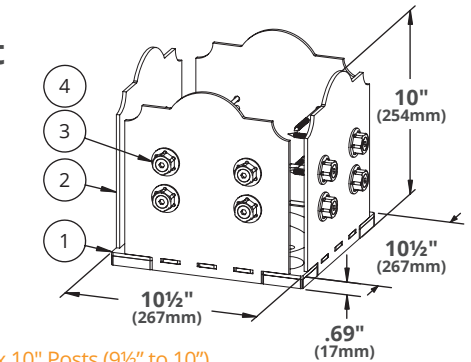
10"x 10" Post Base Kit

Item #: 56605 (10X10-PB-LS)

MSRP: \$150.69

Kit Includes:

- 1 Post Base Plate
- 4 Decorative Plates
- 16 Hex Cap Nuts
- 16 3/4" OWT Timber Screws



Adjustable To Fit All Standard 10"x 10" Posts (9 1/2" to 10")



Post Base installation in concrete, use a 7/16" bolt through the center base hole.



Scan to Watch This Product's Video



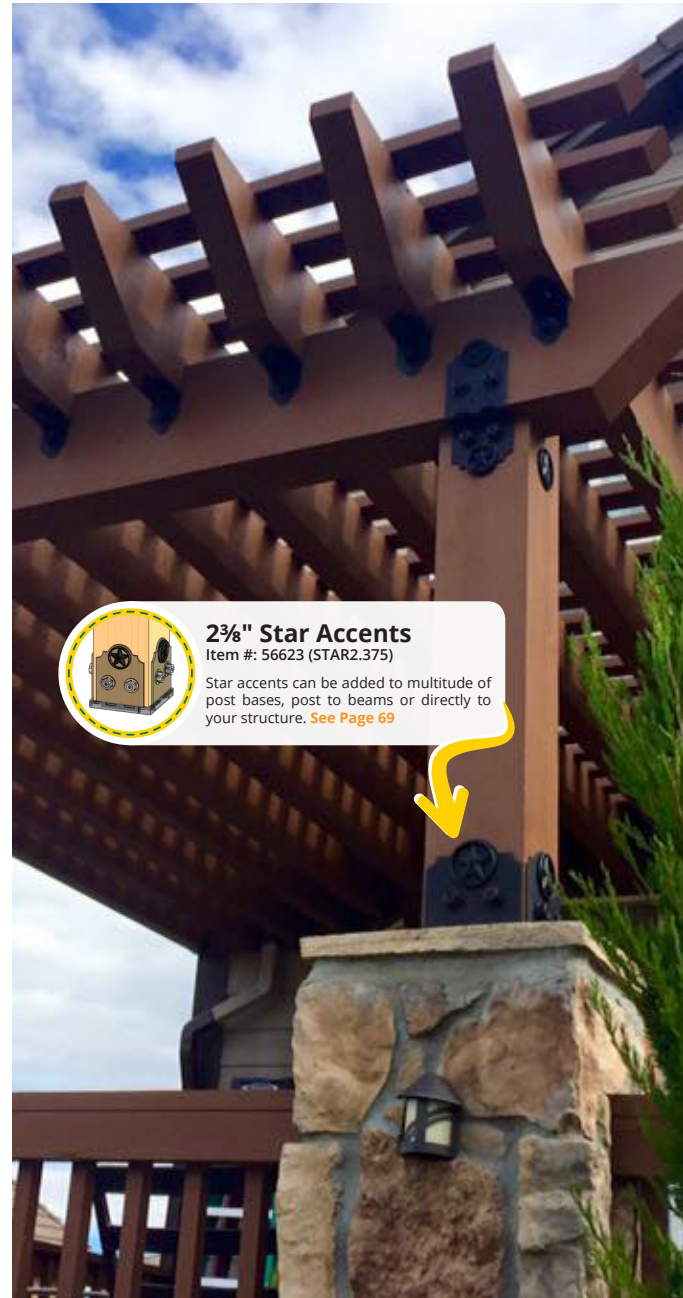
G-PC

ACQ

CRC



.20" 5mm



6x6 Faux Post Base Plates IW

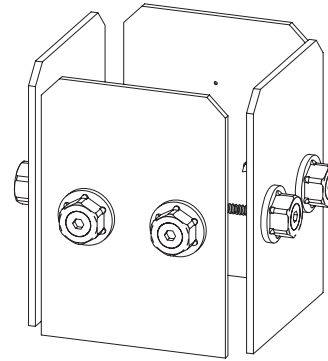
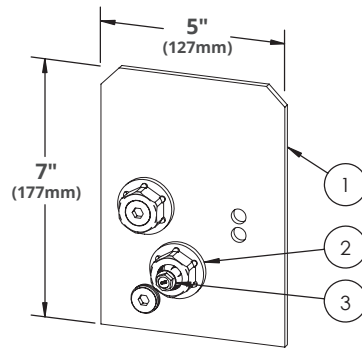
Item #: 51790 (6X6-FPB-IW)

MSRP: \$50.19

Kit Includes:

- 1 4 6x6 Decorative Plates
- 2 8 Hex Cap Nuts
- 3 8 1 3/4" OWT Timber Screws

7.44 lbs 3.37 kg 6



6x6 Faux Post Base Plates LS

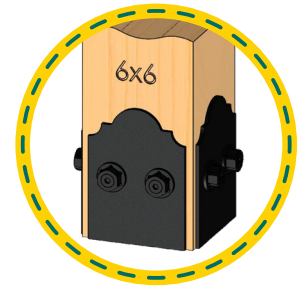
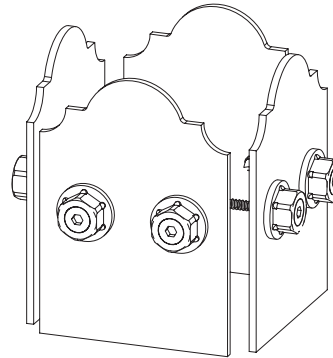
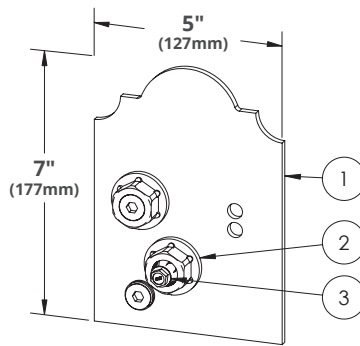
Item #: 56690 (6X6-FPB-LS)

MSRP: \$50.19

Kit Includes:

- 1 4 6x6 Decorative Plates
- 2 8 Hex Cap Nuts
- 3 8 1 3/4" OWT Timber Screws

7.44 lbs 3.37 kg 6



8x8 Faux Post Base Plates IW

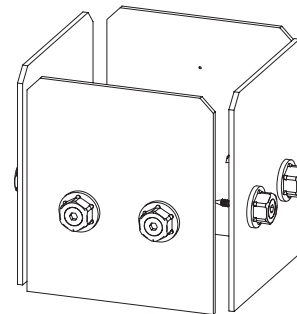
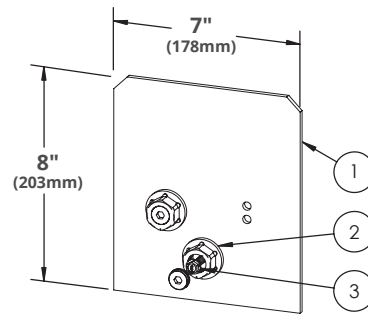
Item #: 51791 (8X8-FPB-IW)

MSRP: \$73.49

Kit Includes:

- 1 4 8x8 Decorative Plates
- 2 8 Hex Cap Nuts
- 3 8 1 3/4" OWT Timber Screws

11.54 lbs 5.23 kg 4



8x8 Faux Post Base Plates LS

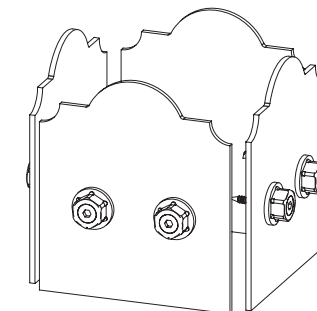
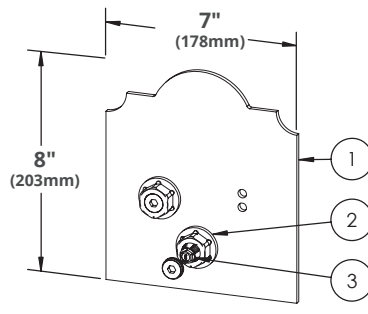
Item #: 56691 (8X8-FPB-LS)

MSRP: \$73.49

Kit Includes:

- 1 4 8x8 Decorative Plates
- 2 8 Hex Cap Nuts
- 3 8 1 3/4" OWT Timber Screws

11.54 lbs 5.23 kg 4



Faux Post Base kits work great on deck posts and are easy to install or retrofit onto existing posts.



Scan to Watch This Product's Video



G-PC

ACQ

CRC



.20" 5mm



Project #836

Wine Glass Holder

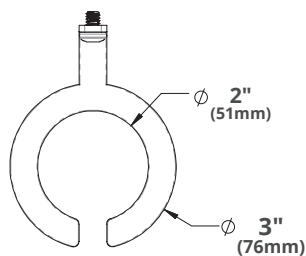
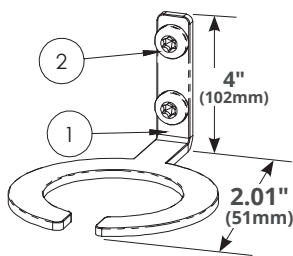
Item #: 57703 (HA-WGH)

MSRP: \$5.59

Kit Includes:

- 1 Wine Glass Holder
- 2 1/4"-20 Button Head Screws

.35 lbs .16 kg 10



4"x 4" Post Band

Item #: 51783 (4X4-BND-IW)

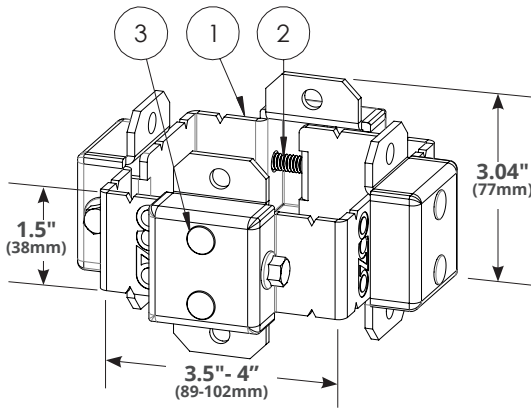
MSRP: \$25.59

Kit Includes:

- ① 1 4x4 Clamp Assembly
- ② 4 Screws, ¼"-20x1½, Stainless Steel
- ③ 8 Plug, Metal Round for ¼" hole

1.85 lbs 0.84 kg 7 .20" 5mm

Adjustable To Fit All Standard 4"x 4" Posts (3½" to 4")



6"x 6" Post Band

Item #: 51786 (6x6-BND-IW)

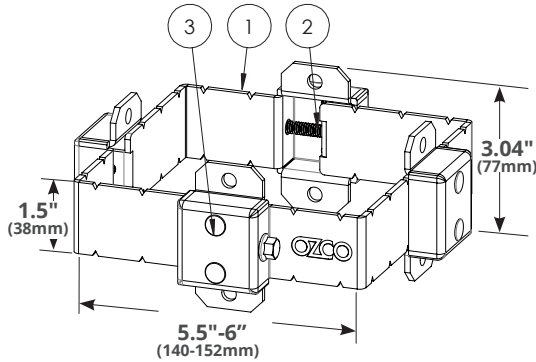
MSRP: \$27.89

Kit Includes:

- ① 1 6x6 Clamp Assembly
- ② 4 Screws, ¼"-20x1½, Stainless Steel
- ③ 8 Plug, Metal Round for ¼" hole

2.34 lbs 1.06 kg 7 .20" 5mm

Adjustable To Fit All Standard 6"x 6" Posts (5½" to 6")



8"x 8" Post Band

Item #: 51787 (8X8-BND-IW)

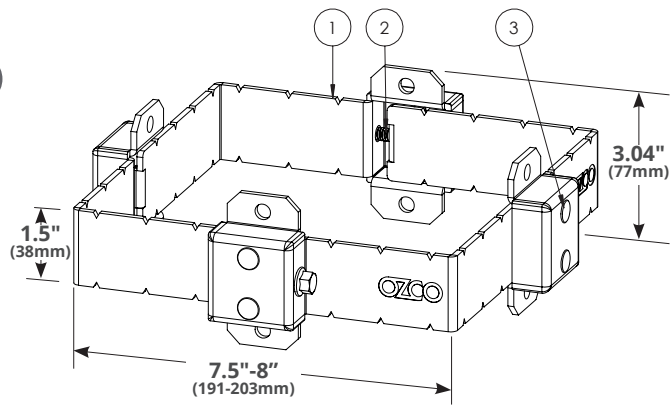
MSRP: \$32.99

Kit Includes:

- ① 1 8x8 Clamp Assembly
- ② 4 Screws, ¼"-20x1½, Stainless Steel
- ③ 8 Plug, Metal Round for ¼" hole

2.8 lbs 1.27 kg 7 .20" 5mm

Adjustable To Fit All Standard 8"x 8" Posts (7½" to 8")



Plant Hanger

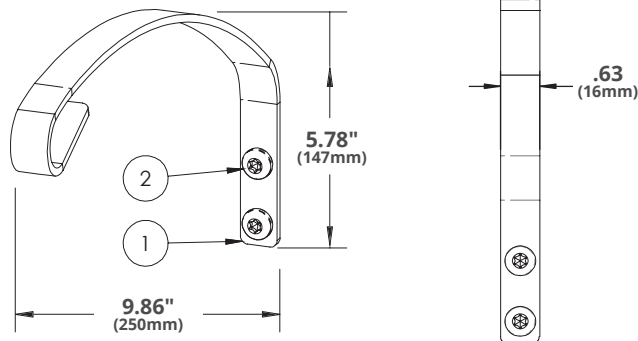
Item #: 57704 (HA-PH)

MSRP: \$9.29

Kit Includes:

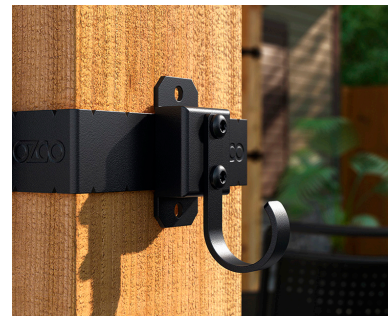
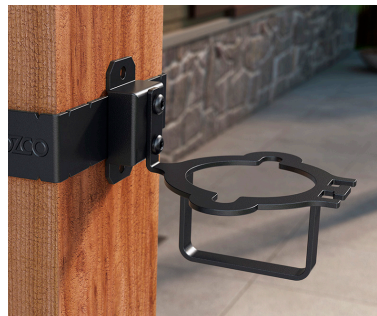
- ① 2 Plant Hanger
- ② 4 1/4"-20 Button Head Screws

.83 lbs 0.38 kg 10





Project #630



Wine Bottle Holder

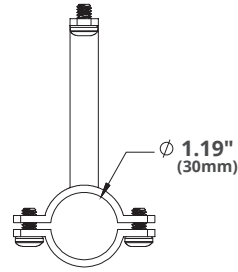
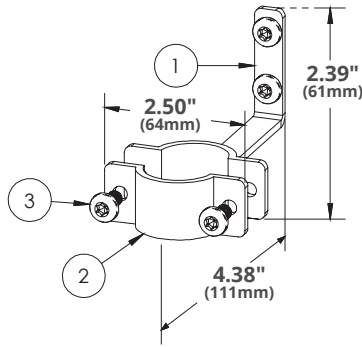
Item #: 57705 (HA-WBH)

MSRP: \$7.39

Kit Includes:

- 1 Wine Bottle Holder
- 1 Wine Bottle Holder Cap
- 4 1/4"-20 Button Head Screws

2.43 lbs 1.10 kg 10



Shackle

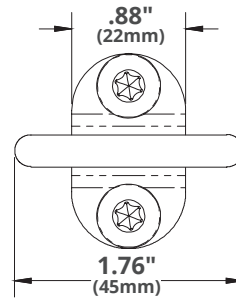
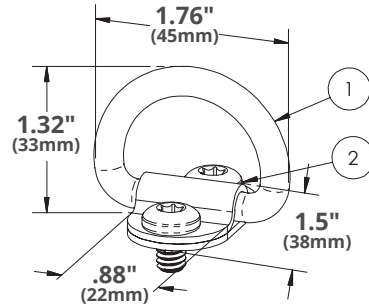
Item #: 57706 (HA-SHK)

MSRP: \$7.39

Kit Includes:

- 2 Shackles
- 4 1/4"-20 Button Head Screws

.29 lbs .13 kg 20



Can / Cell Phone Holder

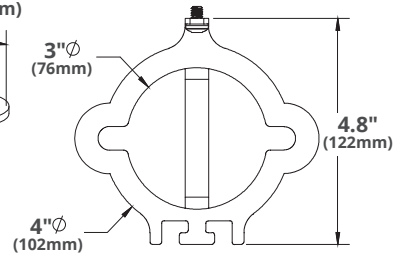
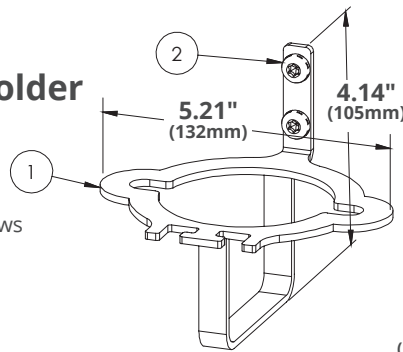
Item #: 57707 (HA-DCH)

MSRP: \$11.19

Kit Includes:

- 1 Can / Cell Holder
- 2 1/4"-20 Button Head Screws

.85 lbs .39 kg 8



Towel Hook

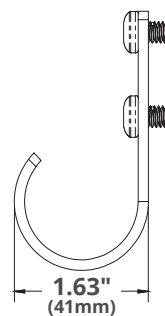
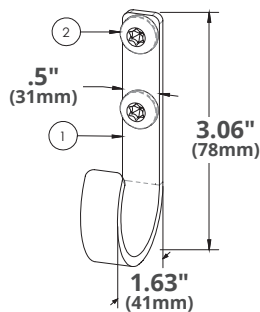
Item #: 57708 (HA-TH)

MSRP: \$8.39

Kit Includes:

- 2 Towel Hook
- 4 1/4"-20 Button Head Screws

.27 lbs .12 kg 20







Project #334





Project #394



4"x 4" Column Cap

IW

Item #: 51778 (4X4-CAP-IW)

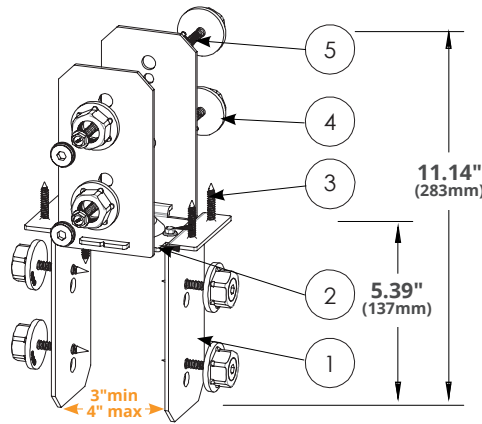
MSRP: \$30.69

Kit Includes:

- 1 4 Plates
- 2 1 Base Plate
- 3 6 OWT-Lock #12 x 1-1/4 Hex HD Sharp Point (1/4" Hex)
- 4 8 Hex Cap Nuts
- 5 8 1 3/4" OWT Timber Screws

3.64 lbs 1.65 kg 10

Can be used with Two 2X's or a Full 4X piece of lumber and can be adjusted from 3" up to 4".



4"x 4" Column Cap

LS

Item #: 56678 (4X4-CAP-LS)

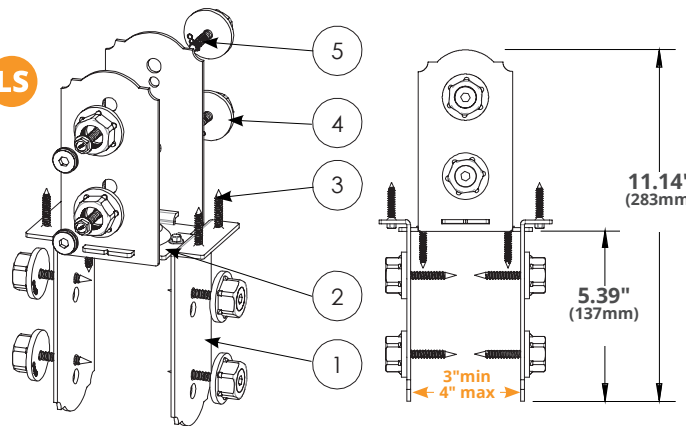
MSRP: \$30.69

Kit Includes:

- 1 4 Plates
- 2 1 Base Plate
- 3 6 OWT-Lock #12 x 1-1/4 Hex HD Sharp Point (1/4" Hex)
- 4 8 Hex Cap Nuts
- 5 8 1 3/4" OWT Timber Screws

3.57 lbs 1.62 kg 10

Can be used with Two 2X's or a Full 4X piece of lumber and can be adjusted from 3" up to 4".



6"x 6" Column Cap

IW

Item #: 51779 (6X6-CAP-IW)

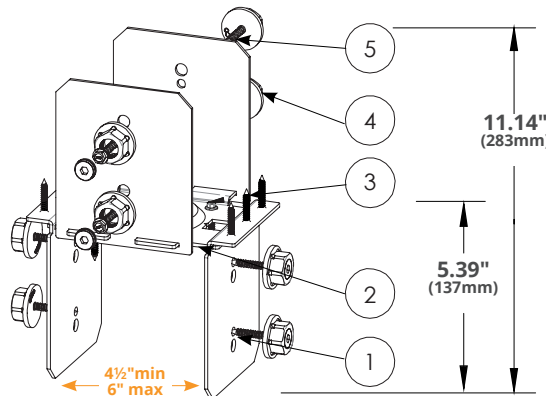
MSRP: \$39.99

Kit Includes:

- 1 4 Plates
- 2 1 Base Plate
- 3 6 OWT-Lock #12 x 1-1/4 Hex HD Sharp Point (1/4" Hex)
- 4 8 Hex Cap Nuts
- 5 8 1 3/4" OWT Timber Screws

5.91 lbs 2.68 kg 10

Can be used with Three 2X's or a Full 6X piece of lumber and can be adjusted from 4 1/2" up to 6".



6"x 6" Column Cap

LS

Item #: 56679 (6X6-CAP-LS)

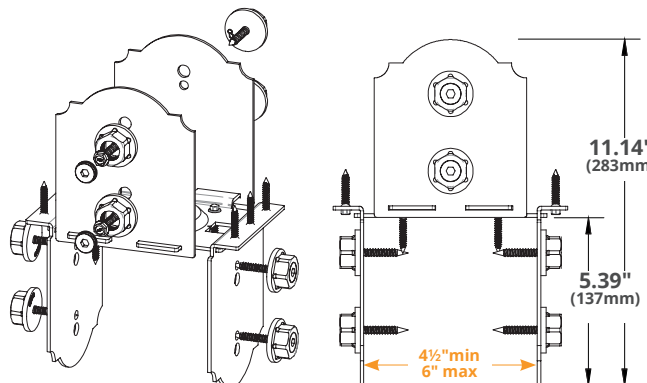
MSRP: \$39.99

Kit Includes:

- 1 4 Plates
- 2 1 Base Plate
- 3 6 OWT-Lock #12 x 1-1/4 Hex HD Sharp Point (1/4" Hex)
- 4 8 Hex Cap Nuts
- 5 8 1 3/4" OWT Timber Screws

5.61 lbs 2.55 kg 10

Can be used with Three 2X's or a Full 6X piece of lumber and can be adjusted from 4 1/2" up to 6".





!! OZCO Post to Beams
Excellent quality, strong & beautiful finishing touch! !!
 John W. ~ Verified Buyer



4" Post to Beam **IW**

Item #: 51775 (P2B-IW-4)

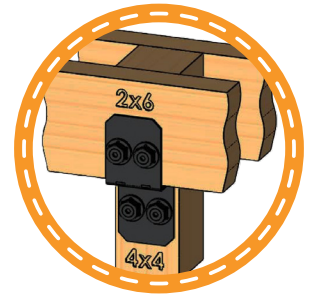
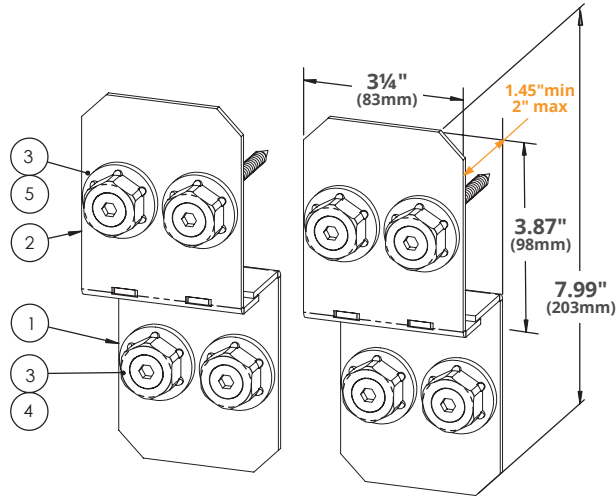
MSRP: \$35.29

Kit Includes:

- 1 2 Post Ledge Bases
- 2 2 Top Cover Plates
- 3 8 Hex Cap Nuts
- 4 4 1 3/4" OWT Timber Screws
- 5 4 3 3/4" OWT Timber Screws



Adjustable To Fit All Standard 2" Boards (1.45" to 2")



4" Post to Beam **LS**

Item #: 56675 (P2B-LS-4)

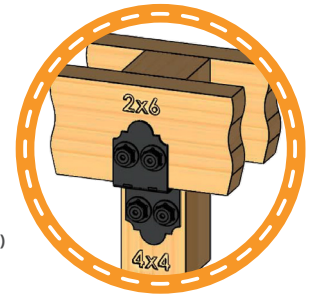
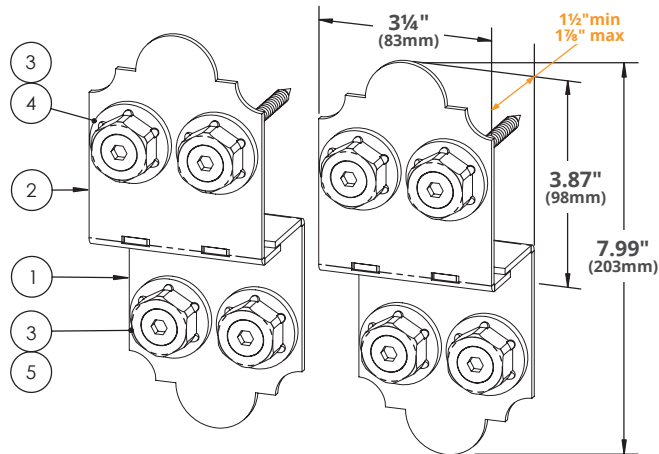
MSRP: \$35.29

Kit Includes:

- 1 2 Post Ledge Bases
- 2 2 Top Cover Plates
- 3 8 Hex Cap Nuts
- 4 4 1 3/4" OWT Timber Screws
- 5 4 3 3/4" OWT Timber Screws



Adjustable To Fit All Standard 2" Boards (1 1/2" to 1 7/8")



6" Post to Beam **IW**

Item #: 51735 (P2B-IW-6)

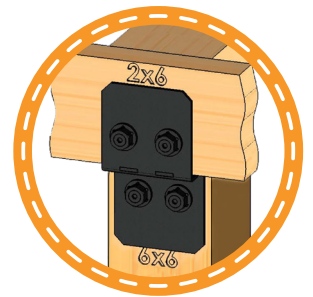
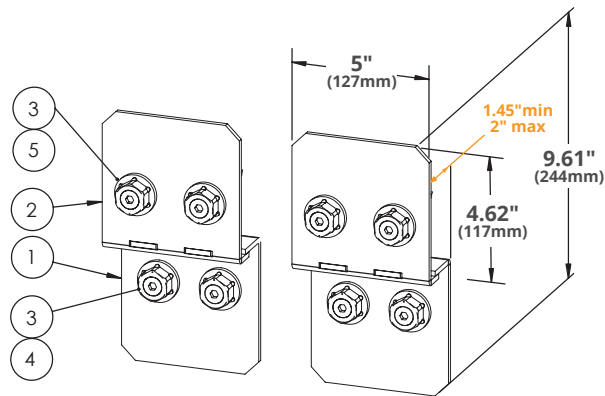
MSRP: \$52.99

Kit Includes:

- 1 2 Post Ledge Bases
- 2 2 Top Cover Plates
- 3 8 Hex Cap Nuts
- 4 4 3 3/4" OWT Timber Screws
- 5 4 2 3/4" OWT Timber Screws



Adjustable To Fit All Standard 2" Boards (1.45" to 2")



6" Post to Beam **LS**

Item #: 56635 (P2B-LS-6)

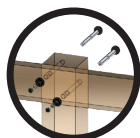
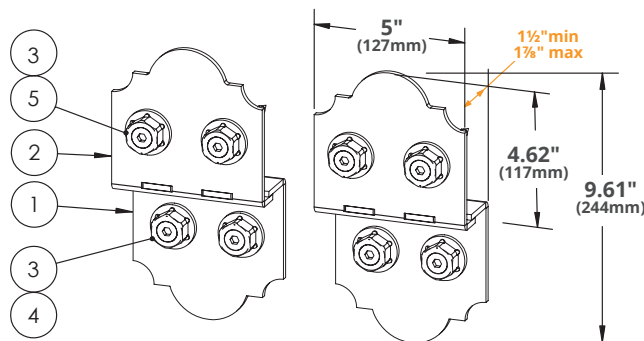
MSRP: \$52.99

Kit Includes:

- 1 2 Post Ledge Bases
- 2 2 Top Cover Plates
- 3 8 Hex Cap Nuts
- 4 4 3 3/4" OWT Timber Screws
- 5 4 2 3/4" OWT Timber Screws



Adjustable To Fit All Standard 2" Boards (1 1/2" to 1 7/8")

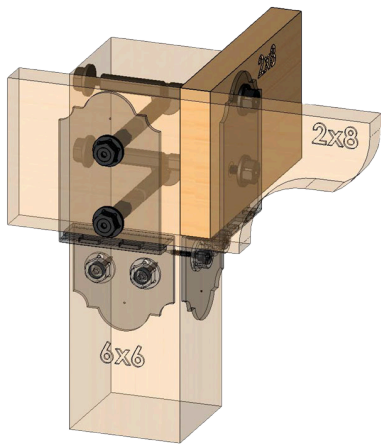


Some Post to Beams require the patented technology of the OWT Timber Bolts for proper installation, see page 74.

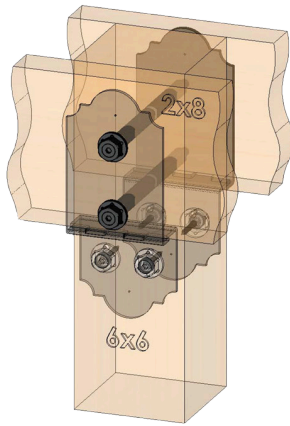




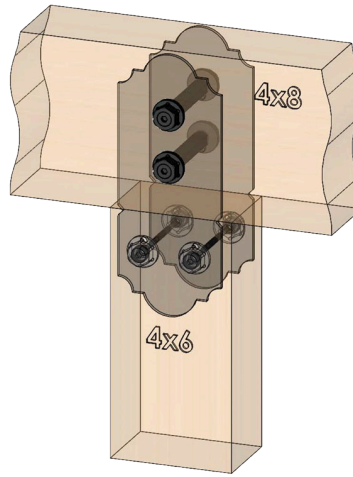
OWT Timber Bolts Typical Installation Options Post To Beams



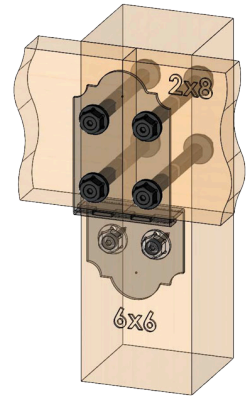
Bolt Offset



Bolt Inline

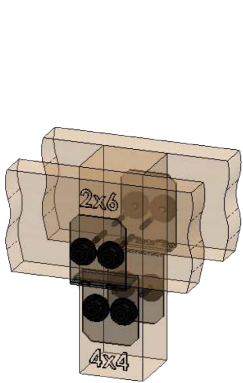


Flush

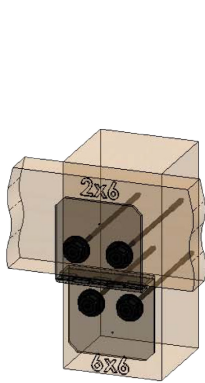


Coupler

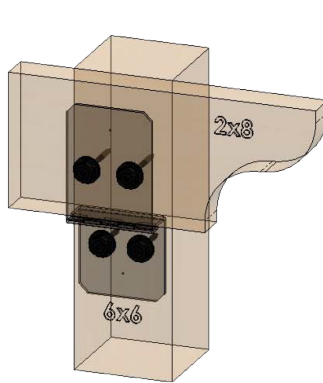
OWT Timber Screws Typical Installation Options Post To Beams & Hex Cap Nuts



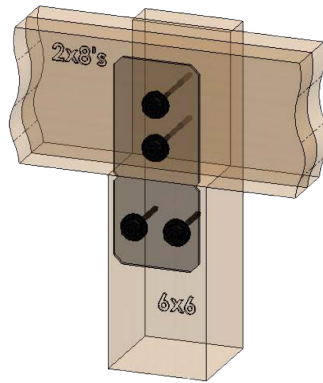
4"



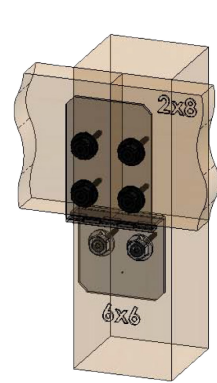
6"



8"



Flush



Coupler

The Post to Beams (see pages 37–41) are designed to accommodate the OWT Timber Bolts or Timber Screws when connecting the top plate. The Hex Cap Nuts & Screws included are for the 2 bottom plates. **The Timber Screws, Hex Cap Nuts and OWT Timber Bolts are All SOLD SEPARATELY** to allow for varying size lumber depending on your particular project needs. OWT Timber Bolts are adjustable up to 2 inches, range in size from 1½-4" up to 10-12". See pages 70-79 for all available fasteners and lengths.

Additional Timber Bolts or Screws Are REQUIRED and SOLD SEPARATELY.
See Pages 70-79 for all available lengths.

Bolt Offset

Item #: 51736 (P2B-BO-IW)

MSRP: \$44.19

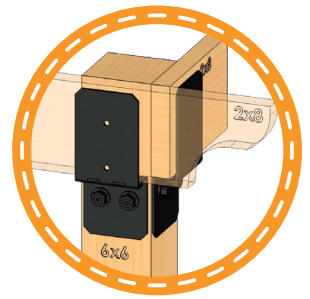
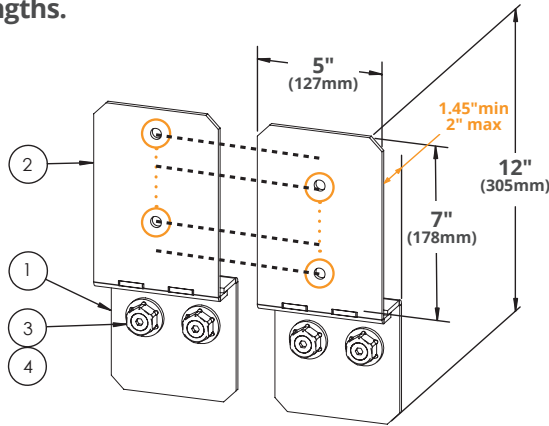
Kit Includes:



- 1 2 Post Ledge Bases
- 2 2 Top Plates, 1 Bolt Offset & 1 Inline
- 3 4 Hex Cap Nuts
- 4 4 2¾" OWT Timber Screws

7.8 lbs 3.53 kg

Adjustable To Fit All Standard 2" Boards (1.45" to 2")



Bolt Offset

Item #: 56636 (P2B-BO-LS)

MSRP: \$44.19

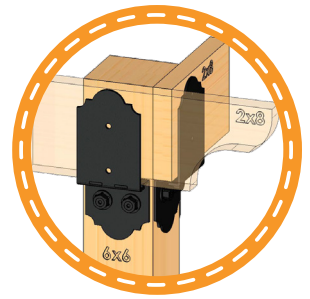
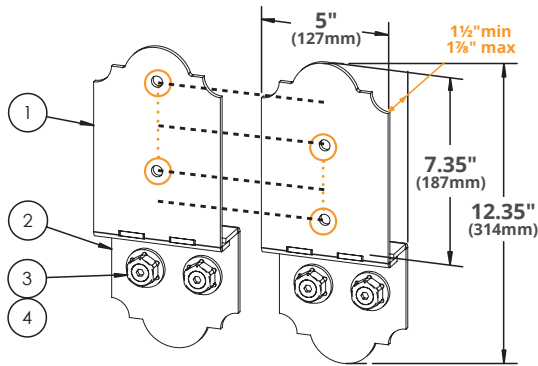
Kit Includes:



- 1 2 Post Ledge Bases
- 2 2 Top Plates, 1 Bolt Offset & 1 Inline
- 3 4 Hex Cap Nuts
- 4 4 2¾" OWT Timber Screws

7.8 lbs 3.53 kg

Adjustable To Fit All Standard 2" Boards (1½" to 1⅞")



Bolt Inline

Item #: 51737 (P2B-BI-IW)

MSRP: \$44.19

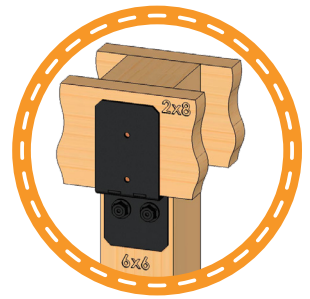
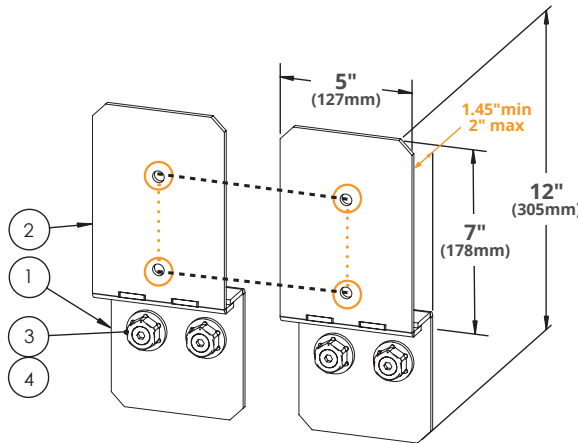
Kit Includes:



- 1 2 Post Ledge Bases
- 2 2 Top Plates, Bolt Inline
- 3 4 Hex Cap Nuts
- 4 4 2¾" OWT Timber Screws

7.8 lbs 3.53 kg

Adjustable To Fit All Standard 2" Boards (1.45" to 2")



Bolt Inline

Item #: 56637 (P2B-BI-LS)

MSRP: \$44.19

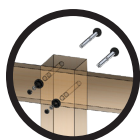
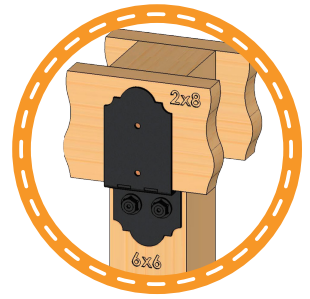
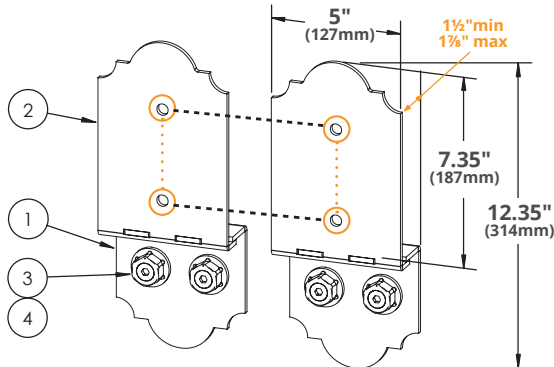
Kit Includes:



- 1 2 Post Ledge Bases
- 2 2 Top Plates, Bolt Inline
- 3 4 Hex Cap Nuts
- 4 4 2¾" OWT Timber Screws

7.8 lbs 3.53 kg

Adjustable To Fit All Standard 2" Boards (1½" to 1⅞")



OWT Timber Bolts or Screws
Are **REQUIRED** and **SOLD SEPARATELY.**
See Pages 70-79 for all available lengths.



G-PC

ACQ

CRC

¾"

¾"

¾"

20"

5mm

8" Post to Beam

Item #: 51710 (P2B-IW-8)

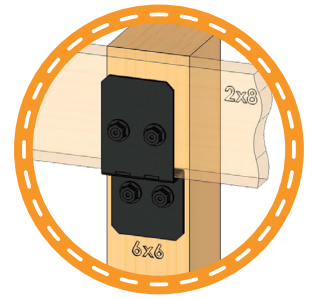
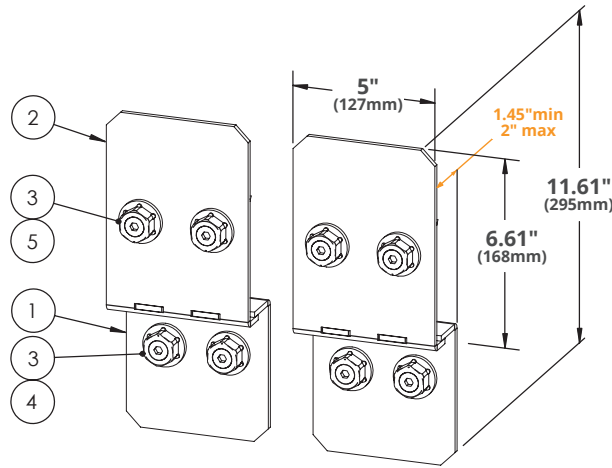
MSRP: \$53.89

Kit Includes:

- 1 2 Post Ledge Bases
- 2 2 Top Cover Plates
- 3 8 Hex Cap Nuts
- 4 4 3/4" OWT Timber Screws
- 5 4 2 3/4" OWT Timber Screws

7.8 lbs 3.53 kg

Adjustable To Fit All Standard 2" Boards (1.45" to 2")



8" Post to Beam

Item #: 56610 (P2B-LS-8)

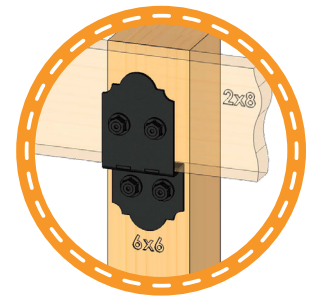
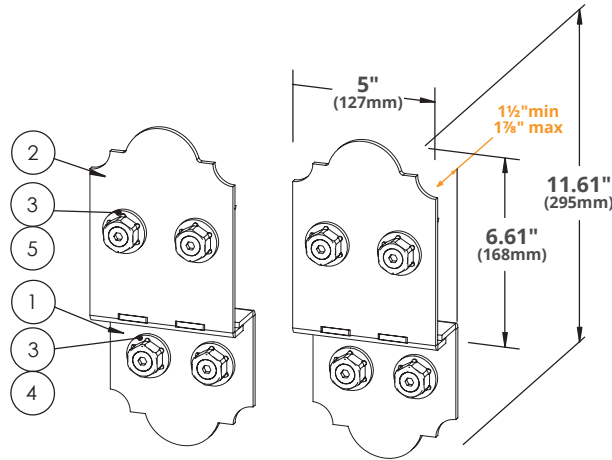
MSRP: \$53.89

Kit Includes:

- 1 2 Post Ledge Bases
- 2 2 Top Cover Plates
- 3 8 Hex Cap Nuts
- 4 4 3/4" OWT Timber Screws
- 5 4 2 3/4" OWT Timber Screws

7.8 lbs 3.53 kg

Adjustable To Fit All Standard 2" Boards (1 1/2" to 1 7/8")



Post to Beam - Amazing

What a nice way to finish off my deck and pergola with these ties. Not only are they a nice accent but they aide in the installation of the beams. Robert A. ~ Verified Buyer

Additional Timber Bolts or Screws Are REQUIRED and SOLD SEPARATELY.
See Pages 70-79 for all available lengths.

8" Post to Beam Flush

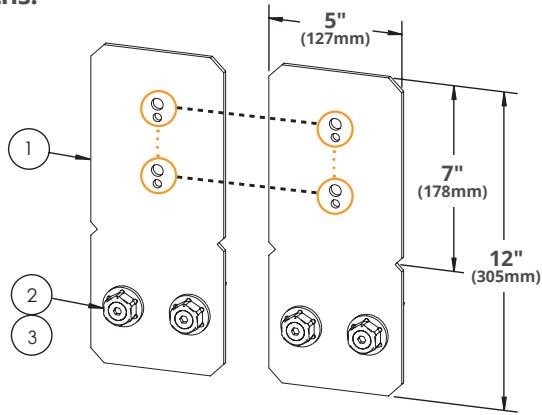
Item #: 51776 (P2B-IW-8F)

MSRP: \$33.49

Kit Includes:

- 1 2 Post Beam Plates
- 2 4 Hex Cap Nuts
- 3 4 3¾" OWT Timber Screws

6.38 lbs 2.89 kg



8" Post to Beam Flush

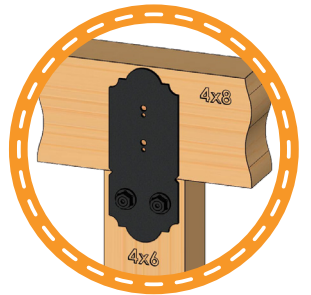
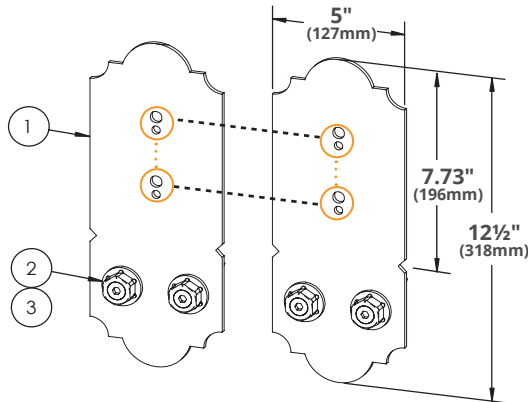
Item #: 56676 (P2B-LS-8F)

MSRP: \$33.49

Kit Includes:

- 1 2 Post Beam Plates
- 2 4 Hex Cap Nuts
- 3 4 3¾" OWT Timber Screws

6.38 lbs 2.89 kg



8" Post to Beam Coupler

Item #: 51777 (P2B-SB-IW)

MSRP: \$45.99

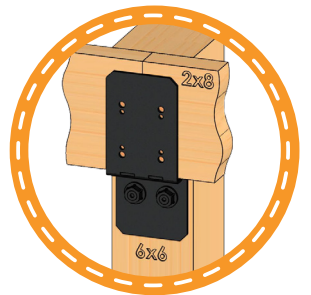
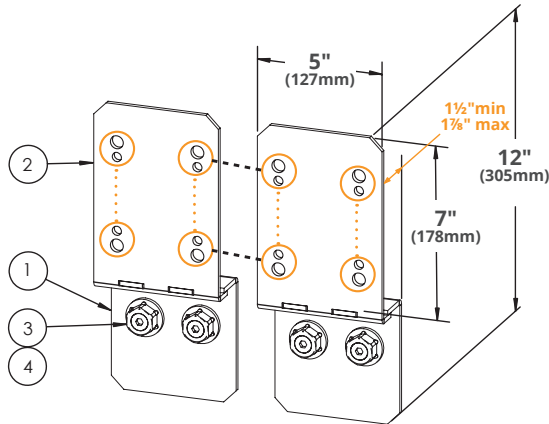
Kit Includes:

- 1 2 Post Ledge Bases
- 2 2 Top Cover Plates
- 3 4 Hex Cap Nuts
- 4 4 2¾" OWT Timber Screws

7.54 lbs 3.42 kg



Adjustable To Fit All Standard 2" Boards (1.45" to 2")



8" Post to Beam Coupler

Item #: 56677 (P2B-SB-LS)

MSRP: \$45.99

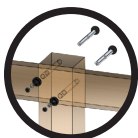
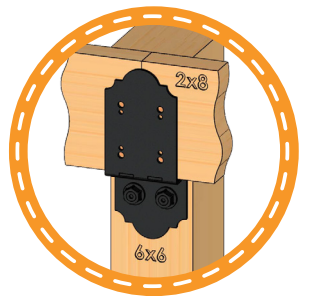
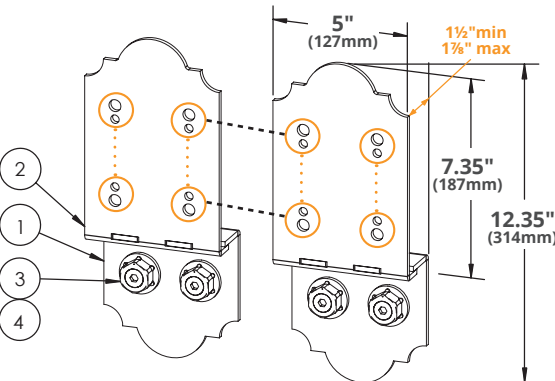
Kit Includes:

- 1 2 Post Ledge Bases
- 2 2 Top Cover Plates
- 3 4 Hex Cap Nuts
- 4 4 2¾" OWT Timber Screws

7.54 lbs 3.42 kg



Adjustable To Fit All Standard 2" Boards (1½" to 1¾")



OWT Timber Bolts or Screws
Are **REQUIRED** and **SOLD SEPARATELY.**
See Pages 70-79 for all available lengths.



G-PC

ACQ

CRC

¾"

¾"

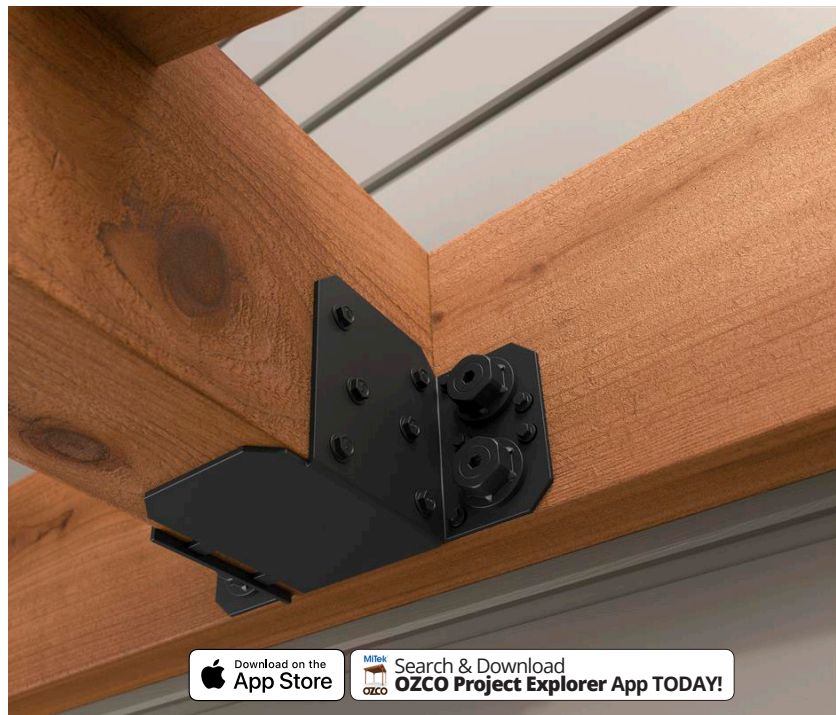
¾"

.20"

5mm



👍👍 **Joist Hangers Just what I needed!**
I'm so happy I found these fasteners for our pergola. I was searching online for something with a little more panache than galvanized hangers and fasteners and I found these. They're heavy duty, easy to assemble and they increase the value and look of our pergola. I couldn't be happier to have these attached to our house. 👍👍 Gary S. ~ Verified Buyer



6-8" Joist Hanger Flush

Item #: 51739 (JHF-68-IW)

MSRP: \$21.59

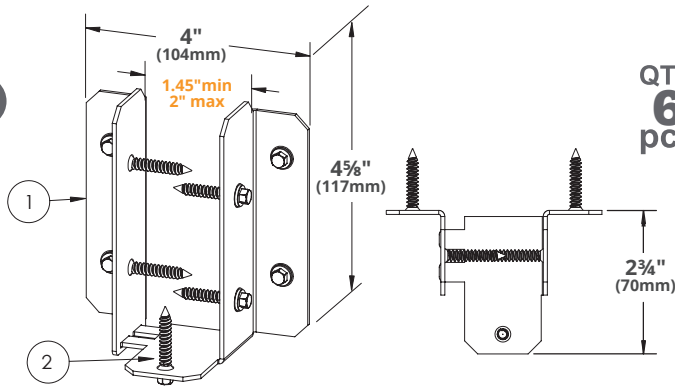
Kit Includes:

- ① 6 Hanger Connections
- ② 54 OWT-Lock #12 x 1-¼ Hex HD Sharp Point (¼" Hex)

IW

3.9 lbs 1.77 kg .0625" 1.6mm 7

Adjustable To Fit All Standard 2" Boards (1.45" to 2")



QTY
6
pcs

6-8" Joist Hanger Flush

Item #: 56639 (JHF-68-LS)

MSRP: \$21.59

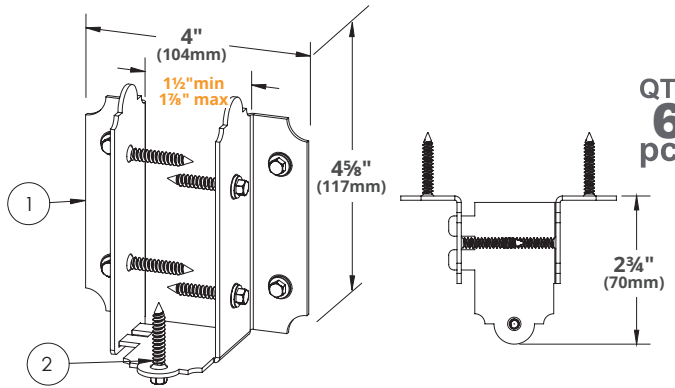
Kit Includes:

- ① 6 Hanger Connections
- ② 54 OWT-Lock #12 x 1-¼ Hex HD Sharp Point (¼" Hex)

LS

3.9 lbs 1.77 kg .0625" 1.6mm 7

Adjustable To Fit All Standard 2" Boards (1½" to 1¾")



QTY
6
pcs

6-8" Beam Hanger Flush

Item #: 51769 (BHF-68-IW)

MSRP: \$74.39

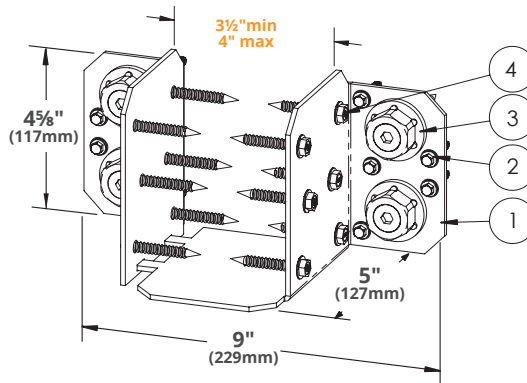
Kit Includes:

- ① 4 Hanger Connections
- ② 40 OWT-Lock #12 x 1-¼ Hex HD Sharp Point (¼" Hex)
- ③ 16 Hex Cap Nuts
- ④ 64 1¾" OWT Timber Screws

IW

12.32 lbs 5.58 kg .12" 3mm 3/8" 4

Adjustable To Fit All Standard 4" Boards (3½" to 4")



QTY
4
pcs

6-8" Beam Hanger Flush

Item #: 56669 (BHF-68-LS)

MSRP: \$74.39

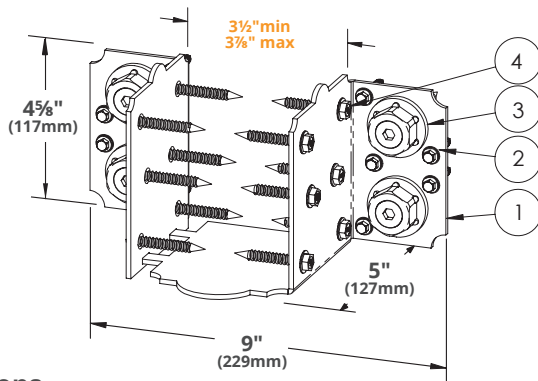
Kit Includes:

- ① 4 Hanger Connections
- ② 40 OWT-Lock #12 x 1-¼ Hex HD Sharp Point (¼" Hex)
- ③ 16 Hex Cap Nuts
- ④ 64 1¾" OWT Timber Screws

LS

12.32 lbs 5.58 kg .12" 3mm 3/8" 4

Adjustable To Fit All Standard 4" Boards (3½" to 3¾")



QTY
4
pcs



Testing Reports, Instructions & More Detail Specs

Visit the **OZCO** website
OZCOBuildingProducts.com





6-8" Joist Hanger Tab

Item #: 51740 (JHT-68-IW)

MSRP: \$30.19

Kit Includes:

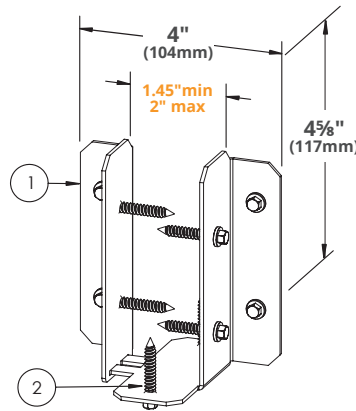
- 1 6 Hanger Connections
- 2 60 OWT-Lock #12 x 1-1/4 Hex HD Sharp Point (1/4" Hex)

IW

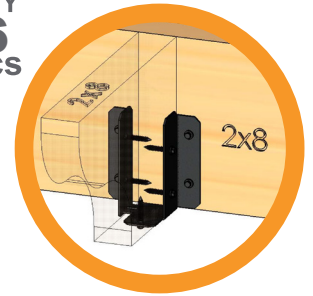
4.2 lbs 1.9 kg



Adjustable To Fit All Standard 2" Boards (1.45" to 2")



QTY
6
pcs



6-8" Joist Hanger Tab

Item #: 56640 (JHT-68-LS)

MSRP: \$30.19

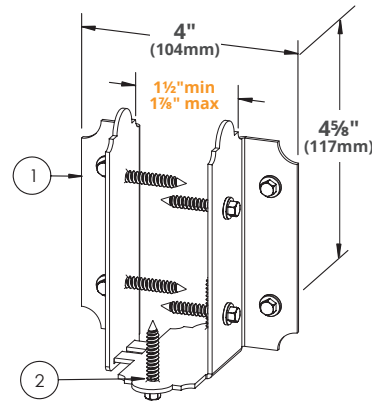
Kit Includes:

- 1 6 Hanger Connections
- 2 60 OWT-Lock #12 x 1-1/4 Hex HD Sharp Point (1/4" Hex)

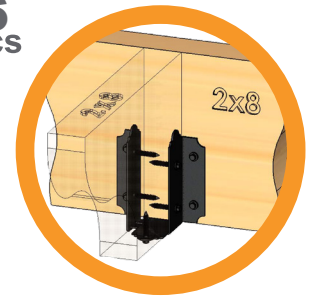
LS



Adjustable To Fit All Standard 2" Boards (1 1/2" to 1 3/4")



QTY
6
pcs



8-10" Joist Hanger Flush

Item #: 51770 (JHF-810-IW)

MSRP: \$37.19

Kit Includes:

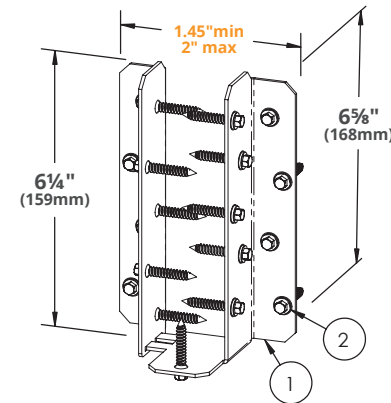
- 1 4 Hanger Connections
- 2 76 OWT-Lock #12 x 1-1/4 Hex HD Sharp Point (1/4" Hex)

IW

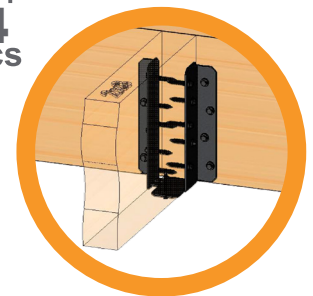
4.04 lbs 1.83 kg



Adjustable To Fit All Standard 2" Boards (1.45" to 2")



QTY
4
pcs



8-10" Joist Hanger Flush

Item #: 56670 (JHF-810-LS)

MSRP: \$37.19

Kit Includes:

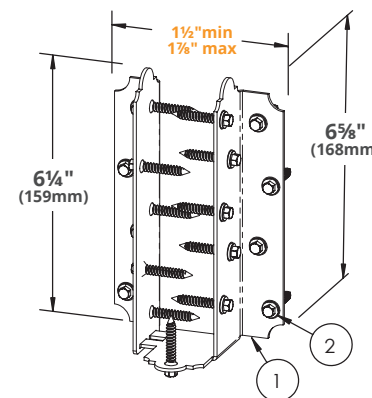
- 1 4 Hanger Connections
- 2 76 OWT-Lock #12 x 1-1/4 Hex HD Sharp Point (1/4" Hex)

LS

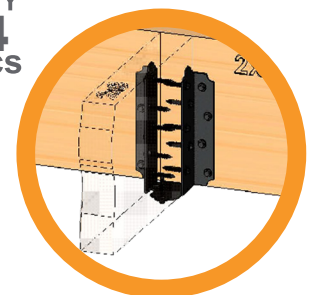
4.04 lbs 1.83 kg



Adjustable To Fit All Standard 2" Boards (1 1/2" to 1 3/4")



QTY
4
pcs



- Requires a 1/4" hex driver bit
- Exclusive high friction design
- No pre-drilling required

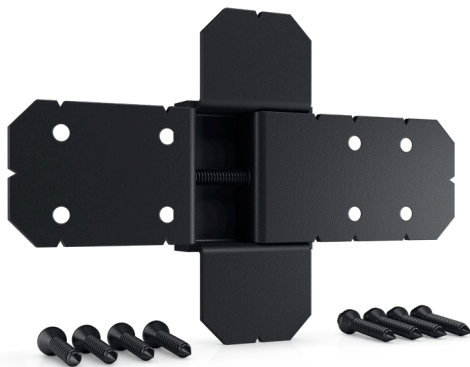


.0625" 1.6mm



Project #309

RAFTER SEAMS NEW for 2018



The OWT Rafter Seam™ is a specialty connector that is the first of its kind. Although it is useful for many types of connections one of the most common is to join rafters for curved top pergolas. A curved top structure is a real conversation piece, but conventional construction techniques have major limitations.

So how does it work? Start by cutting the rafters into the shape that you would like. Position the two boards tightly together, then position Rafter Seam™, using our stamped hash marks to align the seam. Install screws on both sides of the joint. Then tighten the bolt to snug the two pieces together. Repeat this process for the other side of the rafter with the bolt facing the opposite direction.



Rafter Seam

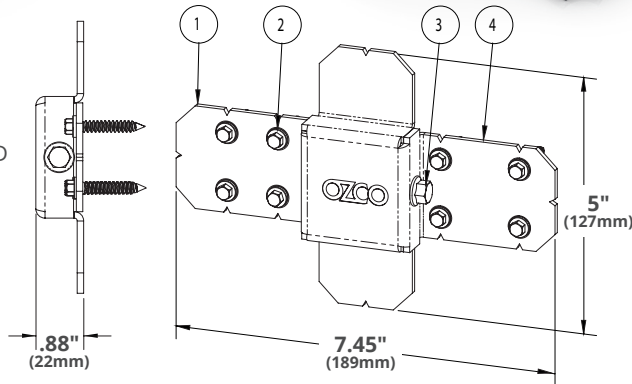
Item #: 51793 (RS-IW)

MSRP: \$17.29

Kit Includes:

- 1 2 Assembly Plate
- 2 16 OWT-Lock #12 x 1-¼ Hex HD Sharp Point (¼" Hex)
- 3 2 Tension Bolt
- 4 2 Assembly Base

2.22 lbs 1.01 kg 11



QTY
2
pcs



Rafter Seam

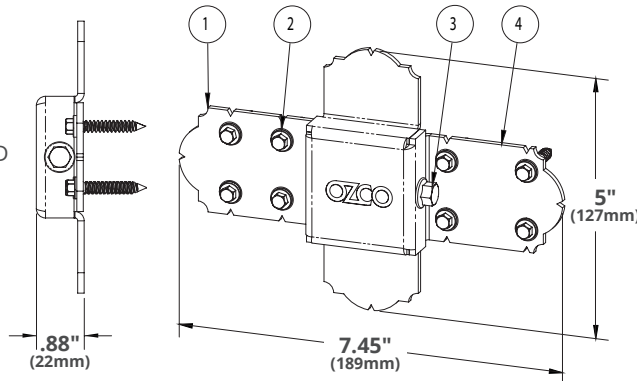
Item #: 56693 (RS-LS)

MSRP: \$17.29

Kit Includes:

- 1 2 Assembly Plate
- 2 16 OWT-Lock #12 x 1-¼ Hex HD Sharp Point (¼" Hex)
- 3 2 Tension Bolt
- 4 2 Assembly Base

2.01 lbs .91 kg 11



QTY
2
pcs





🔧 2" Rafter Clips, Post Bases

We recently installed a new arbor/patio cover in our back yard. We heard about the OZCO line through a friend and thought we would try it out. We were on the fence about trying it due to the added costs, but we decided to add them to our patio based on good reviews from some past clients. Adding these to our patio was the BEST decision we made! They took our patio from "nice" to "amazing" and a real show-stopper. Not only do they add reinforced structure, but they look great and really add an extra touch to take your patio to the next level. We've already received so many compliments and I would highly recommend investing in the parts when you build your patio. The hardware looks great and we could not be happier. 🙌

~ Online Customer

2" High Velocity Rafter Clips

Item #: 51738 (RC-IW-HV-2)

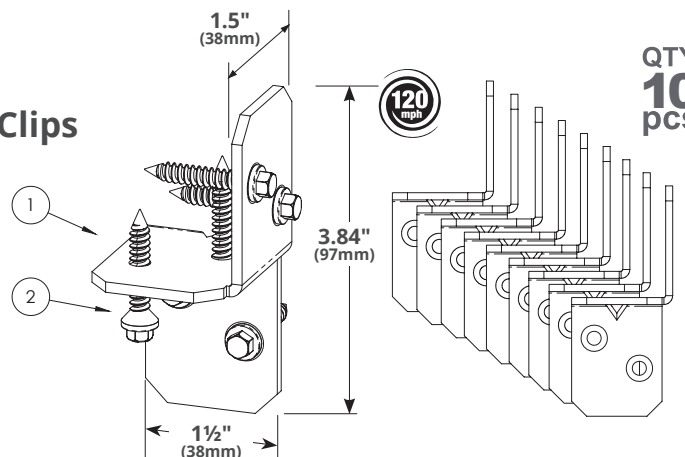
MSRP: \$30.69

Kit Includes:

- ① 10 2" Rafter Clips
- ② 60 OWT-Lock #12 x 1-¼ Hex HD Sharp Point (¼" Hex)



2.6 lbs 1.18 kg 8

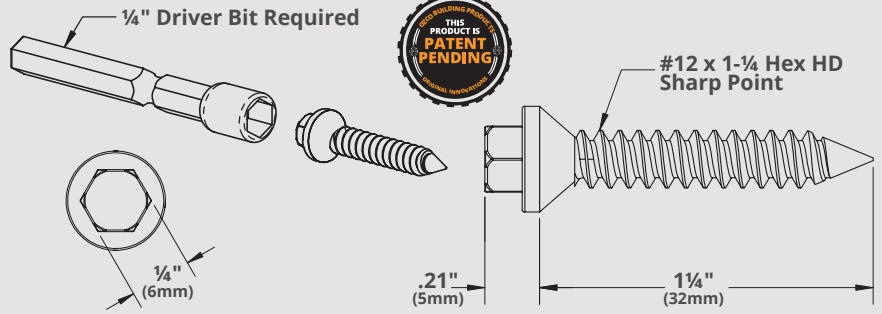


QTY
10
pcs





- Requires a 1/4" hex driver bit
- Exclusive high friction design
- No pre-drilling required



2" Standard Rafter Clips

Item #: 51717 (RC-IW-2) 10pk

MSRP: \$21.39

Item #: 41717 (RC-2-IW-2PK) 2pk

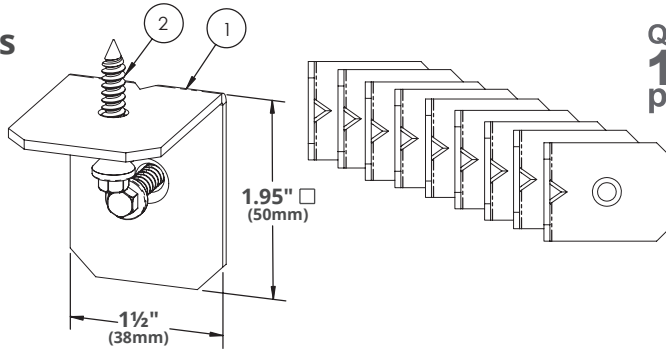
MSRP: \$4.59

10 Pack Kit Includes:

- 1 10 2" Rafter Clips
- 2 20 OWT-Lock #12 x 1-1/4 Hex HD Sharp Point (1/4" Hex)



1.96 lbs .86 kg 8



QTY 10 pcs

2" Standard Rafter Clips

Item #: 56617 (RC-LS-2) 10pk

MSRP: \$21.39

Item #: 46617 (RC-LS-2PK) 2pk

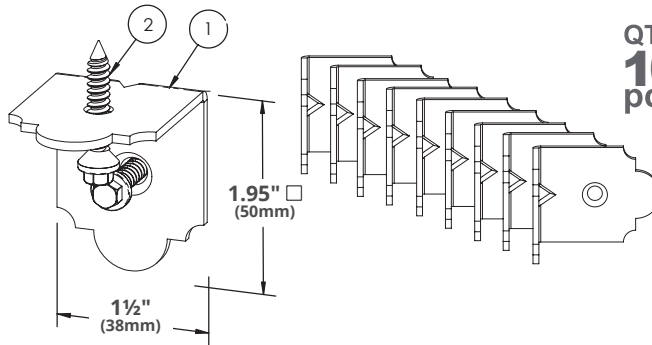
MSRP: \$4.59

Kit Includes:

- 1 10 2" Rafter Clips
- 2 20 OWT-Lock #12 x 1-1/4 Hex HD Sharp Point (1/4" Hex)



.86 kg 8



QTY 10 pcs

2" High Velocity Rafter Clips

Item #: 56638 (RC-LS-HV-2)

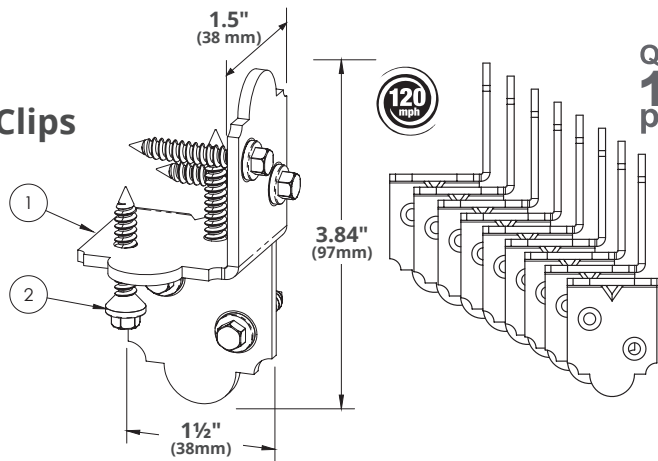
MSRP: \$30.69

Kit Includes:

- 1 10 2" Rafter Clips
- 2 60 OWT-Lock #12 x 1-1/4 Hex HD Sharp Point (1/4" Hex)



2.6 lbs 1.18 kg 8



QTY 10 pcs



Looking for more angle brackets? Find Inside 90°, 45° & more all on pages 58-63.



Scan to Watch This Product's Video





Download on the App Store

Search & Download OZCO Project Explorer App TODAY!

4" Standard Rafter Clips

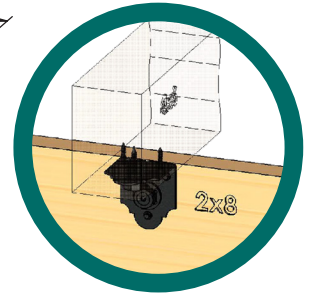
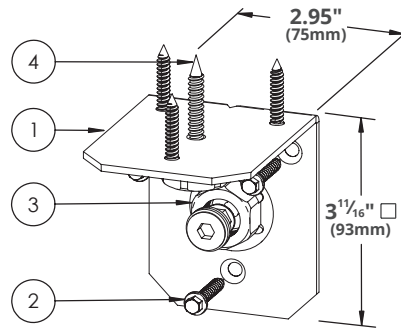
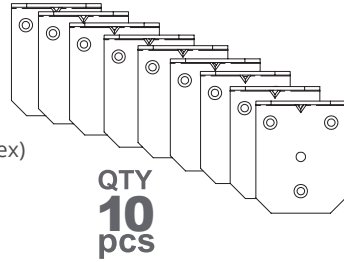
Item #: 51718 (RC-IW-4)

MSRP: \$73.49



Kit Includes:

- 1 10 4" Rafter Clips
- 2 60 OWT-Lock #12 x 1-1/4 Hex HD Sharp Point (1/4" Hex)
- 3 20 Hex Cap Nuts
- 4 20 1 3/4" OWT Timber Screws



4" Standard Rafter Clips

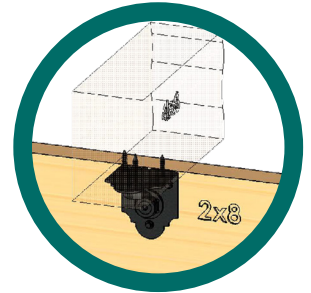
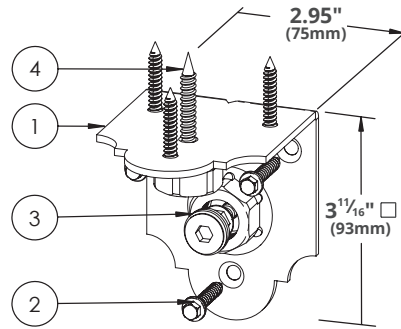
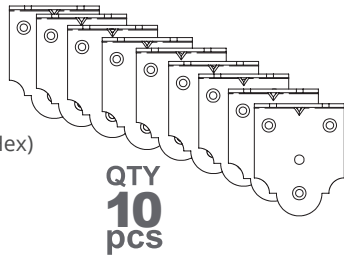
Item #: 56618 (RC-LS-4)

MSRP: \$73.49



Kit Includes:

- 1 10 4" Rafter Clips
- 2 60 OWT-Lock #12 x 1-1/4 Hex HD Sharp Point (1/4" Hex)
- 3 20 Hex Cap Nuts
- 4 20 1 3/4" OWT Timber Screws



4" Flush Inside 45°

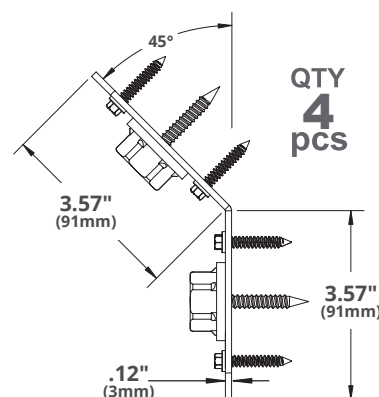
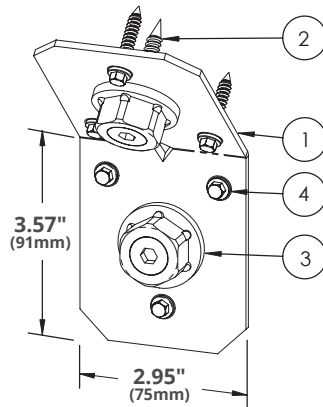
Item #: 51768 (FI45-IW-4)

MSRP: \$42.79



Kit Includes:

- 1 4 Flush Inside 45° Plates
- 2 8 1 3/4" OWT Timber Screws
- 3 8 Hex Cap Nuts
- 4 24 OWT-Lock #12 x 1-1/4 Hex HD Sharp Point (1/4" Hex)



QTY 4 pcs



4" Flush Inside 45°

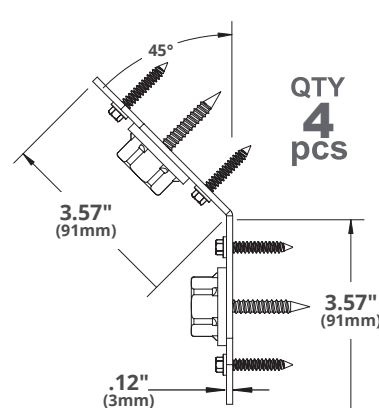
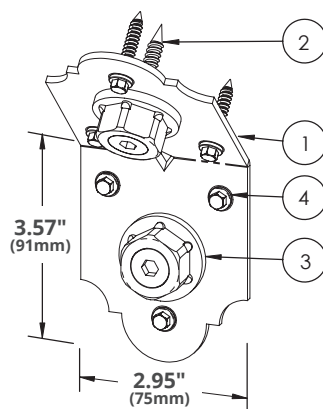
Item #: 56668 (FI45-LS-4)

MSRP: \$42.79

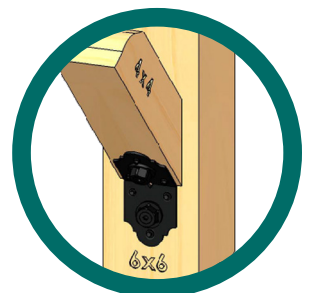


Kit Includes:

- 1 4 Flush Inside 45° Plates
- 2 8 1 3/4" OWT Timber Screws
- 3 8 Hex Cap Nuts
- 4 24 OWT-Lock #12 x 1-1/4 Hex HD Sharp Point (1/4" Hex)



QTY 4 pcs

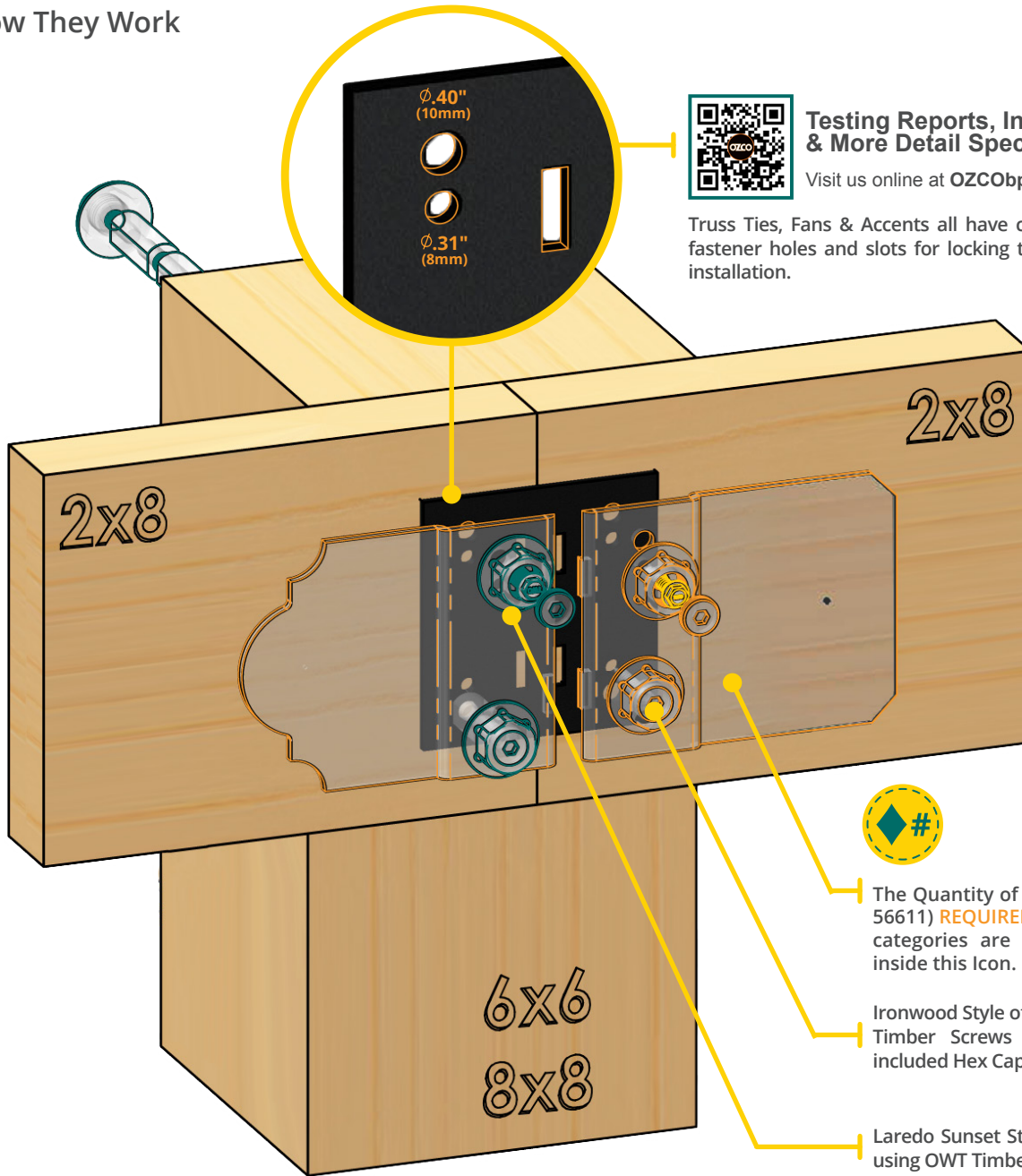


Looking for more angle brackets?
Find Inside 90°, 45° & more all on
pages 58-63.



Truss Accents & Ties

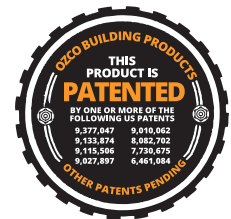
How They Work



Testing Reports, Instructions & More Detail Specs

Visit us online at OZCObp.com

Truss Ties, Fans & Accents all have corresponding fastener holes and slots for locking tabs for quick installation.



The Quantity of Truss Accent Kits (51711 or 56611) **REQUIRED** for products in the above categories are indicated by the Number inside this Icon.

Ironwood Style of Truss Accent installed using Timber Screws (sold separately) and the included Hex Cap Nuts

Laredo Sunset Style of Truss Accent installed using OWT Timber Bolts (sold separately)

Truss Accent

Each Sold Separately (see opposite)

Style	Item # Description
Laredo Sunset	56611 (TA-LS) LS
Ironwood	51711 (TA-IW) IW

IMPORTANT: Each **SOLD SEPARATELY** OWT Timber Bolts, Timber Screws and/or Hex Cap Nuts are **REQUIRED** for proper installation.

Fastening Options

Each Sold Separately (see pages 78-79)

Timber Screws	Item # Description
1¾" (45mm)	56625 (OWT175)
2¾" (70mm)	56626 (OWT275)
3¾" (95mm)	56627 (OWT375)
5¾" (145mm)	56628 (OWT575)
7½" (190mm)	56629 (OWT750)
10" (254mm)	56647 (OWT10)
12" (304mm)	56648 (OWT12)

Timber Bolt Options

Each Sold Separately (see pages 70-75)

Timber Bolts	Item # Description
1½-4" (38-101mm)	56673 (BOLT 1.5-6)
4-6" (101-152mm)	56649 (BOLT 4-6)
6-8" (152-203mm)	56650 (BOLT 6-8)
8-10" (203-254mm)	56651 (BOLT 8-10)
10-12" (254-304mm)	56652 (BOLT 10-12)



Truss Accent

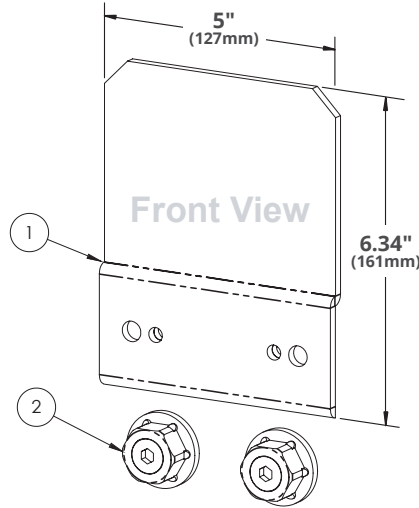
Item #: 51711 (TA-IW)
MSRP: \$25.09



Kit Includes:

- 1 2 Truss Accent Plates
- 2 4 Hex Cap Nuts

3.4 lbs 1.54 kg 12



QTY
2
pcs

Ø.31" (8mm) Ø.40" (10mm)

Truss Accent

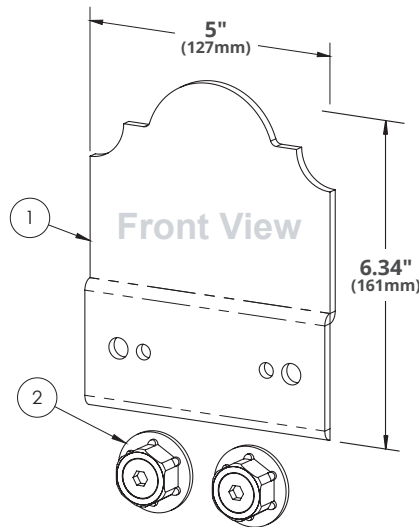
Item #: 56611 (TA-LS)
MSRP: \$25.09



Kit Includes:

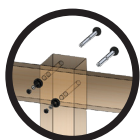
- 1 2 Truss Accent Plates
- 2 4 Hex Cap Nuts

3.4 lbs 1.54 kg 12



QTY
2
pcs

Ø.31" (8mm) Ø.40" (10mm)



OWT Timber Bolts or Screws
Are **REQUIRED** and **SOLD SEPARATELY**.
See Pages 70-79 for all available lengths.



Scan to Watch This Product's Video



👉 **Inside Flush 45**

Inside Flush 45 on My Outdoor grilling station / bar. I love the finish look it gave to my project. 👉
Peter D. ~ Verified Buyer



Project #505



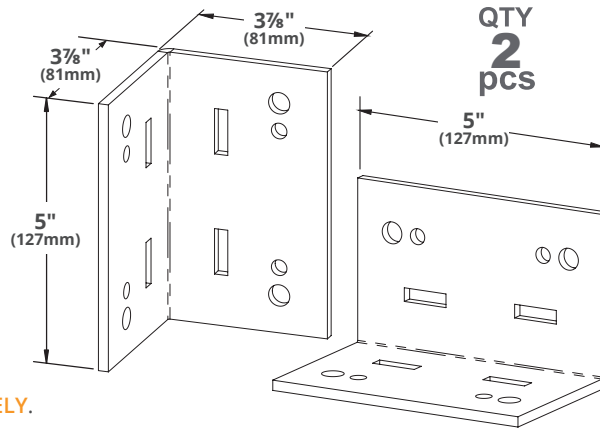
90° Flush Inside

Item #: 56615 (FI-90)
MSRP: \$13.99



Includes:

- 2 Flush Inside 90 Deg. Plates



OWT Truss Accents, Hex Cap Nuts,
Timber Screws & Bolts **SOLD SEPARATELY.**

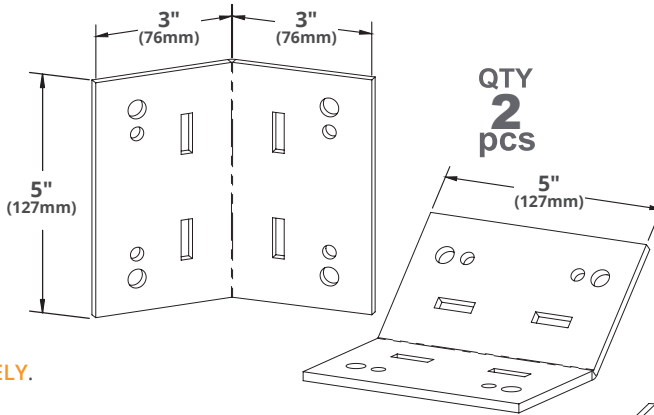
45° Flush Inside

Item #: 56616 (FI-45)
MSRP: \$13.99



Includes:

- 2 Flush Inside 45 Deg. Plates



OWT Truss Accents, Hex Cap Nuts,
Timber Screws & Bolts **SOLD SEPARATELY.**

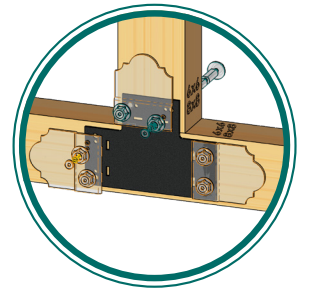
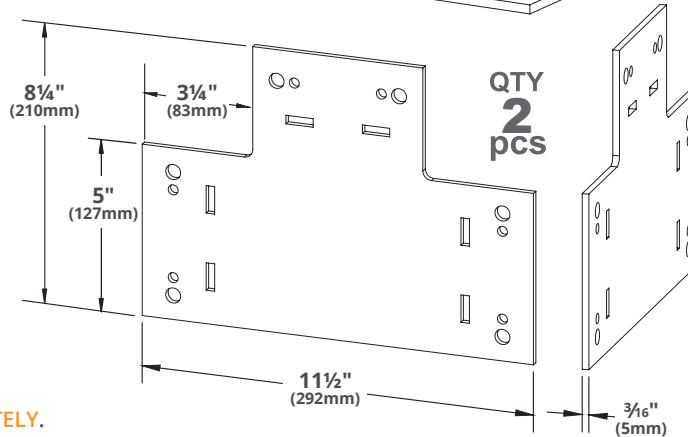
"T" Tie Plate

Item #: 56612 (TTP)
MSRP: \$42.49



Includes:

- 2 "T" Tie Plates



OWT Truss Accents, Hex Cap Nuts,
Timber Screws & Bolts **SOLD SEPARATELY.**

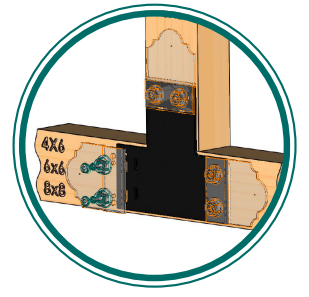
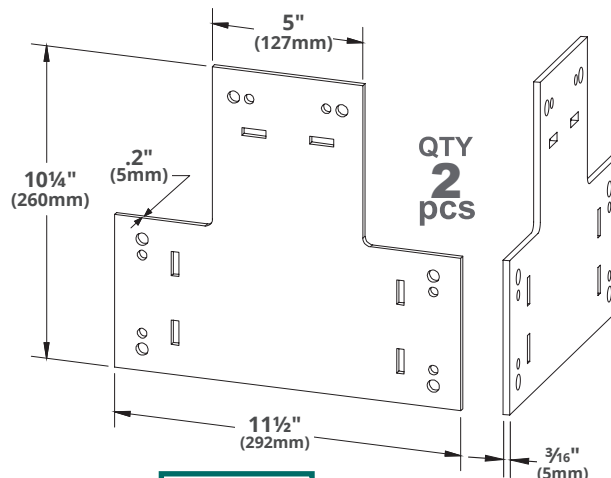
"T" Tie Plate Extended

Item #: 57712 (TTP-EXT)
MSRP: \$49.99



Includes:

- 2 "T" Tie Extended Plates



OWT Truss Accents, Hex Cap Nuts,
Timber Screws & Bolts **SOLD SEPARATELY.**



Testing Reports, Instructions
& More Detail Specs

Visit us online at OZCObp.com



Scan to Watch This Product's Video



Butt Joint Flush

Item #: 56613 (BJF)

MSRP: \$8.99

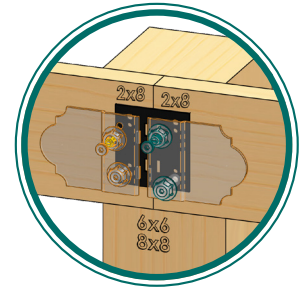
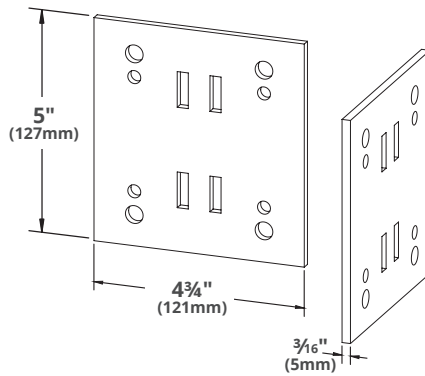
Includes:

2 Butt Joint Plates



QTY
2
pcs

OWT Truss Accents, Hex Cap Nuts,
Timber Screws & Bolts **SOLD SEPARATELY.**



90° Flush Outside

Item #: 56614 (FO-90)

MSRP: \$17.39

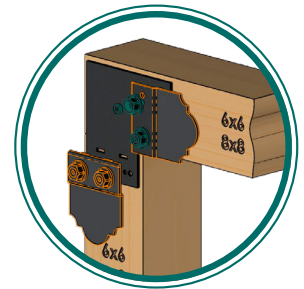
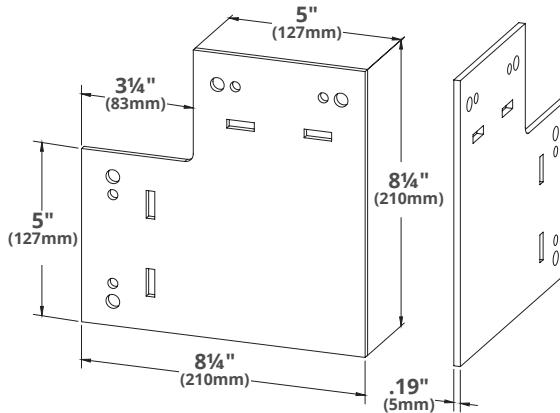
Includes:

2 Flush Outside Plates



QTY
2
pcs

Timber Bolts, Timber Screws &
Accessories **ALL SOLD SEPARATELY.**



4" 90° Flush Outside

Item #: 51774 (FO-90-IW-4)

MSRP: \$10.49

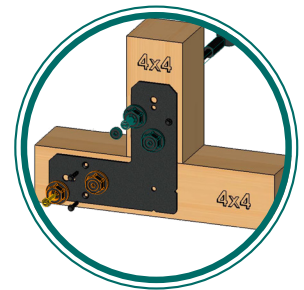
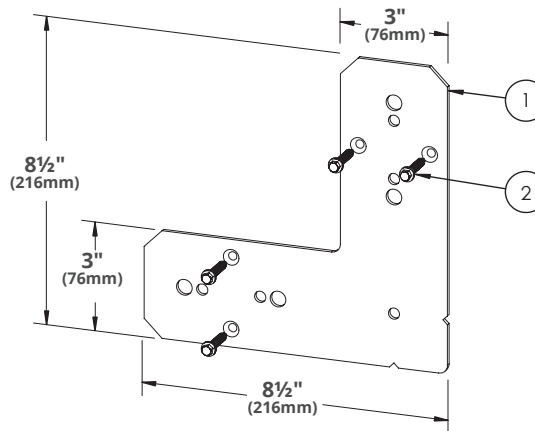
Includes:

- 1 4" Plate
- 2 4 OWT-Lock #12 x 1-1/4 Hex HD Sharp Point (1/4" Hex)



QTY
1
pcs

Hex Cap Nuts, Timber Bolts, & Timber
Screws **ALL SOLD SEPARATELY.**



4" 90° Flush Outside

Item #: 56674 (FO-90-LS-4)

MSRP: \$10.49

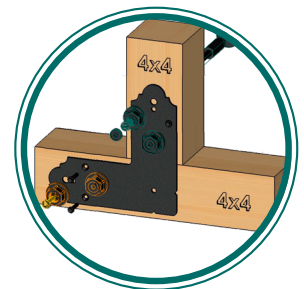
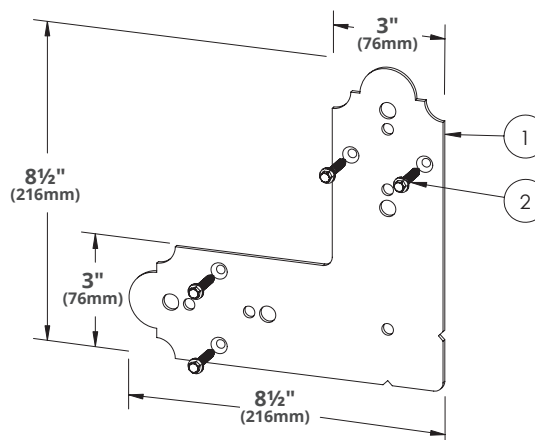
Includes:

- 1 4" Plate
- 2 4 OWT-Lock #12 x 1-1/4 Hex HD Sharp Point (1/4" Hex)

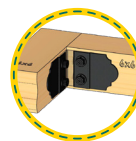


QTY
1
pcs

Hex Cap Nuts, Timber Bolts, & Timber
Screws **ALL SOLD SEPARATELY.**



Scan to Watch This Product's Video



The number of Truss Accent (LS or IW) kits are indicated by the Diamond Icon & Number, kits **SOLD SEPARATELY** see page 57.





Great Truss System

I used the Truss Fan Base with Ironwood Truss Accents and 1/2" Timber Bolts to make trusses for a car port. These product made this project so much easier and look great. The fan base is both strong and good looking. The accent pieces give the trusses a finished look. The powder coat finish on all the parts should look good for a long time.

Doug A. ~ Verified Buyer



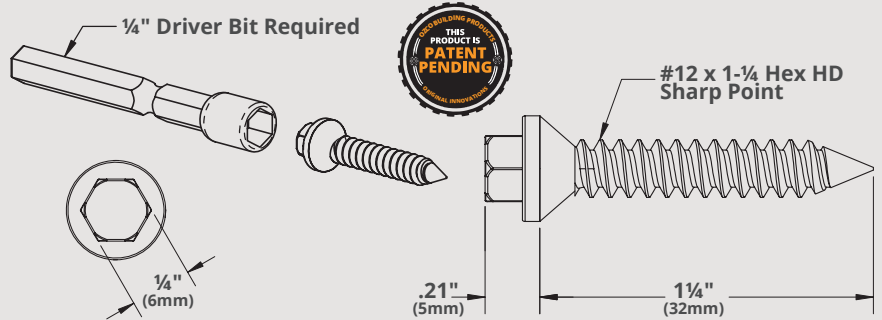
Download on the App Store

Search & Download **OZCO Project Explorer App TODAY!**





- Requires a 1/4" hex driver bit
- Exclusive high friction design
- No pre-drilling required



"T" Tie 4" Plate

Item #: 51767 (TTP-IW-4)

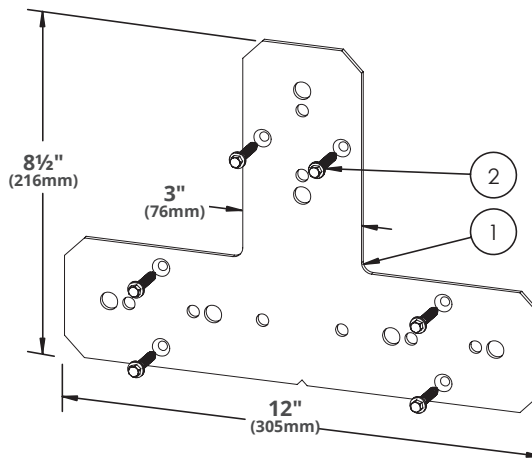
MSRP: \$12.79

Includes:

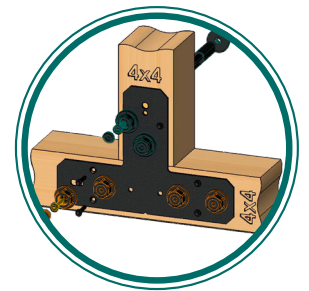
- 1 "T" Tie 4" Plate
- 6 OWT-Lock #12 x 1-1/4 Hex HD Sharp Point (1/4" Hex)



Hex Cap Nuts, Timber Bolts, & Timber Screws **ALL SOLD SEPARATELY.**



QTY
1
pcs



"T" Tie 4" Plate

Item #: 56667 (TTP-LS-4)

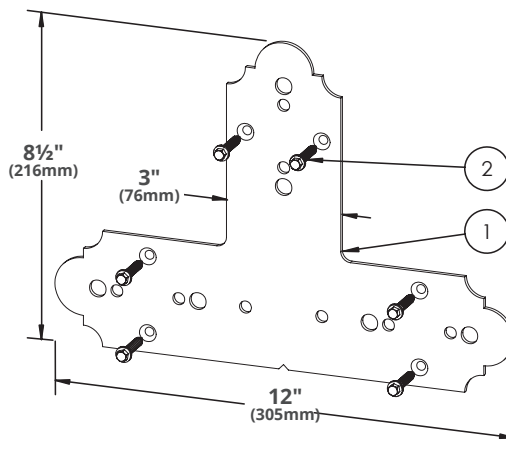
MSRP: \$12.79

Includes:

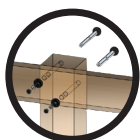
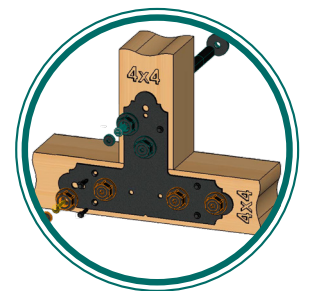
- 1 "T" Tie 4" Plate
- 6 OWT-Lock #12 x 1-1/4 Hex HD Sharp Point (1/4" Hex)



Hex Cap Nuts, Timber Bolts, & Timber Screws **ALL SOLD SEPARATELY.**



QTY
1
pcs



OWT Timber Bolts or Screws
Are **REQUIRED** and **SOLD SEPARATELY.**
See Pages 74-79 for all available lengths.



G-PC

ACQ

CRC

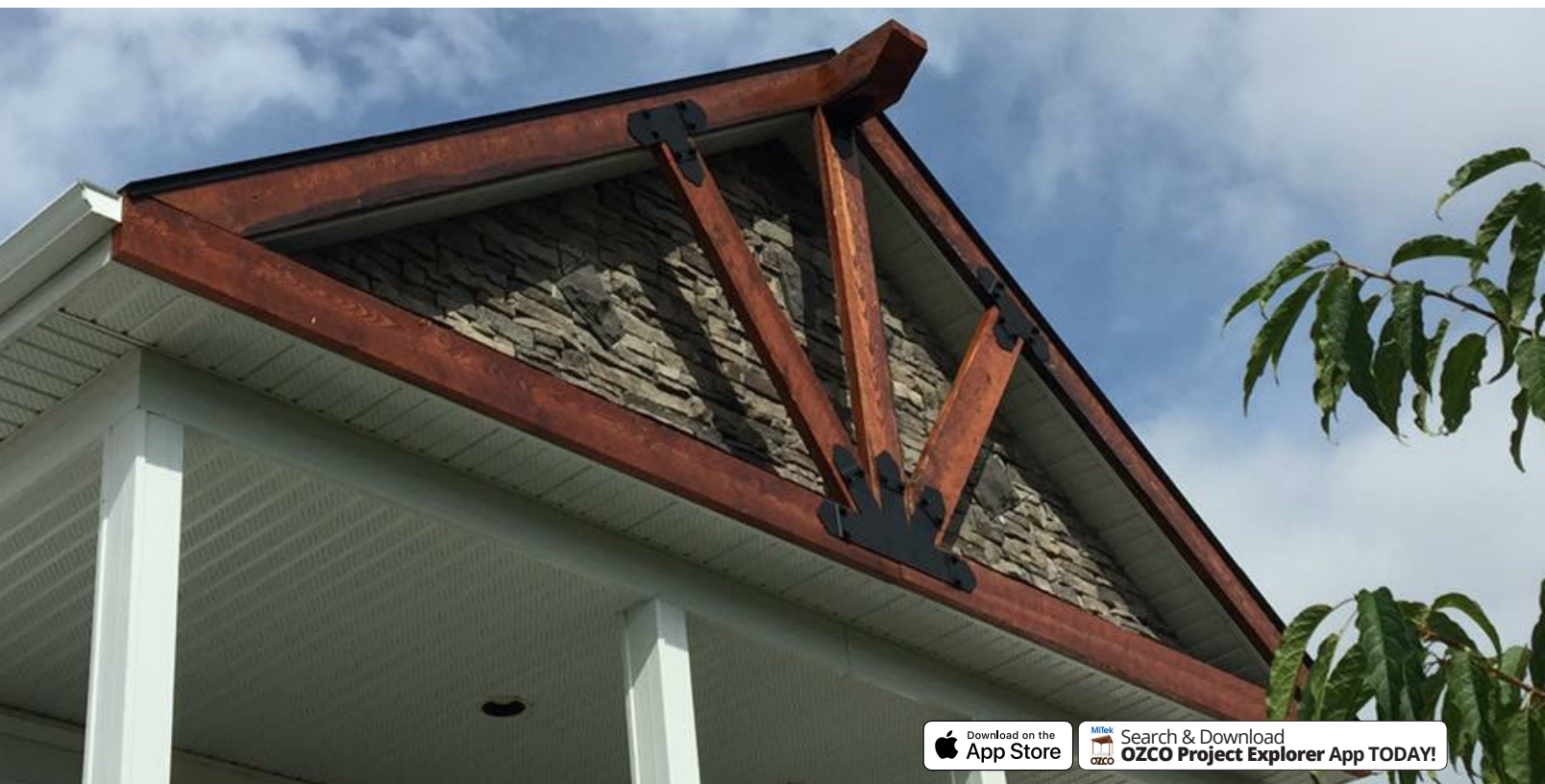


.20"
5mm

Project #210 — Pavilion



FREE
Project Plans
Cut Lists, Material Lists &
Step by Step How To
OZCObp.com









Project #212

8:12 Truss Base Fan

Item #: 56619 (TBF-8-12)

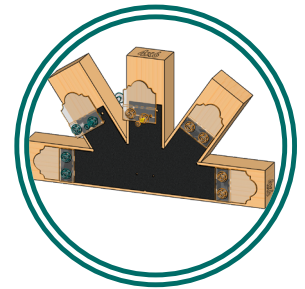
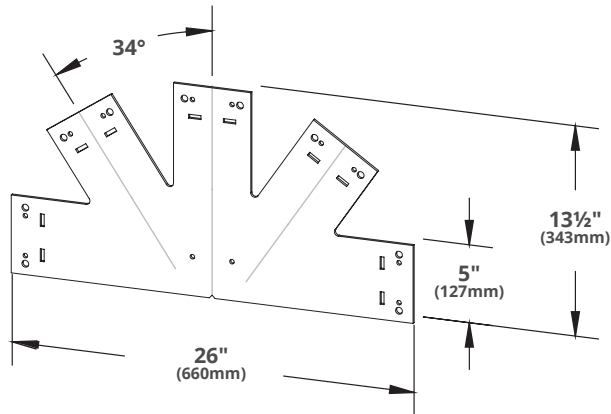
MSRP: \$72.49

Includes:

- 1 Truss Base Fan - 8:12

14.1 lbs 6.39 kg 

OWT Truss Accents, Hex Cap Nuts, Timber Screws & Bolts **SOLD SEPARATELY.**



10:12 Truss Base Fan

Item #: 56620 (TBF-10-12)

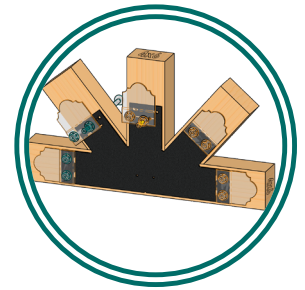
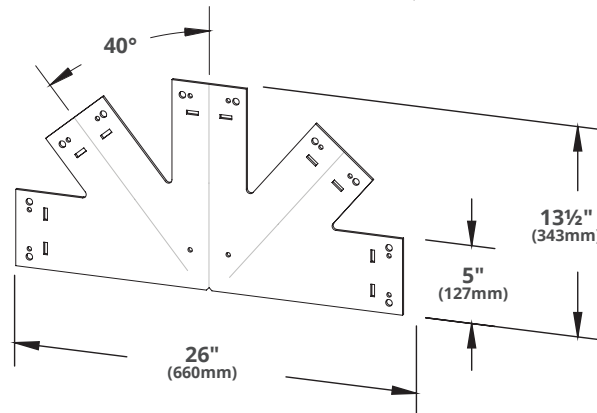
MSRP: \$72.49

Includes:

- 1 Truss Base Fan - 10:12

14.1 lbs 6.39 kg 

OWT Truss Accents, Hex Cap Nuts, Timber Screws & Bolts **SOLD SEPARATELY.**



12:12 Truss Base Fan

Item #: 56644 (TBF-12-12)

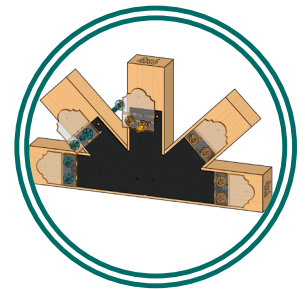
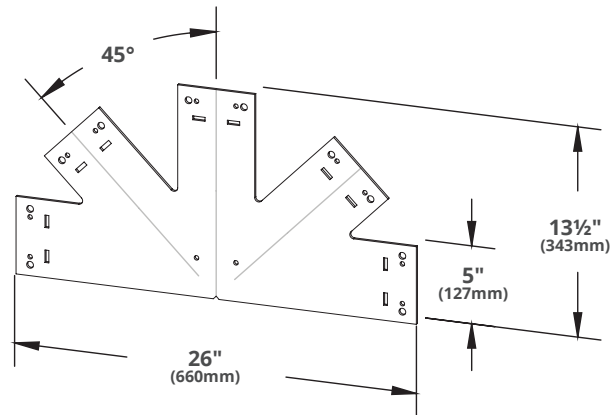
MSRP: \$72.49

Includes:

- 1 Truss Base Fan - 12:12

14.1 lbs 6.39 kg 

OWT Truss Accents, Hex Cap Nuts, Timber Screws & Bolts **SOLD SEPARATELY.**



The number of Truss Accents (IW or LS) kits are indicated by the Diamond Icon & Number, kits **SOLD SEPARATELY** see page 57.



Scan to Watch This Product's Video



G-PC

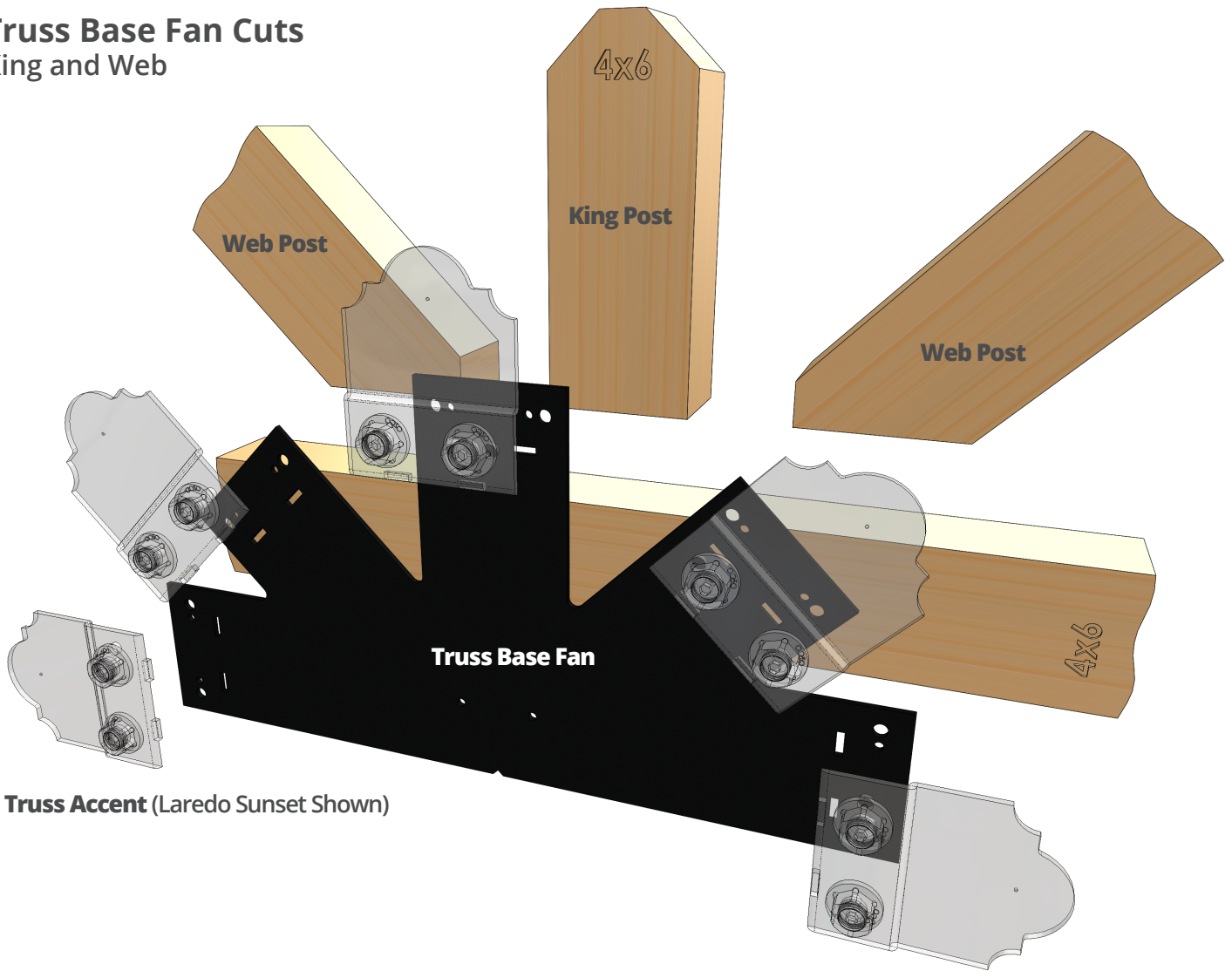
ACQ

CRC

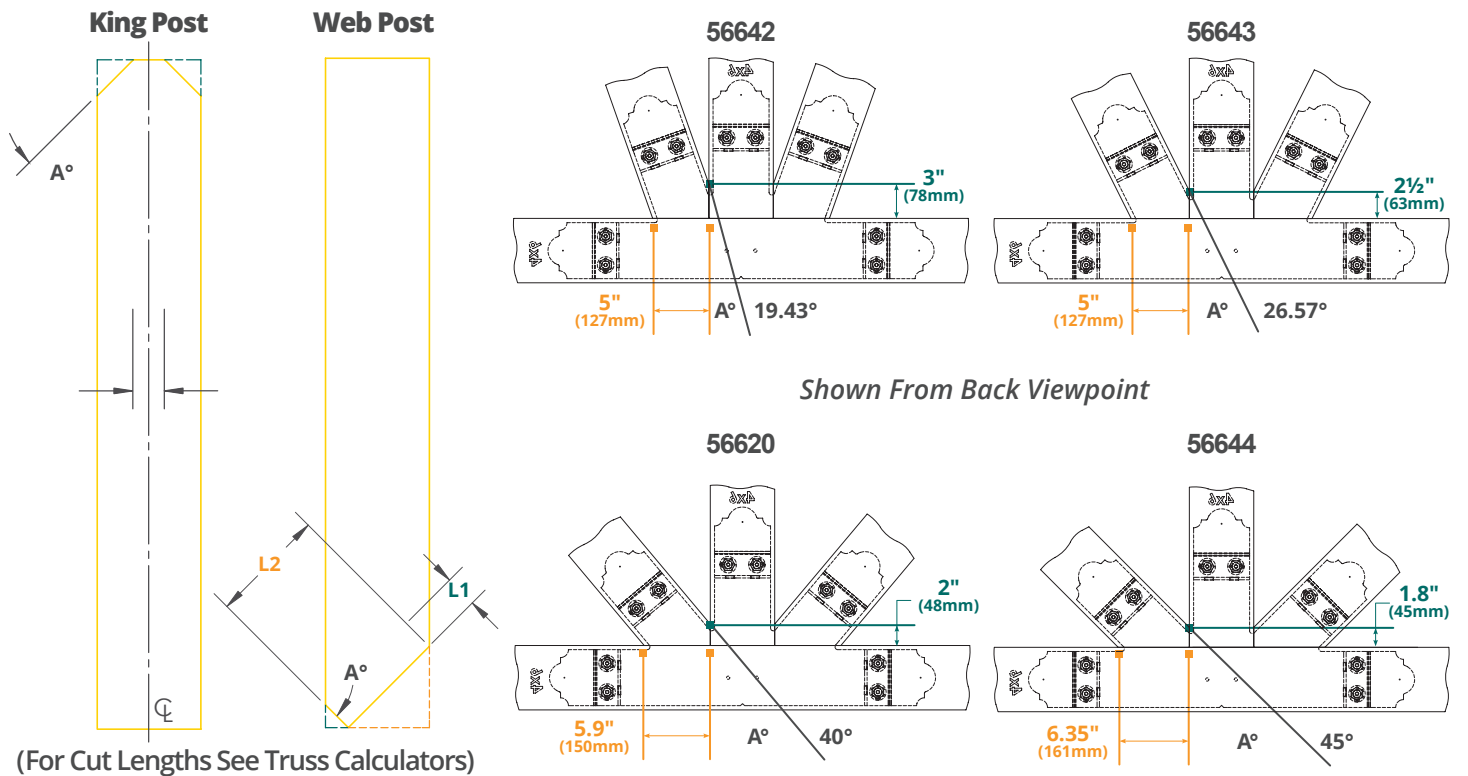


.20" 5mm

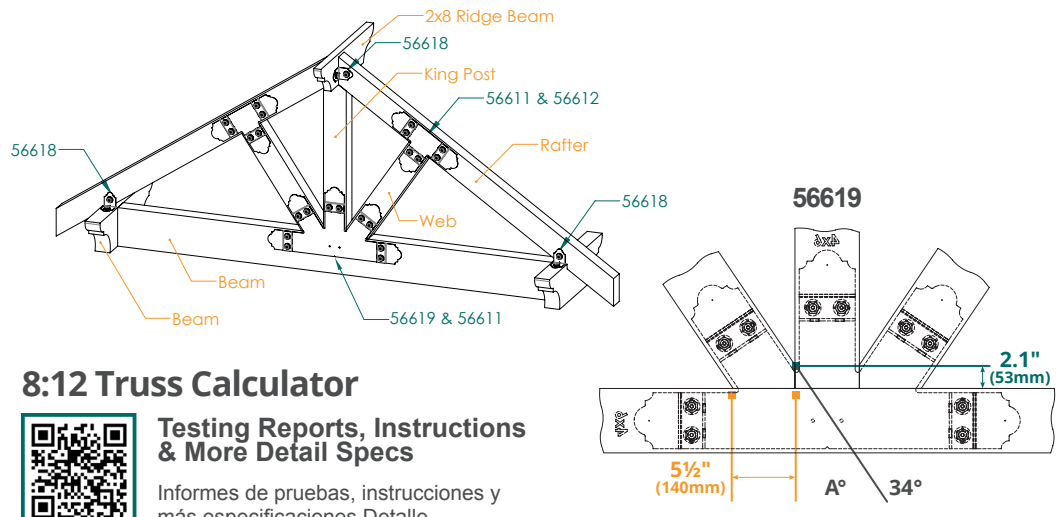
Truss Base Fan Cuts King and Web



Truss Accent (Laredo Sunset Shown)



Beam (in)	King Post (in)	Rafter (in)	Web (in)
138	44.70	79.95	35.94
139	45.04	80.55	36.22
140	45.38	81.15	36.50
141	45.71	81.76	36.78
142	46.05	82.36	37.06
143	46.39	82.96	37.34
144	46.73	83.56	37.62
145	47.06	84.17	37.90
146	47.40	84.77	38.18
147	47.74	85.37	38.46
148	48.07	85.98	38.74
149	48.41	86.58	39.02
150	48.75	87.18	39.30
151	49.09	87.78	39.58
152	49.42	88.39	39.86
153	49.76	88.99	40.14
154	50.10	89.59	40.42
155	50.43	90.20	40.70
156	50.77	90.80	40.98
157	51.11	91.40	41.25
158	51.45	92.01	41.53

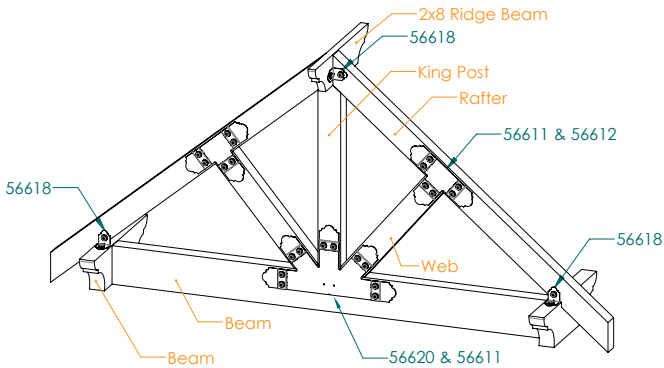


8:12 Truss Calculator



Testing Reports, Instructions & More Detail Specs

Informes de pruebas, instrucciones y más especificaciones Detalle



10:12 Truss Calculator



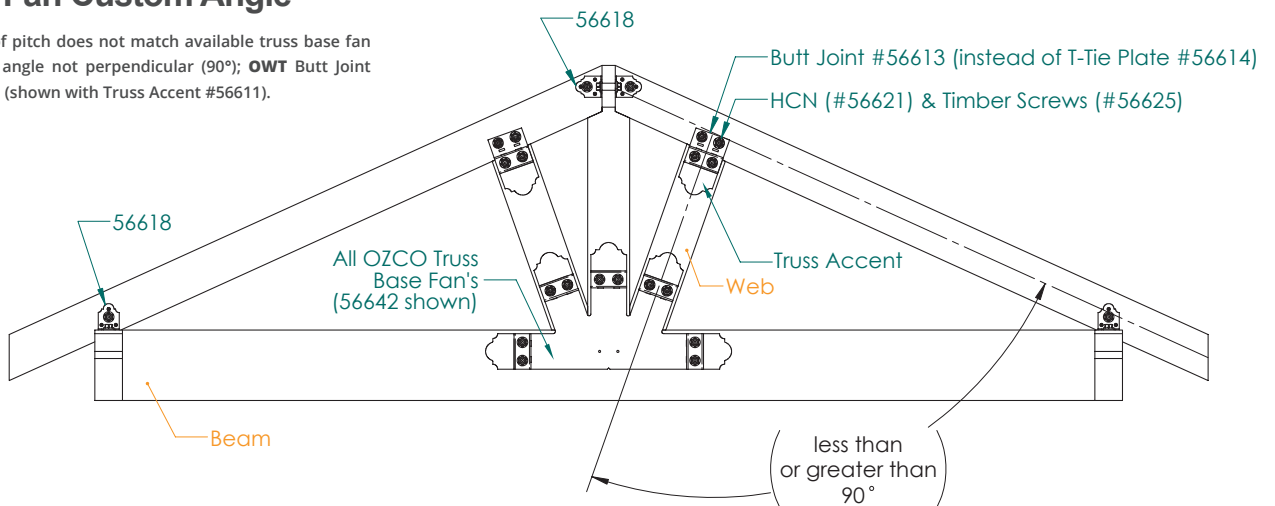
Testing Reports, Instructions & More Detail Specs

Informes de pruebas, instrucciones y más especificaciones Detalle



Truss Base Fan Custom Angle

Applications where roof pitch does not match available truss base fan angle (web and rafter angle not perpendicular (90°); **OWT** Butt Joint (#56613) will be utilized (shown with Truss Accent #56611).





Download on the  App Store  Search & Download **OZCO Project Explorer App TODAY!**

Truss Base Fan - T

Item #: 56645 (TBF-T)
MSRP: \$72.49



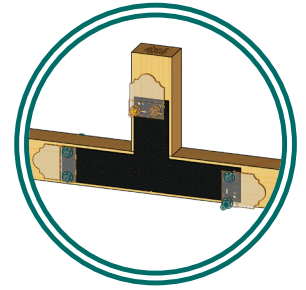
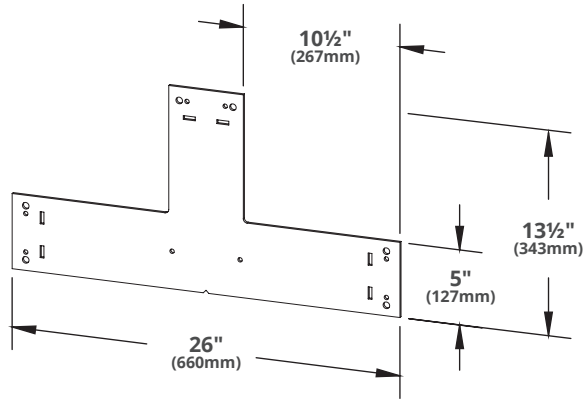
Includes:

- 1 Truss Base Fan - T

QTY
1
pcs



OWT Truss Accents, Hex Cap Nuts,
Timber Screws & Bolts **SOLD SEPARATELY.**



Truss Base Fan 3 Point

Item #: 56646 (TBF-3-PT)
MSRP: \$72.49



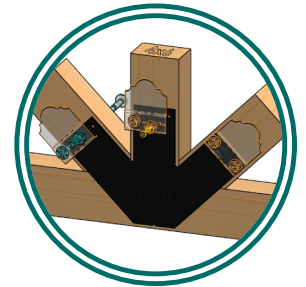
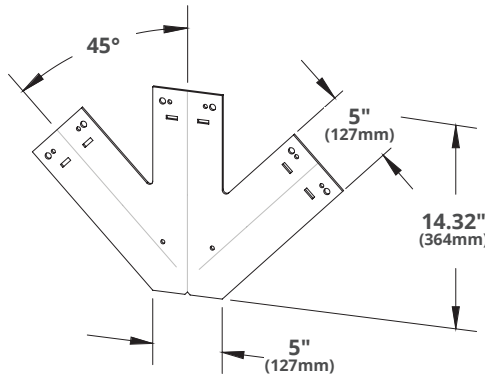
Includes:

- 1 Truss Base Fan - 3pt

QTY
1
pcs



OWT Truss Accents, Hex Cap Nuts,
Timber Screws & Bolts **SOLD SEPARATELY.**



4:12 Truss Base Fan

Item #: 56642 (TBF-4-12)
MSRP: \$72.49



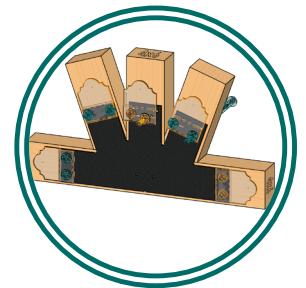
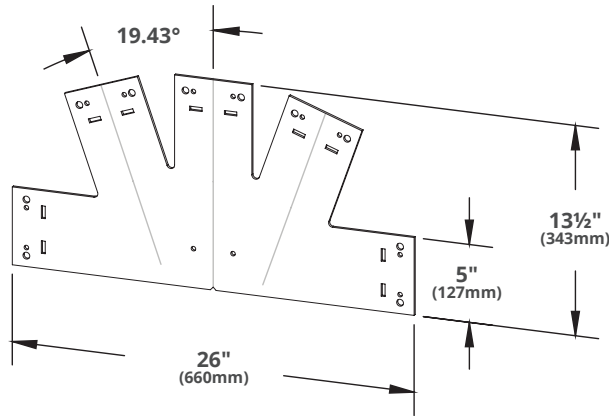
Includes:

- 1 Truss Base Fan - 4:12

QTY
1
pcs



OWT Truss Accents, Hex Cap Nuts,
Timber Screws & Bolts **SOLD SEPARATELY.**



6:12 Truss Base Fan

Item #: 56643 (TBF-6-12)
MSRP: \$72.49



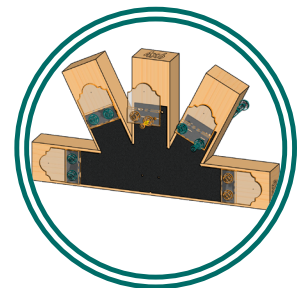
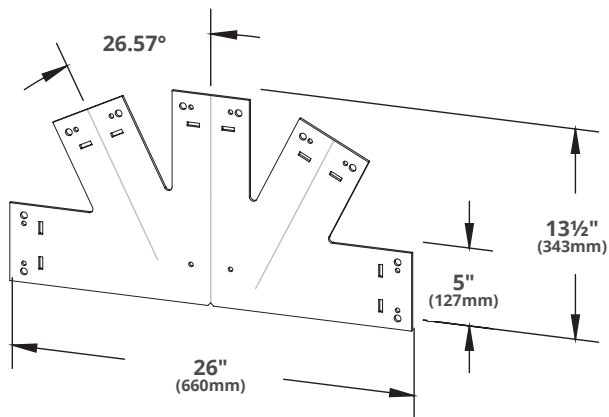
Includes:

- 1 Truss Base Fan - 6:12

QTY
1
pcs



OWT Truss Accents, Hex Cap Nuts,
Timber Screws & Bolts **SOLD SEPARATELY.**



The number of Truss Accents (IW or LS) kits are indicated by the Diamond Icon & Number, kits **SOLD SEPARATELY** see page 57.



Scan to Watch This Product's Video



G-PC

ACQ

CRC



.20" / 5mm



Hex Cap Nuts

I used a number of the products from this line on a recent project and was very pleased to not only find the products, pergola hardware is scarce, but also to find such a well-engineered and easy to use line of hardware. On the first project I used over \$1,000 of this OWT product line to build a 10' x 30' cedar pergola and am about to start another project that will require as much or more. These nuts were extras I thought I might need. 📍 S. Bruce ~ Dallas, TX



Download on the App Store



Search & Download OZCO Project Explorer App TODAY!

2 3/8" OD Star

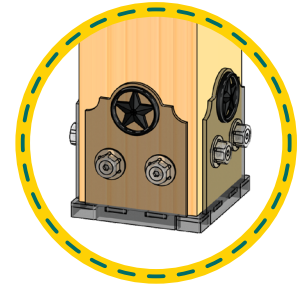
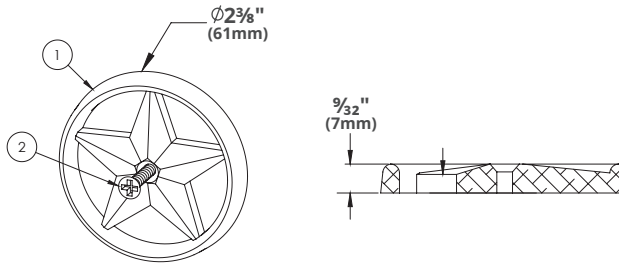
Item #: 56623 (STAR2.375)
MSRP: \$32.49

Kit Includes:

- 1 10 2 3/8" OD Star
- 2 10 #6 x 1 3/4" Wood Screw

.9 lbs .41 kg 10 PH2

QTY
10
pcs



3 3/8" OD Star

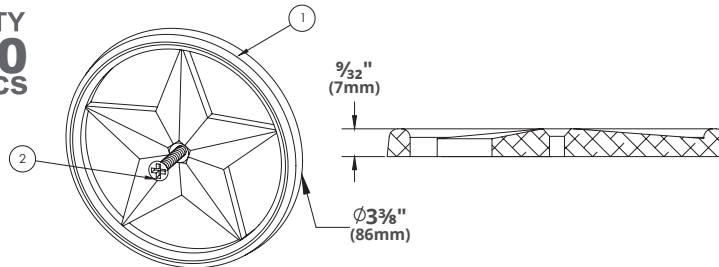
Item #: 56624 (STAR3.375)
MSRP: \$34.89

Kit Includes:

- 1 10 3 3/8" OD Star
- 2 10 #6 x 1 3/4" Wood Screw

1.6 lbs .72 kg 10 PH2

QTY
10
pcs



Single BULK 100pcs

Item #: 16624 (STAR3.375B)
MSRP: \$268.79

1" Hex Cap Nut

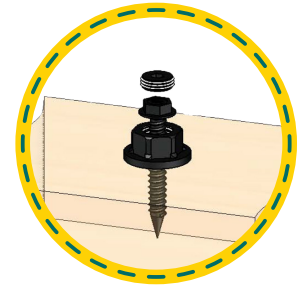
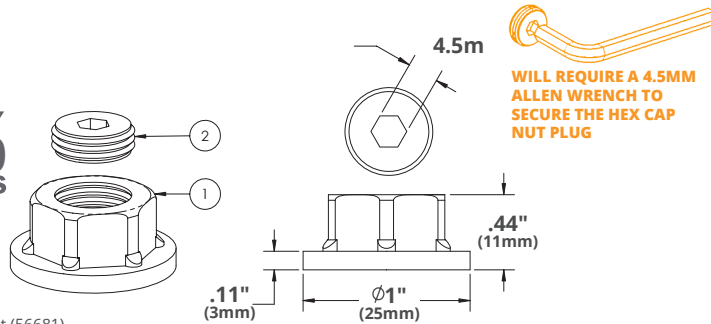
Item #: 56681 (HCN-1)
MSRP: \$13.69

Kit Includes:

- 1 10 Hex Cap Nuts
- 2 10 Hex Cap Nut Plugs

.9 lbs .41 kg 12

QTY
10
pcs



OWT Timber Screws **DO NOT FIT** the 1" Hex Cap Nut (56681)
REQUIRES SELF DRILL SCREW, HEX, #8, 1 1/4" FASTENER SOLD SEPARATELY

1 1/2" Hex Cap Nut

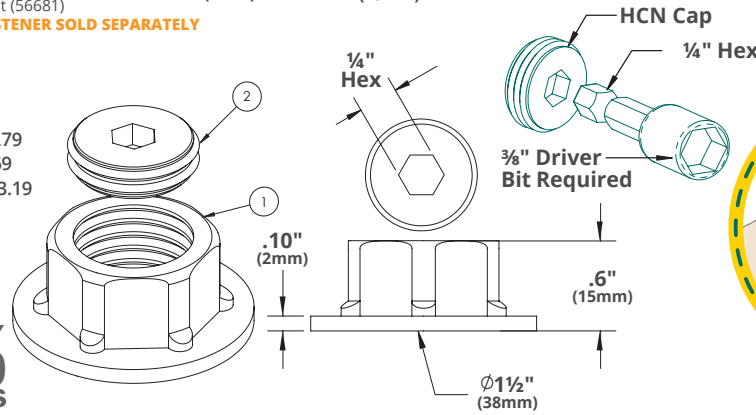
Item #: 56621 (HCN) MSRP: \$15.79
Item #: 46621 (HCN) 4pk MSRP: \$6.69
Item #: 16621 (HCN) 250pk MSRP: \$343.19

10 Pack Includes:

- 1 10 Hex Cap Nuts
- 2 10 Hex Cap Nut Plugs

.9 lbs .41 kg 12

QTY
10
pcs



1 1/4" Hammered Dome Cap Nut

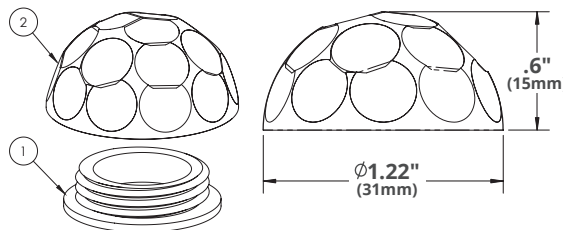
Item #: 56622 (DCN) MSRP: \$27.89
Item #: 16622 (DCN) 250pk MSRP: \$529.19

10 Pack Includes:

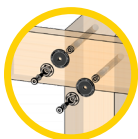
- 1 10 Threaded Washer
- 2 10 Hammered Dome Cap Nuts

.5 lbs .23 kg 12

QTY
10
pcs



ALL OWT Timber Screws fit the Hammered Dome Cap Nuts (56622)
FASTENERS SOLD SEPARATELY



Create an even bolder accent by adding the Heavy Duty Timber Bolt Washer to the Hex Cap Nut or Dome Cap Nut, see page 74.



Scan to Watch This Product's Video

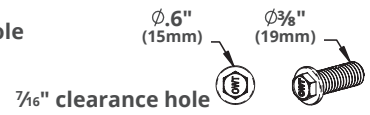
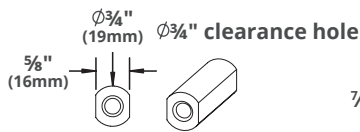
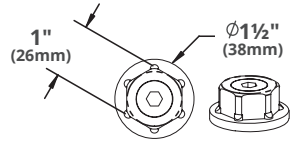


AI-PC

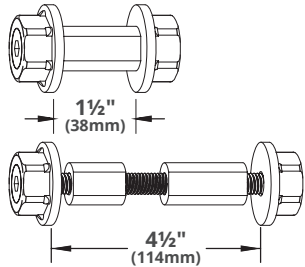
ACQ



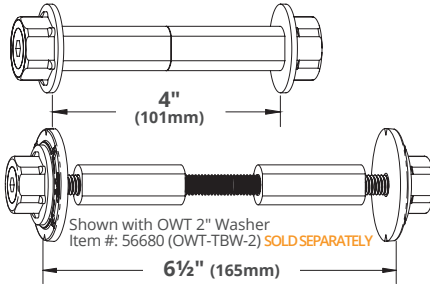
3/4" OWT Timber Bolts



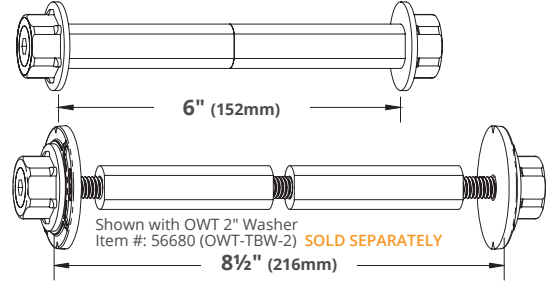
3/4"x1 1/2-4" (38-101mm) 2pcs
 Item #: 56673 (BOLT 1.5-4)
 MSRP: \$23.69



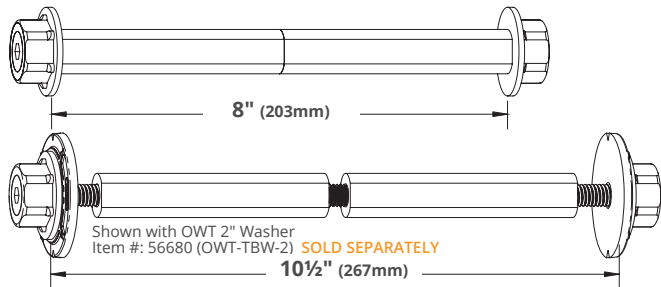
3/4"x4-6" (101-152mm) 2pcs
 Item #: 56649 (BOLT 4-6)
 MSRP: \$18.59



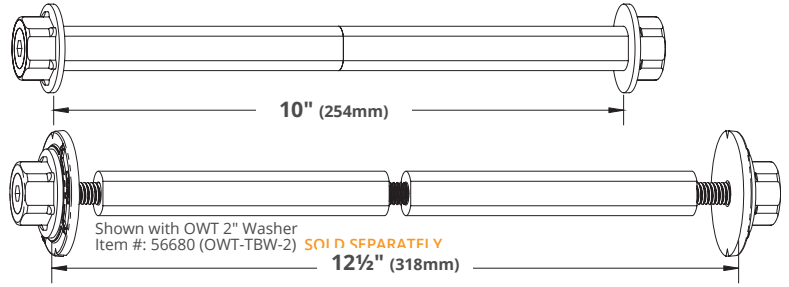
3/4"x6-8" (152-203mm) 2pcs
 Item #: 56650 (BOLT 6-8)
 MSRP: \$20.49



3/4"x8-10" (203-254mm) 2pcs
 Item #: 56651 (BOLT 8-10)
 MSRP: \$21.39



3/4"x10-12" (254-304mm) 2pcs
 Item #: 56652 (BOLT 10-12)
 MSRP: \$22.29



3/4" OWT Timber Bolt (BULK)

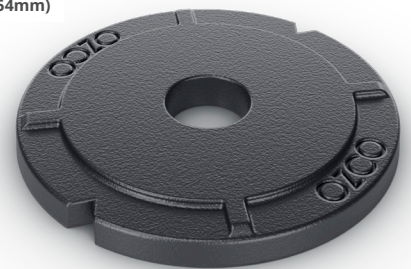
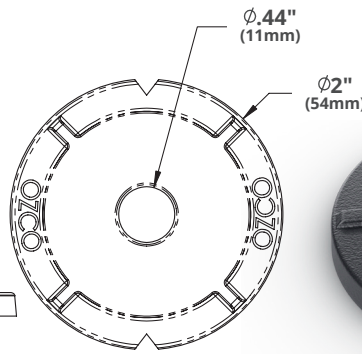
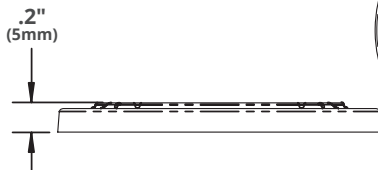
Size	Item # Description	Bin Qty	MSRP
3/4"x1 1/2-4" (38-101mm)	16673 (BOLT 1.5-4B)	30pcs	\$251.09
3/4"x4-6" (101-152mm)	16649 (BOLT 4-6B)	30pcs	\$255.79
3/4"x6-8" (152-203mm)	16650 (BOLT 6-8B)	30pcs	\$260.39
3/4"x8-10" (203-254mm)	16651 (BOLT 8-10B)	30pcs	\$265.09
3/4"x10-12" (254-304mm)	16652 (BOLT 10-12B)	25pcs	\$227.79

2" Heavy Duty Timber Bolt Washer

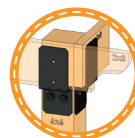
Item #: 56680 (OWT-TBW-2)

Includes:
 4 OWT Washers 2"

.81 lbs 0.37 kg



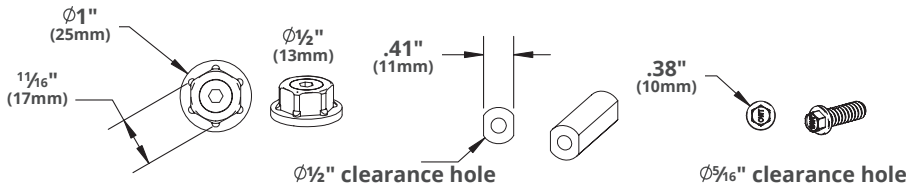
OWT Timber Bolts **SOLD SEPARATELY**



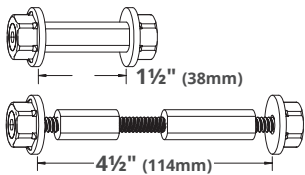
Post to Beams are a great product to pair the OWT Timber Bolts with, **SOLD SEPARATELY** see pages 35-41 for all options.



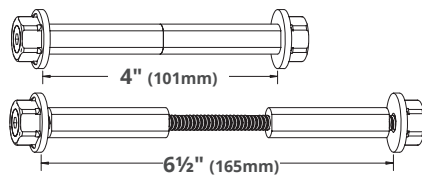
1/2" OWT Timber Bolts



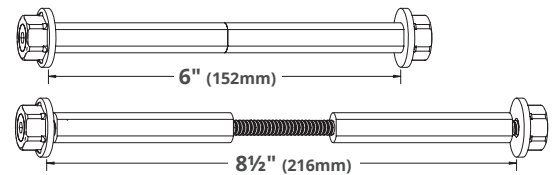
1/2"x1 1/2"-4" (38-101mm) 2pcs
Item #: 56694 (BOLT 1.5-4)
MSRP: \$13.59



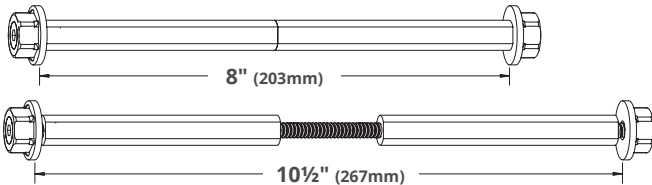
1/2"x4-6" (101-152mm) 2pcs
Item #: 56695 (BOLT 4-6)
MSRP: \$14.89



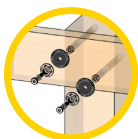
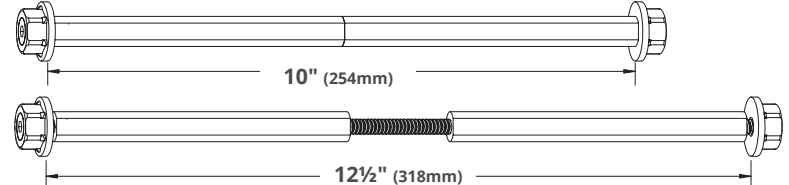
1/2"x6-8" (152-203mm) 2pcs
Item #: 56696 (BOLT 6-8)
MSRP: \$15.29



1/2"x8-10" (203-254mm) 2pcs
Item #: 56697 (BOLT 8-10)
MSRP: \$16.69



1/2"x10-12" (254-304mm) 2pcs
Item #: 56698 (BOLT 10-12)
MSRP: \$17.19



Timber bolt length can be extended by replacing the threaded center bolt with a longer bolt.



Scan to Watch This Product's Video



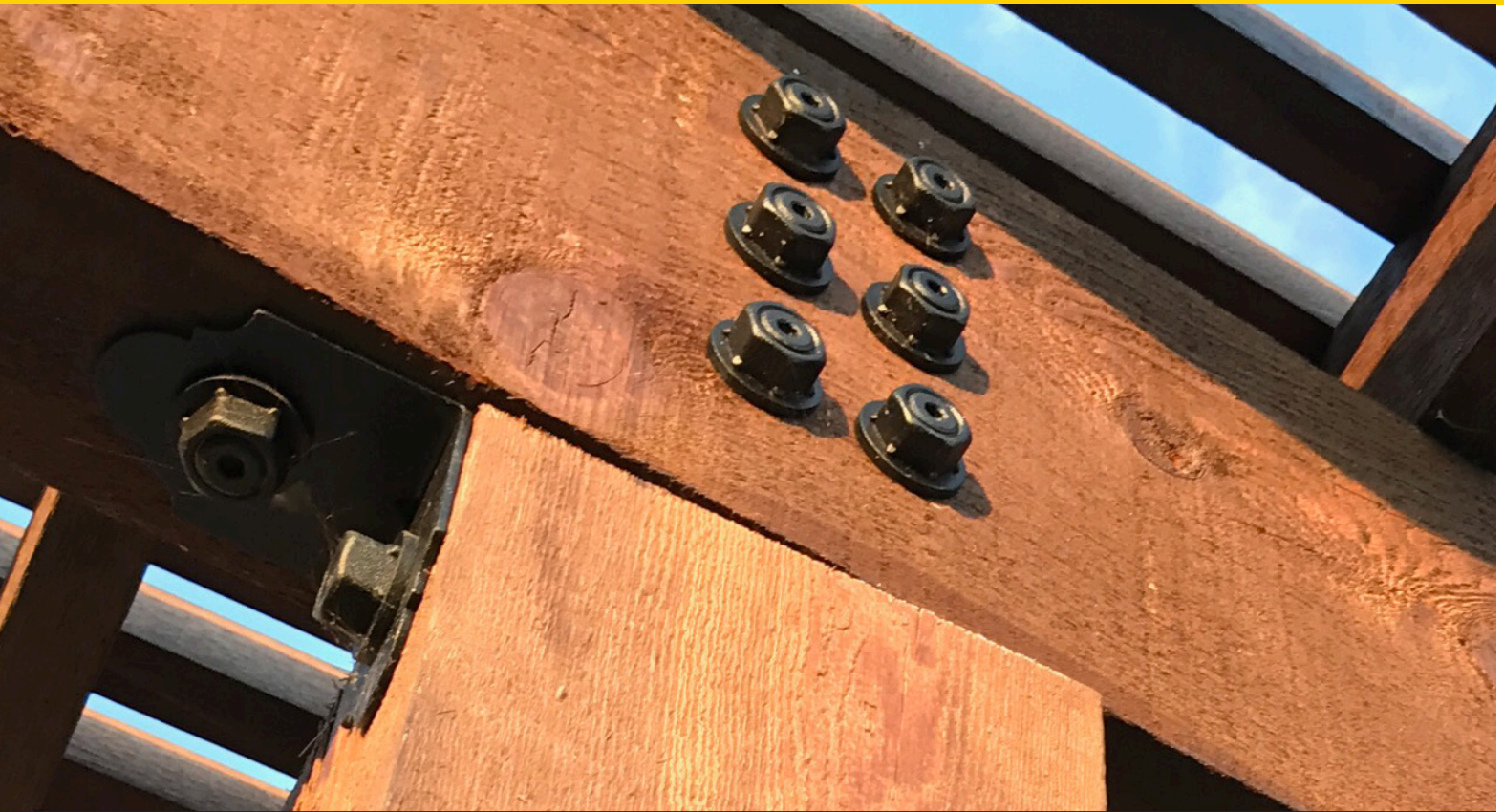
ACQ

PC

CRC

3/8"

1/2"



📌📌 OWT Timber Bolts!

Beautifully constructed and easy to install. They are uniquely constructed to fit a range of widths. I'd highly recommend them when you need both that 'finished' look. 📌📌 John M. ~ Verified Buyer

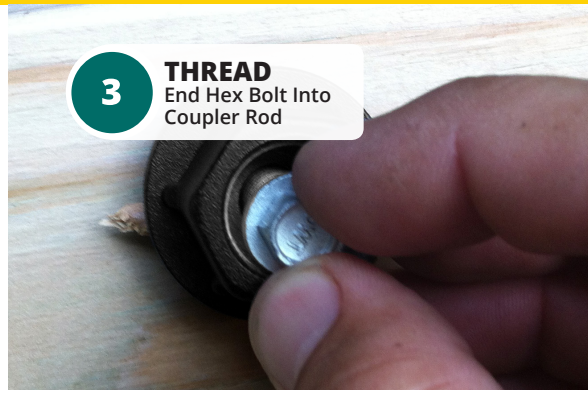




1 DRILL
Hole Through Lumber



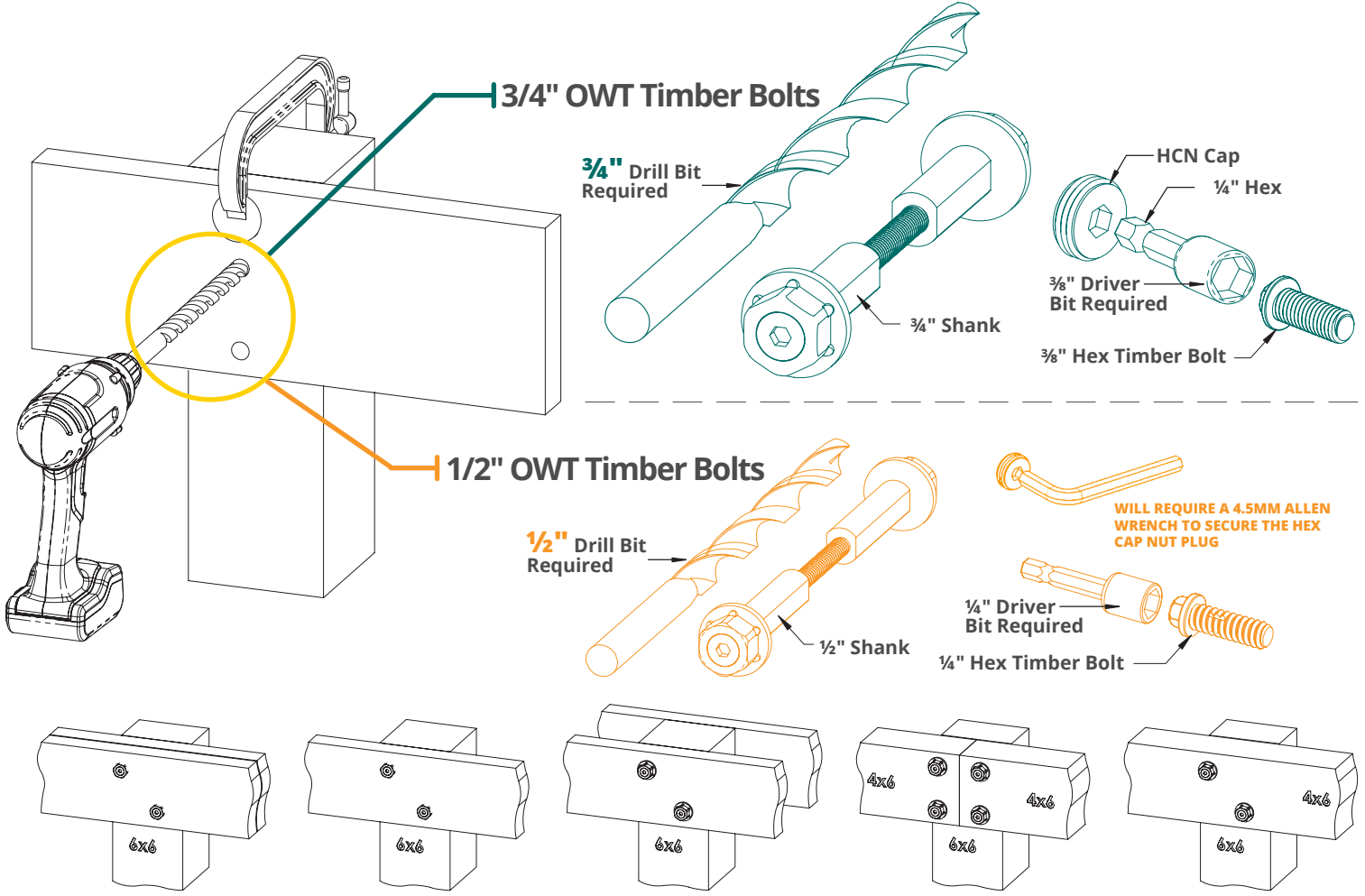
2 INSERT
Bolt Coupler Rod Through Drill Hole

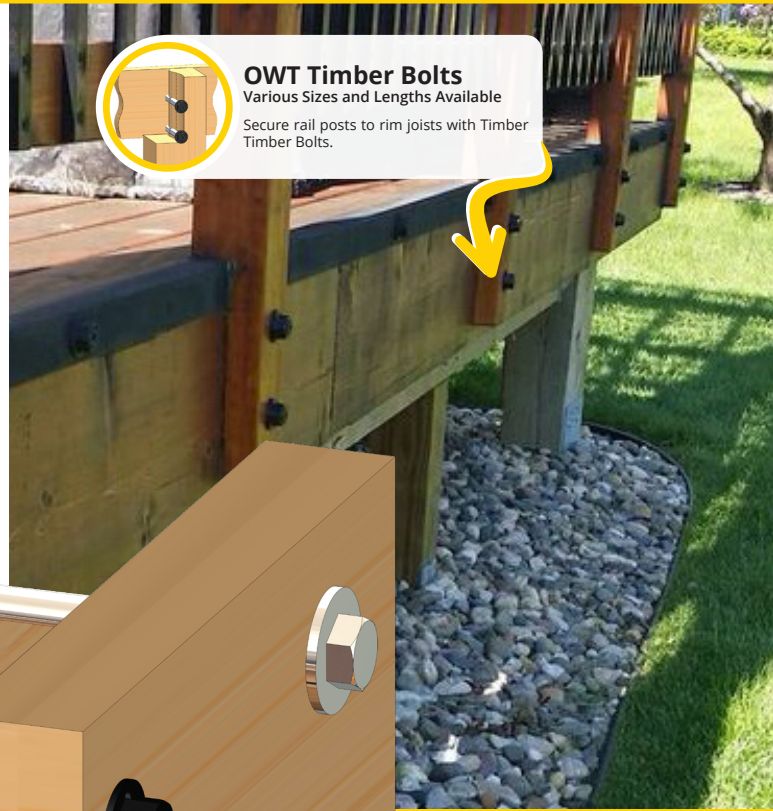


3 THREAD
End Hex Bolt Into Coupler Rod



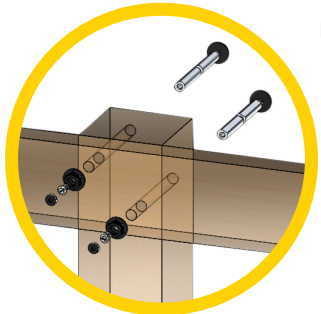
4 TIGHTEN
Then Replace the Hex Cap Nut Plug





OWT Timber Bolts
 Various Sizes and Lengths Available
 Secure rail posts to rim joists with Timber
 Timber Bolts.

OWT Timber Bolts

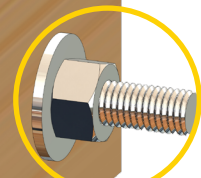


Each Bolt Size
 Adjusts Over 2" for
 the Perfect Size
 Every Time

Inserts Like a
 Traditional Bolt &
 Tightens From the
 Inside Out



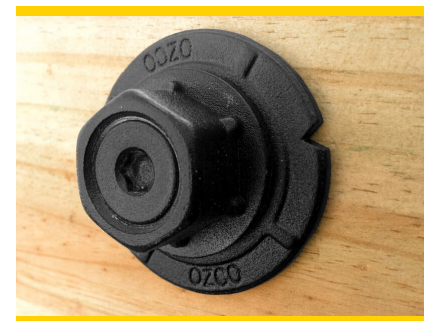
- Corrosion Resistant Coatings & Materials for Long Lasting Performance
- Attractive Design for Visible Connectors. A Perfect Finish to Any Project
- Washer Built Into the One Piece Hex Cap Nut



No Trimming of
 Unsightly & Potentially
 Dangerous Bolt Ends



Use the 2" Heavy Duty
 Timber Bolt Washer to
 Add Support & Impact.



Innovative Hex Cap Nut Design
 Prevents the Outside Coating
 from Being Marred or Damaged





3/4" OWT Timber Bolts - Technical Specifications

Table 1: Fastener Specifications

Item # 2pc Package / Bulk PKG	Fastener Dimensions (inches and millimeters are approximated)								Allowable Steel Strength (PSI)		
	Nominal	Shank	Root	Head	Overall Length		Connector Length	Threads Per Inch	Bending Yield Strength	Tensile Strength	Yield Strength
	Diameter			Min.	Max.						
56673 / 16673	3/8"	.393	.333	1.501	1 1/2" (38mm)	4.5" (114mm)	2" (50mm)	16	8,800	39,100	33,600
56649 / 16649	3/8"	.393	.333	1.501	4" (101mm)	6.5" (165mm)	2" (50mm)	16	8,800	39,100	33,600
56650 / 16650	3/8"	.393	.333	1.501	6" (152mm)	8.5" (216mm)	2" (50mm)	16	8,800	39,100	33,600
56651 / 16651	3/8"	.393	.333	1.501	8" (203mm)	10.5" (267mm)	2" (50mm)	16	8,800	39,100	33,600
56652 / 16652	3/8"	.393	.333	1.501	10" (254mm)	12.5" (318mm)	2" (50mm)	16	8,800	39,100	33,600

Table 1 NOTE: Bending yield strength determined in accordance with ASTM F 1575. Minimum thread engagement to connector shall be 15/16 inches.

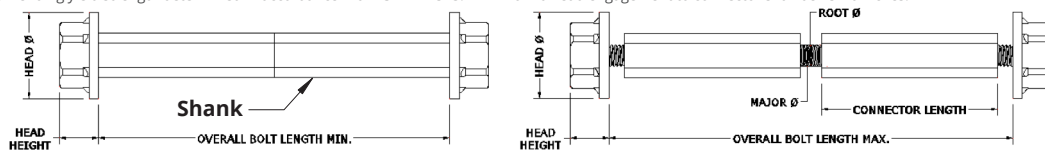


Table 2: Fastener Reference Withdrawal Values Wood-To-Wood Connectorss Specific Gravity, G=0.35 or Greater

Item # 2pc Package / Bulk PKG	Allowable Tension Perpendicular to Grain
	Pull-Over (lb)
56673 / 16673	713
56649 / 16649	713
56650 / 16650	713
56651 / 16651	713
56652 / 16652	713

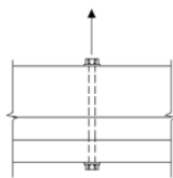


Table 3: Fastener Reference Lateral Design Values - Single Shear Connectors Specific Gravity, G=0.35 or Greater

Side Member Thickness (in)	Main Member Thickness (in)	Min. End Distance (in)	Min. Edge Distance (in)	Allowable Shear Capacity Parallel to Grain (lb)
1.5	3.5	2.5	1.6	1,232
1.5	3.5	2.5	1.6	1,232
1.5	3.5	2.5	1.6	1,232
1.5	3.5	2.5	1.6	1,232
1.5	3.5	2.5	1.6	1,232

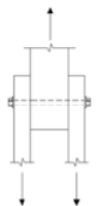
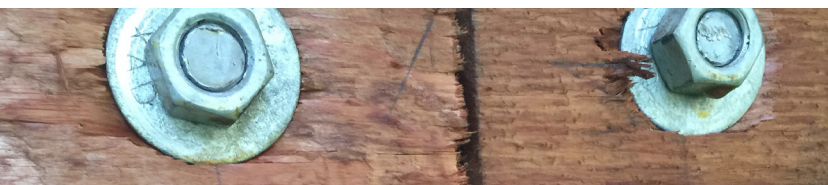


Table 2 NOTE: The tabulated reference pull-over design values shown are based on Allowable Stress Design (ASD) and must be multiplied by all applicable adjustment factors in accordance with 2012 NDS Section 10.3. Pull-over capacity based on 4"x4" and (2) 2"x4" wood members with tension perpendicular to grain. 4) Bolt pull through testing as per ASTM D 1037.

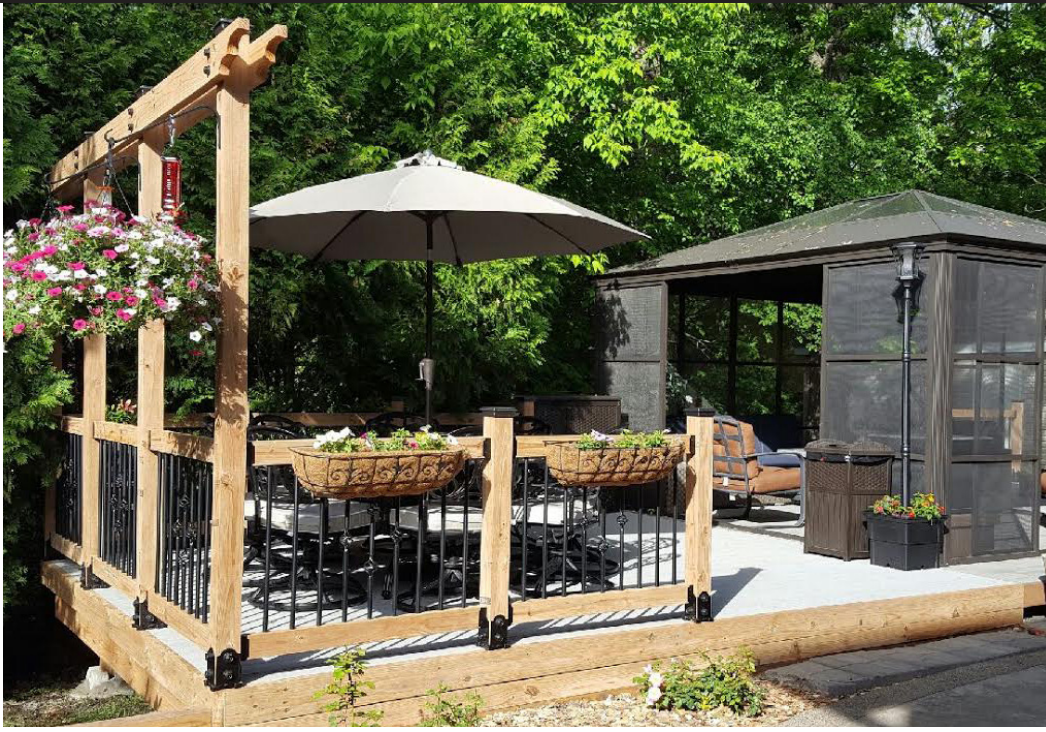
Table 3 NOTE: The tabulated reference lateral design values shown are based on Allowable Stress Design (ASD) and must be multiplied by all applicable adjustment factors in accordance with 2012 NDS Section 10.3.



🔧 A Simple Bolt Upgrade



Replace your bolts to create a stylish statement that's as strong as it is beautiful. Use the 2" Washer for added WOW! 🏡 Ideas ~ Team OZCO





Project #338

OWT TIMBER SCREWS:

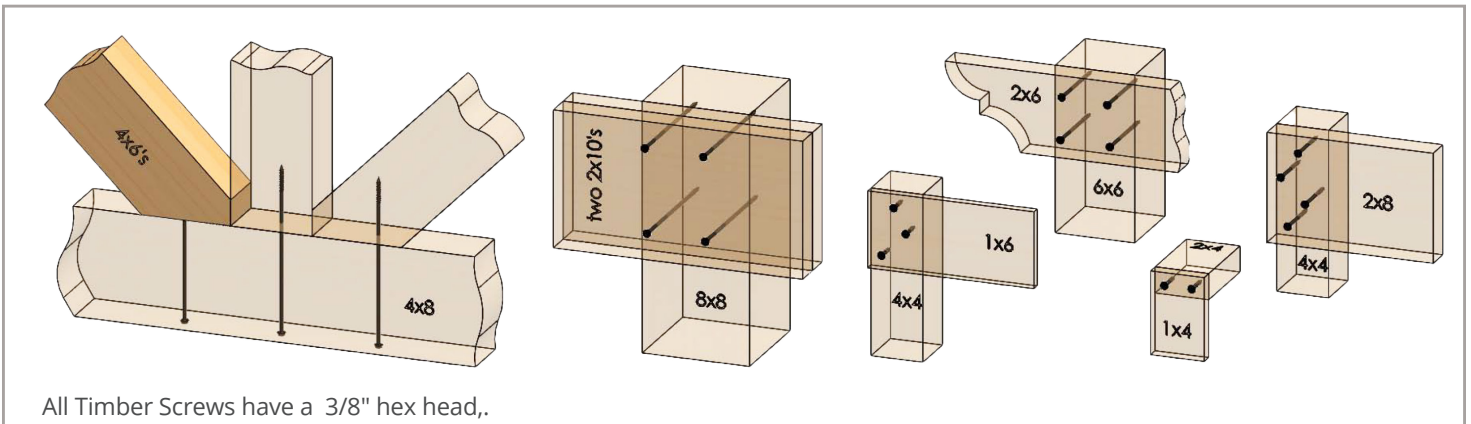
Made a tough job easy... These simple appearing screws work wonders. I used them to hold 2x8's up right on the pergola top. Just lined them up and screwed them in. No splits, off angle, misses just in and DONE!   James J. ~ Verified Buyer



1 1/2" Hex Cap Nut
Item #: 56621 (HCN)

Screws can be used with the Hex Cap Nuts & the Hammered Dome Caps for a more decorative look. **SOLD SEPARATELY**

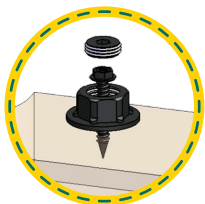
1/4" OWT Timber Screws Typical Installation Examples



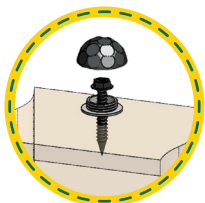
All Timber Screws have a 3/8" hex head,.



Screws (opposite page) can be used with the Hex Cap Nuts & the Hammered Dome Caps (page 73) for a more decorative look. **ALL SOLD SEPARATELY**



1 1/2" Hex Cap Nut
Item #: 56621 (HCN)



1 1/4" Hammered Dome Cap Nut
Item #: 56622 (DCN)



1/4" OWT Timber Screw Packaging Levels

Size	Item # Description	Blister Pack	MSRP	Item # Description	Bin Qty	MSRP
1 3/4" (45mm)	56625 (OWT175)	25pcs	\$4.55	16625 (OWT175B)	1000pcs	\$111.10
2 3/4" (70mm)	56626 (OWT275)	25pcs	\$8.88	16626 (OWT275B)	600pcs	\$90.90
3 3/4" (95mm)	56627 (OWT375)	25pcs	\$10.09	16627 (OWT375B)	450pcs	\$120.19
5 3/4" (145mm)	56628 (OWT575)	25pcs	\$17.16	16628 (OWT575B)	250pcs	\$120.19
7 1/2" (190mm)	56629 (OWT750)	25pcs	\$20.69	16629 (OWT750B)	250pcs	\$124.23
10" (254mm)	56647 (OWT10)	10pcs	\$11.34	16647 (OWT10B)	50pcs	\$36.61
12" (304mm)	56648 (OWT12)	10pcs	\$25.24	16648 (OWT12B)	50pcs	\$97.97

OWT Timber Screws are heavy duty fasteners specifically designed for wood to wood Connectors indoors or outdoors including contact with ACQ treated lumber. No pre-drilling is required when proper end and edge distances are maintained for most construction lumber materials.

Full product specifications available on OZCOBP.com. A design professional should be consulted when making critical Connectors to ensure the locations and quantity of fasteners meets local and national code requirements. Not recommended for salt water applications.



Table 1: Fastener Specifications

Item # Package / BULK	Fastener Dimensions (inches and millimeters are approximated)						Allowable Steel Strength					
	Major	Shank	Root	Head	Overall Length	Length of Thread	Threads per Inch	Bending Yield Strength (PSI)	Tensile Strength (PSI)	Yield Strength (PSI)	Shear Strength (PSI)	
	Diameter											
56625 / 16625	1/4"	.207	.166	.594	1 3/4" (45mm)	1 3/4" (45mm)	7	32,700	62,600	48,800	1,800	
56626 / 16626	1/4"	.207	.166	.594	2 3/4" (70mm)	2" (50mm)	7	32,700	62,600	48,800	1,800	
56627 / 16627	1/4"	.207	.166	.594	3 3/4" (95mm)	2" (50mm)	7	32,700	62,600	48,800	1,800	
56628 / 16628	1/4"	.207	.166	.594	5 3/4" (145mm)	2" (50mm)	7	32,700	62,600	48,800	1,800	
56629 / 16629	1/4"	.207	.166	.594	7 1/2" (190mm)	2" (50mm)	7	32,700	62,600	48,800	1,800	
56647 / 16647	1/4"	.207	.166	.594	10" (254mm)	2" (50mm)	7	32,700	62,600	48,800	1,800	
56648 / 16648	1/4"	.207	.166	.594	12" (304mm)	2" (50mm)	7	32,700	62,600	48,800	1,800	

Table 1 NOTE: Bending yield strength determined in accordance with ASTM F 1575.

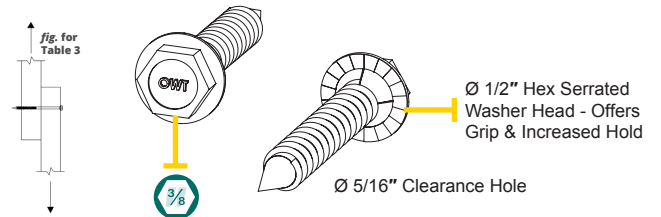
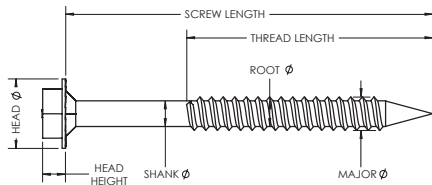


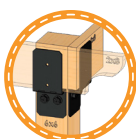
Table 2: Fastener Reference Withdrawal Values Wood-To-Wood Connectors Specific Gravity, G=0.35 or Greater

Item # Package / BULK	Length of Thread Penetration	Allowable Perpendicular to Grain	
		Withdrawal, W ² (lb)	Pull-Over ⁵ (lb)
56625 / 16625	1 3/4" (45mm)	161	275
56626 / 16626	2" (50mm)	403	275
56627 / 16627	2" (50mm)	403	275
56628 / 16628	2" (50mm)	403	275
56629 / 16629	2" (50mm)	403	275
56647 / 16647	2" (50mm)	403	275
56648 / 16648	2" (50mm)	403	275

Table 3: Fastener Reference Lateral Design Values - Single Shear Connectors Specific Gravity, G=0.35 or Greater

Minimum Fastener Penetration Into Main Member (in)	Side Member Thickness (in)	Min. End Distance (in)	Min. Edge Distance (in)	Allowable Capacity Parallel to Grain (lb)
1.5	1.5	2.00	1.5	242
1.5	1.5	2.00	1.5	242
1.5	1.5	2.00	1.5	242
1.5	1.5	2.00	1.5	242
1.5	1.5	2.00	1.5	242
1.5	1.5	2.00	1.5	242
1.5	1.5	2.00	1.5	242

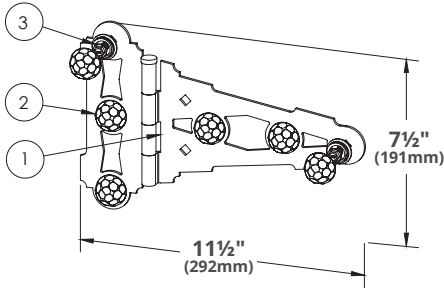
Table 2 NOTE: The tabulated reference withdrawal design values shown are based on Allowable Stress Design (ASD) and must be multiplied by all applicable adjustment factors in accordance with 2012 NDS Section 10.3. Screw withdrawal and pull through testing as per ASTM D 1037.



Post to Beams are another great product to pair with the OWT Timber Screws, **SOLD SEPARATELY** see pages 23-27 for all options.



Scan to Watch This Product's Video



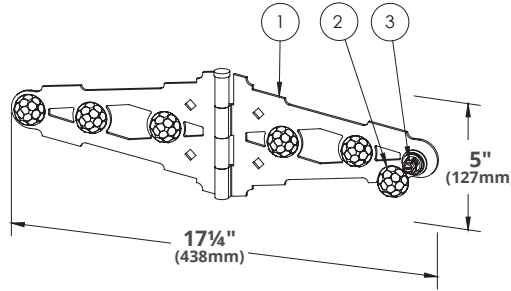
"T" Hinge Kit

Item #: 56653 (T-HINGE)

MSRP: \$65.09

Kit Includes:

- 1 3 "T" Hinges
- 2 18 Hammered Dome Caps
- 3 18 1 3/4" OWT Timber Screws



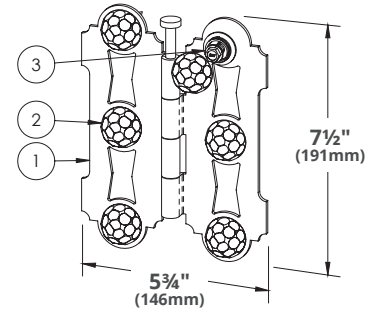
Strap Hinge Kit

Item #: 56654 (S-HINGE)

MSRP: \$55.79

Kit Includes:

- 1 3 Strap Hinges
- 2 18 Hammered Dome Caps
- 3 18 1 3/4" OWT Timber Screws



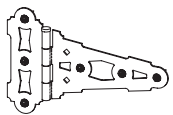
Butterfly Hinge Kit

Item #: 56655 (B-HINGE)

MSRP: \$52.09

Kit Includes:

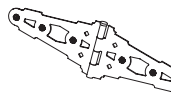
- 1 3 Butterfly Hinges
- 2 18 Hammered Dome Caps
- 3 18 1 3/4" OWT Timber Screws



Single BULK 20pcs

Item #: 56661 (T-HINGE-S)

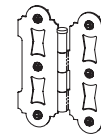
MSRP: \$10.69



Single BULK 20pcs

Item #: 56662 (S-HINGE-S)

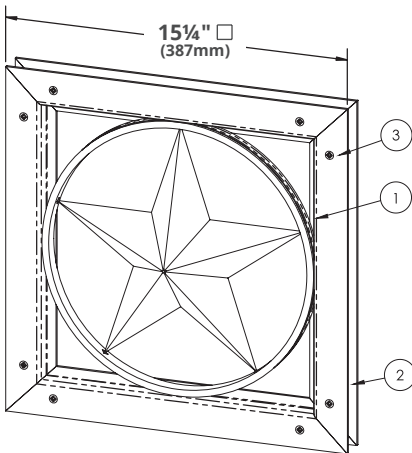
MSRP: \$12.99



Single BULK 20pcs

Item #: 56663 (B-HINGE-S)

MSRP: \$12.99



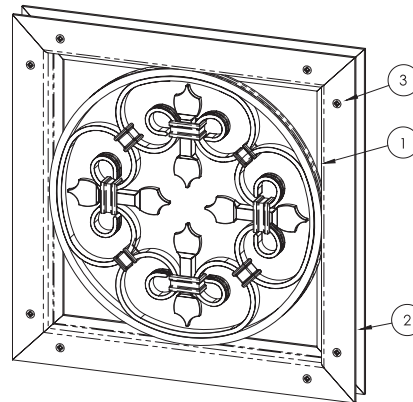
15 1/4" x 15 1/4" Star Accent

Item #: 56665 (GA-STAR)

MSRP: \$56.29

Kit Includes:

- 1 1 Decorative Insert
- 2 1 Mounting Frame
- 3 16 #10 x 1/2" Screws



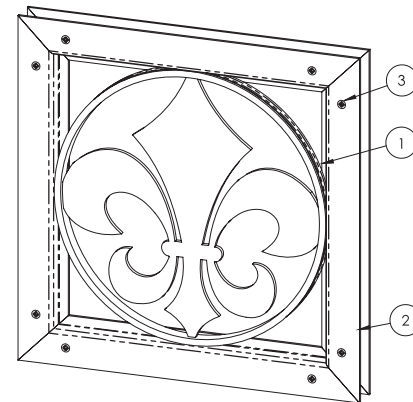
15 1/4" x 15 1/4" Scroll Accent

Item #: 56658 (GA-SCROLL)

MSRP: \$56.69

Kit Includes:

- 1 1 Decorative Insert
- 2 1 Mounting Frame
- 3 16 #10 x 1/2" Screws



15 1/4" x 15 1/4" Fleur-De-Lis Accent

Item #: 56659 (GA-FDL)

MSRP: \$52.99

Kit Includes:

- 1 1 Decorative Insert
- 2 1 Mounting Frame
- 3 16 #10 x 1/2" Screws



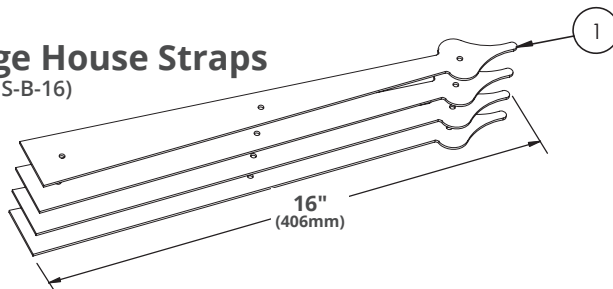
16" Carriage House Straps

Item #: 56100 (CHS-B-16)

MSRP: \$8.79

Kit Includes:

- 1 4 Straps



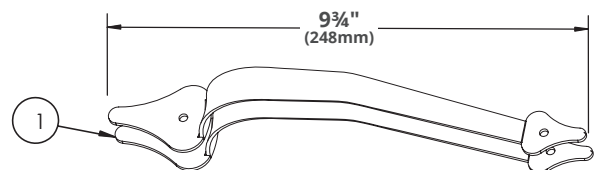
9 3/4" Carriage House Handles

Item #: 56110 (CHH-B-975)

MSRP: \$4.39

Kit Includes:

- 1 2 Handles



Standard Latch Kit

Item #: 56656 (S-LATCH)

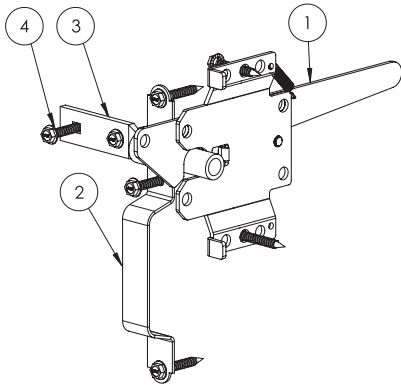
MSRP: \$10.89

Kit Includes:

- ① 1 Self-Latching System
- ② 1 Handle
- ③ 1 Slide Bolt
- ④ 7 1¼" OWT Timber Screws

2.1 lbs 0.95 kg 

Single BULK 12pcs
Item #: 56664 (S-LATCH-S)



13"x13" Speak Easy Accent

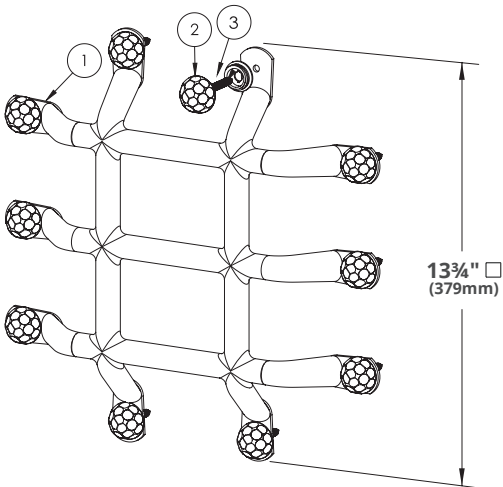
Item #: 56660 (GA-EASY)

MSRP: \$48.39

Kit Includes:

- ① 1 Decorative Accent
- ② 10 Hammered Dome Caps
- ③ 10 1¼" OWT Timber Screws

2.5 lbs 1.13 kg 



Project #410



Project #411



Project #412

Project #262 — Fence & Gate



FREE
Project Plans
Cut Lists, Material Lists &
Step by Step How To
OZCObp.com



Download on the
App Store



Search & Download
OZCO Project Explorer App TODAY!



Project #418



Ornamental Anchors

Item #: 56633 (6x6-OPAK-LS)

Drivable ornamental post anchors rustically refine with attention to detail surpassing all other post bases. See [Page 91](#)



Project #520



2 3/8" Steel To Wood Bracket

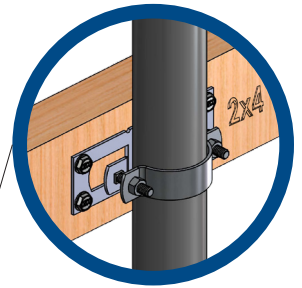
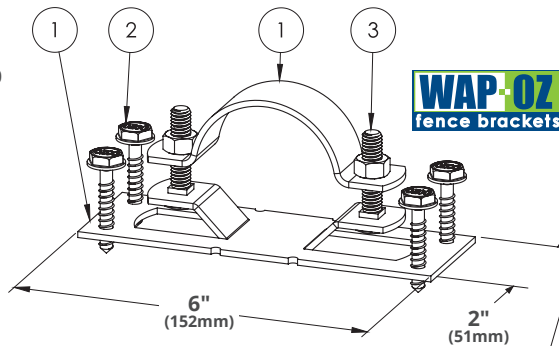
Item #: 50110 (WAP-OZ) Individually Packaged MSRP: \$2.90

Item #: 50111 (WAP-OZ) 50pk Bulk MSRP: \$138.59

Assembled & Ready To Install

Assembly Includes:

- 1 1 Strap & Base
- 2 4 1/4" Lag Screws
- 3 2 5/16" Carriage Bolts



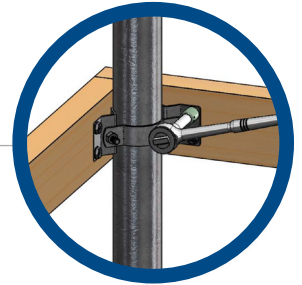
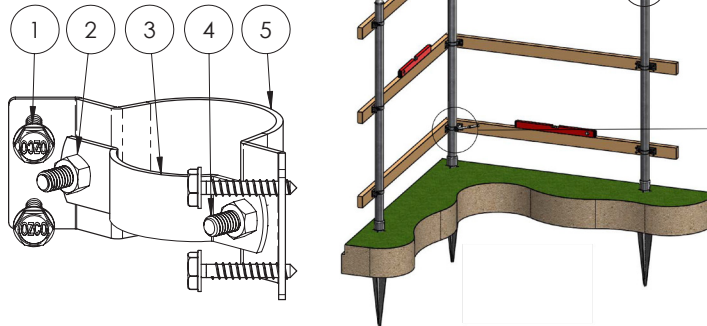
2 3/8" Steel To Wood Bracket 90°

Item #: 50140 (WAP-238-90) Individually Packaged MSRP: \$3.69

Assembled & Ready To Install

Assembly Includes:

- 1 4 Screw, Lag, #14-10 x 36mm
- 2 2 Nut, Hex 5/16-18
- 3 1 Strap, 2 3/8" WAP-238-90
- 4 2 Bolt, Carriage 5/16-18 x 1.5
- 5 1 Bracket, 2 3/8" WAP-238-90



2 3/8" Steel To Wood Bracket

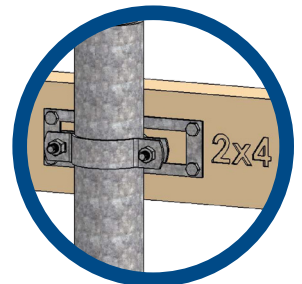
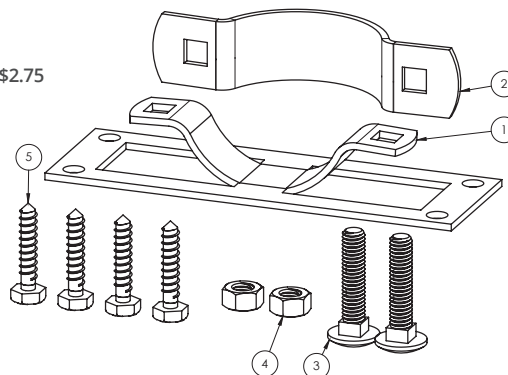
Item #: 50100 (WAP-238) Individually Packaged MSRP: \$2.75

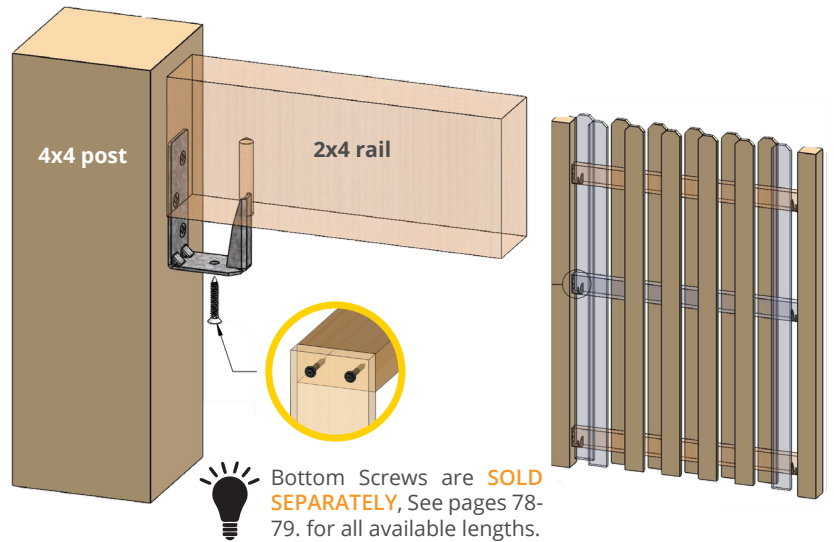
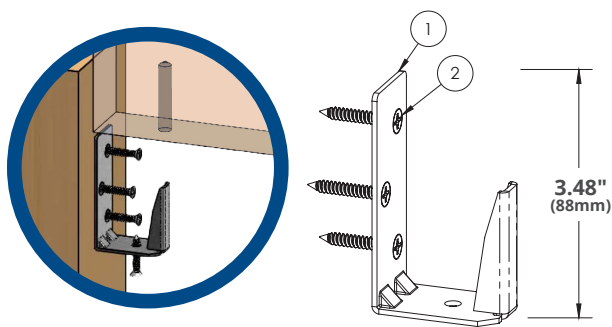
Item #: 50130 (WAP-238) 50pk Bulk MSRP: \$117.99

Assembly Is Required

Parts Includes:

- 1 1 Bracket Base
- 2 1 Bracket Strap
- 3 2 5/16" Carriage Bolts
- 4 2 5/16" Carriage Bolt Nuts
- 5 4 1/4" x 1 1/4" Lag Screws





Wood To Wood Bracket

Item #: 50120 (W2W-FB)

MSRP: \$2.19

Includes:

- 1 2 Brackets
- 2 6 Flat Head (#10 x 1¼)



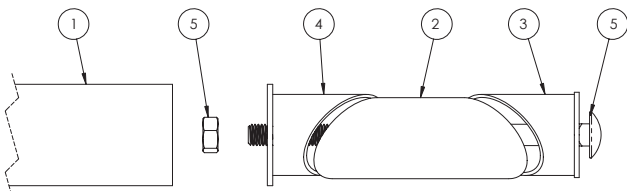
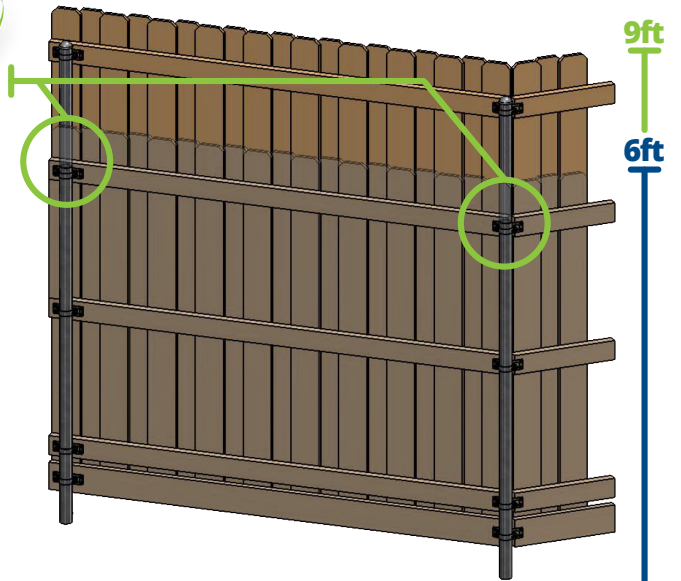
3' Post Extender for 2 3/8" Steel Posts

Item #: 20550 (OZ-PST-EXT)

MSRP: \$27.89

Parts Includes:

- 1 1 3' Post, 2-3/8" Galvanized Steel
- 2 1 Sleeve Post Extender Middle
- 3 1 Upper Assembly
- 4 1 Lower Assembly
- 5 1 1/2" Carriage Bolt & Hex Nut



HDG

ACQ

CRC

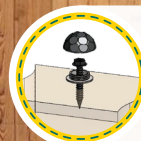
12" 3mm



Speak Easy Accent

Item #: 56660 (GA-EASY)

These accents can be used not only gates, your imagination is the limit. [See Page 81](#)



Hammered Dome Caps

Item #: 56622 (DCN)

The Hammered Dome Caps are accents that take a project to the next level aesthetically. [See Page 69](#)



OZCO

would like to

Thank you

When Your Project Is Complete

We would like to reward your hard work with a limited distributed OZCO Bottle Opener, Now all you have to do is...



RECEIVE
a **FREE** bottle opener

SNAP
one or more pics

Then simply send using one of the options below

TEXT
to **4692151777**
be sure to include your name & ship to address

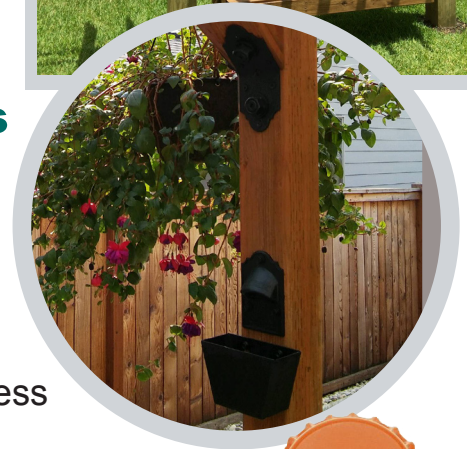
WEB
by going to
OZCObp.com/submit-your-project-pic/

The Coolest of The Cool

From Memorial to Labor Day the Coolest of the Cool will be chosen in bi-weekly drawings & will receive an OZCO vintage style cooler! Announced on Facebook.



Giveaway items are not available for purchase so the only way to get one is to snap some pictures and send them to us. Simply choose an option above to send in your photos and your OZCO bottle opener will be on its way in 14-21 business days, as long as photo requirements are met.



Post Anchors for Fences, Decks, Signs & More



FREE Project Plans
 Step by Step How To's
 Material & Cut Lists
OZCObp.com

- Meets or exceeds building codes
- Great for areas with Rocks, Roots and Deep Frost Lines
- Suitable for contact with ACQ treated lumber
- Wind Load Tested to 120mph for Privacy Fencing (not all models)

Post Holes Are History...Use Oz-Post®!
 You don't have to dig post holes to secure a post in the ground.

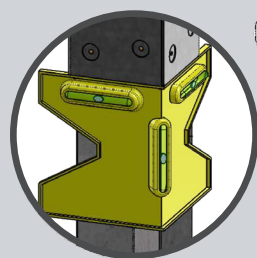


Driving Options

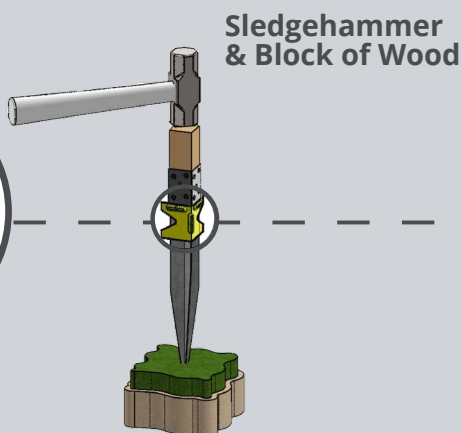


To manually drive posts use Item #: 20500 **Manual Driving Kit (MDK)** or for larger projects requiring a jackhammer use Item #: 20480 **Jackhammer Driving Kit (JDK)**.

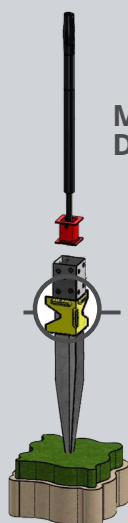
Check Level Periodically



Post Level
 (sold separately)
 Item #: 50740



Sledgehammer & Block of Wood



Manual Driver Kit

MDK-13
 (sold separately)
 Item #: 20500



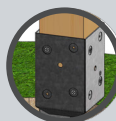
Jackhammer Driver Kit

JDK-10
 (sold separately)
 Item #: 20480

Securing Post Options



Method One
 Post Sleeve Halfway
 With Screws & Adhesive



Method Two
 Post Sleeve Ground
 Level With Screws Only



Method Three
 Post Sleeve Halfway
 With Offset Lag Bolts



Method Four
 Full Ground Level With
 Adhesive Only

CAUTION: Precautions have been taken to assure accuracy of the information in this catalog. Product dimensions in this electronic catalog are nominal and are provided for the convenience of our customers. Oz-Post® reserves the right to make product changes from time to time, without prior notification, which may change the information shown. We therefore recommend they be checked before using for any projects.



Project #282



Project #110



Project #111



Drivable Ornamental Post Anchors for Timber & Cedar



4" x 4" Post Anchor Kit

Item #: 56632 (4X4-OPAK-LS)

MSRP: \$62.29

Kit Includes:

- ① 1 Post Anchor
- ② 4 Decorative Plates
- ③ 8 Hex Cap Nuts
- ④ 8 1 3/4" OWT Timber Screws

4 250 lbs **↑** 113 kg **-.12"** 3mm **9.2 lbs** **▲** 4.17 kg



6" x 6" Post Anchor Kit

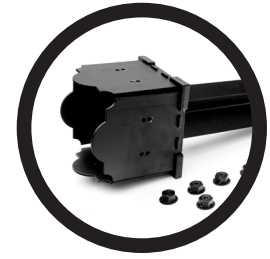
Item #: 56633 (6X6-OPAK-LS)

MSRP: \$96.69

Kit Includes:

- ① 1 Post Anchor
- ② 4 Decorative Plates
- ③ 8 Hex Cap Nuts
- ④ 8 2 3/4" OWT Timber Screws

4 250 lbs **↑** 113 kg **-.20"** 5mm **15.2 lbs** **▲** 6.89 kg



8" x 8" Post Anchor Kit

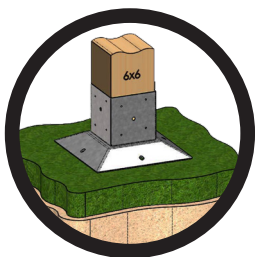
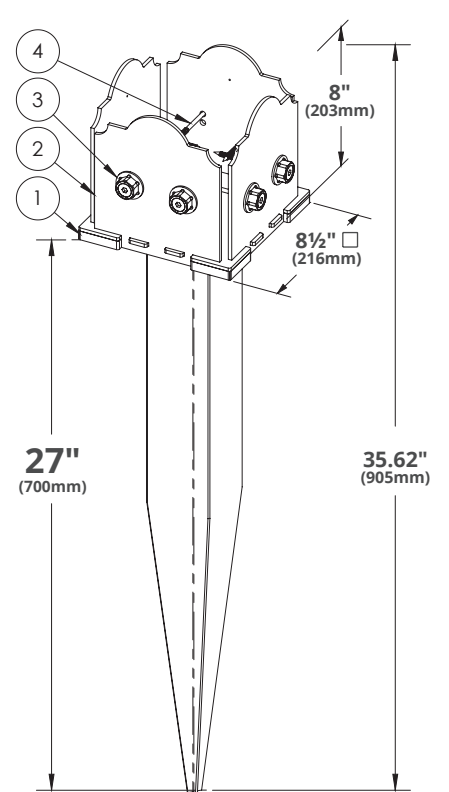
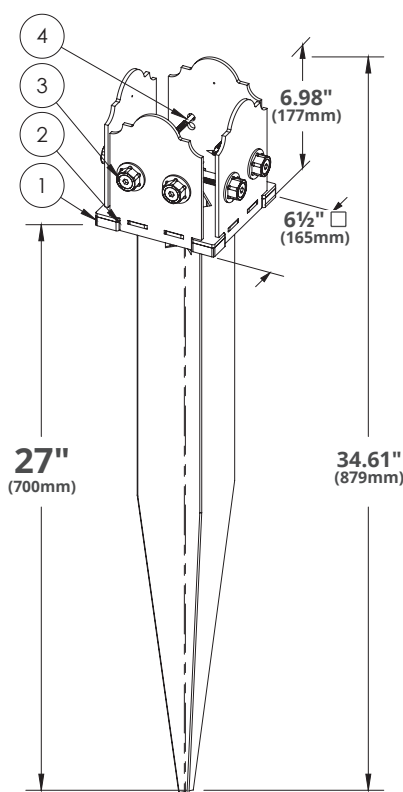
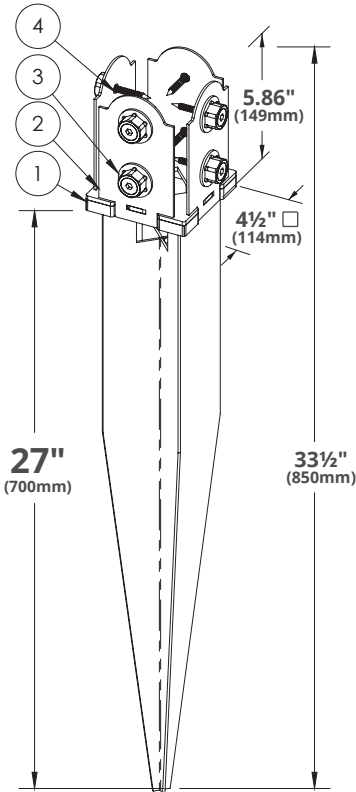
Item #: 56634 (8X8-OPAK-LS)

MSRP: \$131.09

Kit Includes:

- ① 1 Post Anchor
- ② 4 Decorative Plates
- ③ 8 Hex Cap Nuts
- ④ 8 3 3/4" OWT Timber Screws

2 250 lbs **↑** 113 kg **-.20"** 5mm **21.6 lbs** **▲** 9.78 kg



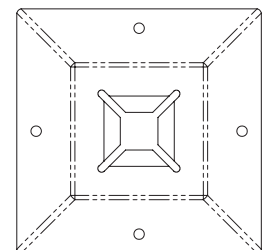
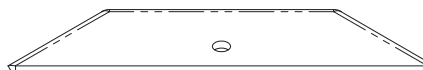
12" x 12" Deck Plate

Item #: 50880 (OD-T4)

MSRP: \$22.29



OZ-Deck Foundation System can be used with many of the wood post anchors, including the Ornamental Anchors on this page. **SOLD SEPARATELY** see page 98.



G-PC

ACQ

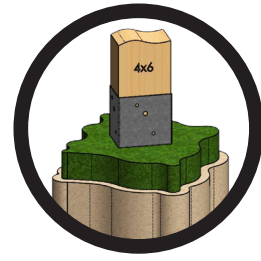
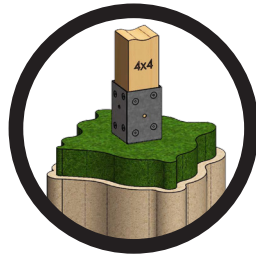
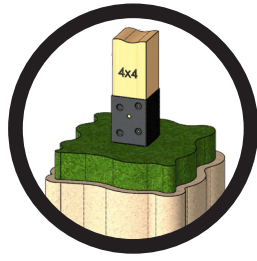
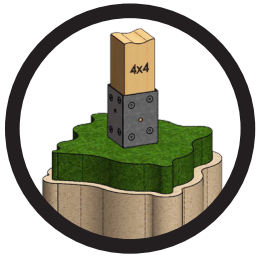
CRC



250 lbs
113 kg



Drivable Post Anchors for Timber & Cedar



24" 4"x4"
(Actual 3½"x3½")

Item #: 30180 (T4-600)
MSRP: \$20.49

Kit Includes:

1 Post Anchor 

$\frac{.12"}{3\text{mm}}$ \longleftrightarrow $\frac{550\text{ lbs}}{249\text{ kg}}$ $\frac{5.6\text{ lbs}}{2.54\text{ kg}}$ 

27" 4"x4"
(Actual 3½"x3½")

Item #: 30700 (MB-24)
MSRP: \$15.79

Kit Includes:

1 Post Anchor 

$\frac{.08"}{2\text{mm}}$ \longleftrightarrow $\frac{4.31\text{ lbs}}{1.95\text{ kg}}$ 

34" 4"x4"
(Actual 3½"x3½")

Item #: 30160 (T4-850)
MSRP: \$25.09

Kit Includes:

1 Post Anchor 

$\frac{.08"}{2\text{mm}}$ \longleftrightarrow $\frac{550\text{ lbs}}{249\text{ kg}}$ $\frac{7.7\text{ lbs}}{3.49\text{ kg}}$ 

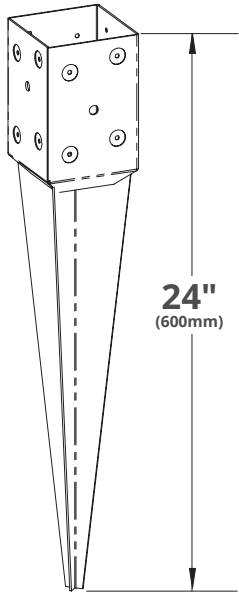
36" 4"x6"
(Actual 3½"x5½")

Item #: 30380 (T46-850)
MSRP: \$29.79

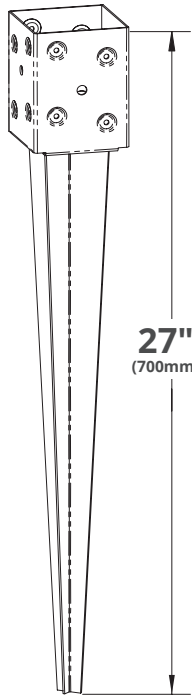
Kit Includes:

1 Post Anchor 

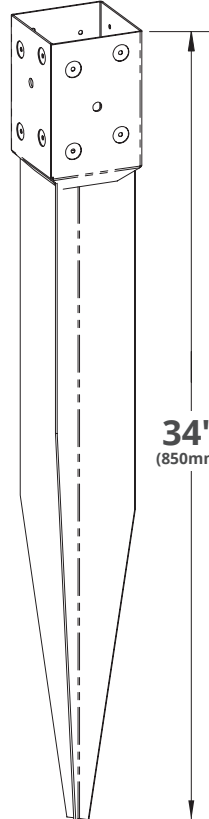
$\frac{.12"}{3\text{mm}}$ \longleftrightarrow $\frac{700\text{ lbs}}{317\text{ kg}}$ $\frac{11.8\text{ lbs}}{5.35\text{ kg}}$ 



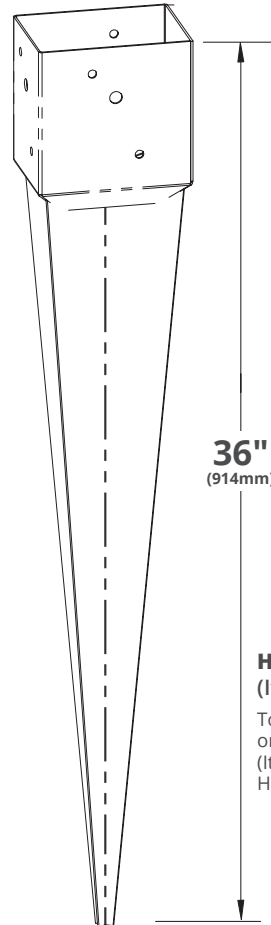
24"
(600mm)



27"
(700mm)



34"
(850mm)



36"
(914mm)

Jackhammer Driver Kit
Item #: 20480 (JDK-10)
Sold Separately

To manually drive posts use Item #: 20500 Manual Driving Kit (MDK) or for larger projects requiring a jackhammer use Item #: 20480 Jackhammer Driving Kit (JDK). The HSP-T4 is included with both kits and works with the 4x4 wood posts, the purchase of an additional spacer may be required and will be noted with each product. See Page 100 for all tools and corresponding product.

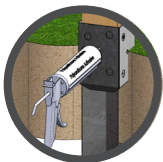


HSP-T46
(Item #: 40520)

To Drive Post use the MDK or the OH-01 Driver Bit (Item #: 20480) & Spacer HSP-T46 (sold separately).



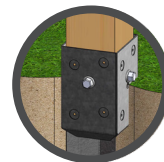
Securing Post Options



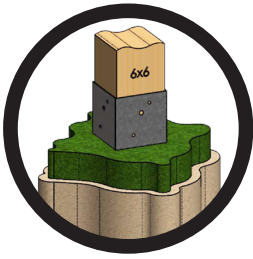
Method One
Post Sleeve Halfway
With Screws & Adhesive



Method Two
Post Sleeve Ground
Level With Screws Only



Method Three
Post Sleeve Halfway
With Offset Lag Bolts



36" 6"x6" (Actual 5½"x5½")

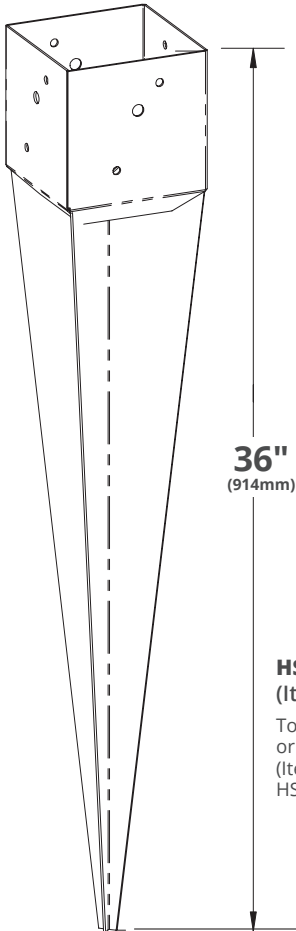
Item #: 30400 (T6-850)

MSRP: \$43.69

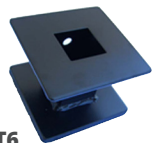
Kit Includes:

- 1 Post Anchor 

 .12" / 3mm
 700 lbs / 317 kg
 14.1 lbs / 6.39 kg



36"
(914mm)



HSP-T6
(Item #:40540)

To Drive Post use the MDK or the OH-01 Driver Bit (Item #: 20480) & Spacer HSP-T6 (sold separately).



Project #251



Method Four
Full Ground Level With
Adhesive Only



Scan to Watch
Product Video

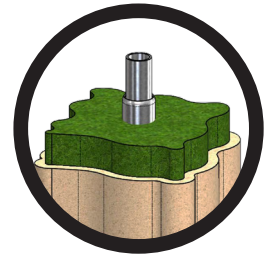
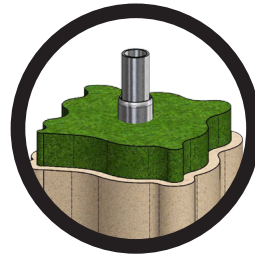
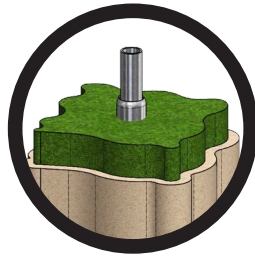
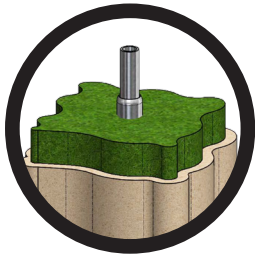


ACQ

HDG

250 lbs ↑ 113 kg

Drivable Post Anchors for Round Steel Posts



27" 1 5/8" Diameter

Item #: 30000 (GB-700)

MSRP: \$19.49

Kit Includes:

1 Post Anchor 

$\frac{.08"}{2\text{mm}}$ \longleftrightarrow 550 lbs / 249 kg  5.3 lbs / 2.4 kg

27" 1 7/8" Diameter

Item #: 30020 (HB-700)

MSRP: \$22.29

Kit Includes:

1 Post Anchor 

$\frac{.08"}{2\text{mm}}$ \longleftrightarrow 550 lbs / 249 kg  76 lbs / 2.81 kg

24" 2 3/8" Diameter

Item #: 30060 (IS-600)

MSRP: \$23.19

Kit Includes:

1 Post Anchor 

$\frac{.12"}{3\text{mm}}$ \longleftrightarrow 750 lbs / 340 kg  6.4 lbs / 2.9 kg

34" 2 3/8" Diameter

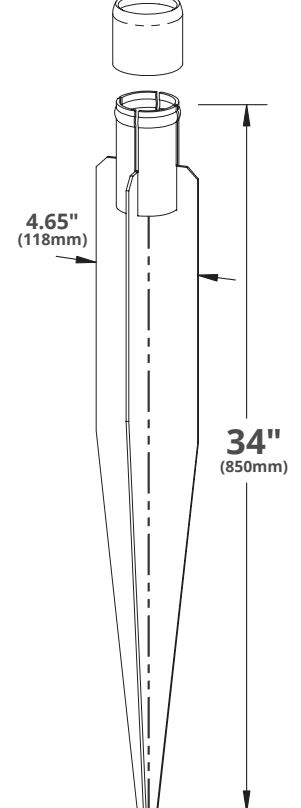
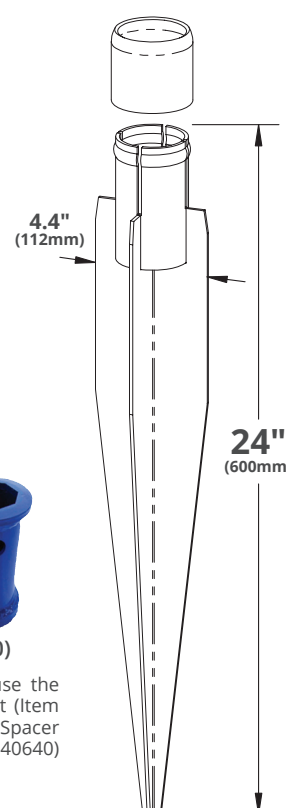
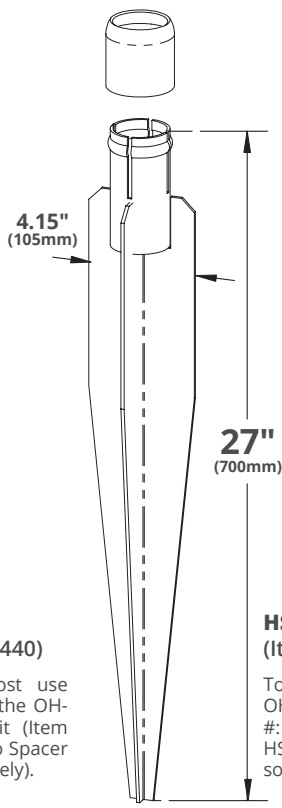
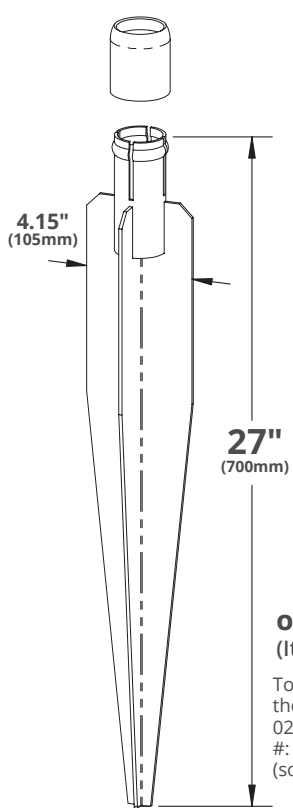
Item #: 30040 (ISW-850)

MSRP: \$29.79

Kit Includes:

1 Post Anchor 

$\frac{.12"}{3\text{mm}}$ \longleftrightarrow 750 lbs / 340 kg  8.6 lbs / 3.9 kg



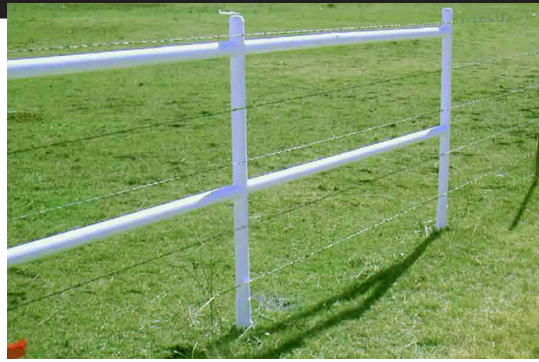
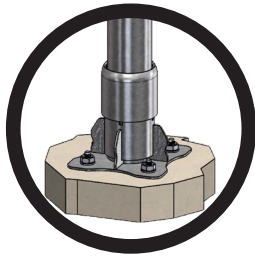
Scan to Watch This Product's Video



Jackhammer Driver Kit
Item #: 20480 (JDK-10) Sold Separately

To manually drive posts use Item #: 20500 Manual Driving Kit (MDK) or for larger projects requiring a jackhammer use Item #: 20480 Jackhammer Driving Kit (JDK). The HSP-T4 is included with both kits and works with the 4x4 wood posts, the purchase of an additional spacer may be required and will be noted with each product. See Page 100 for all tools and corresponding product.






2 3/8" Steel to Steel Post Base

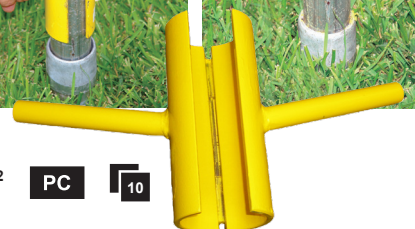
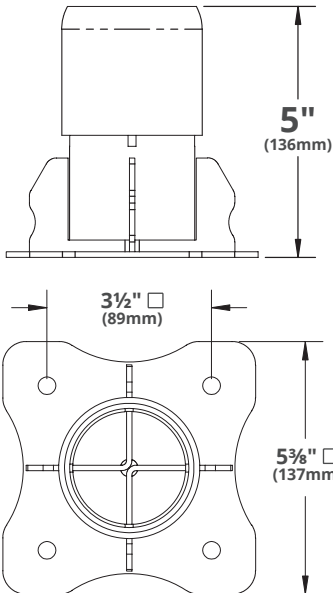
Item #: 30500 (238-IS-PB)

MSRP: \$16.99

Kit Includes:

1 Post Base 

$\frac{.12"}{3\text{mm}}$ \longleftrightarrow 750 lbs / 340 kg \blacktriangle 3.35 lbs / 1.52 kg



CDT-07 Cap Driving Tool*

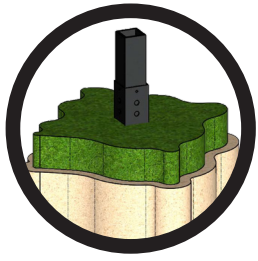
Item #: 50890 (SOLD SEPARATELY)

MSRP: \$17.99

6 lbs / 2.72 kg 

* Tool used to secure the compression collar to all round steel post models.

Drivable Post Anchors for Ornamental Fencing

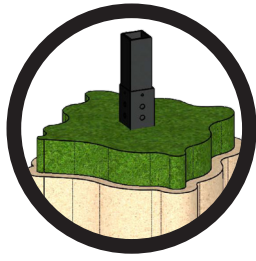


24" 2"x2"
 Item #: 30320 (I2-600)
 MSRP: \$17.69
 Kit Includes:

1 Post Anchor



To Drive Post use the MDK or JDK, No Spacer needed.

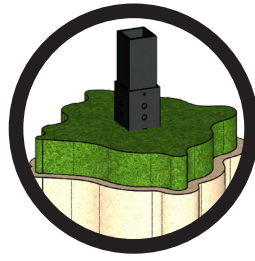


34" 2"x2"
 Item #: 30300 (I2-850)
 MSRP: \$19.49
 Kit Includes:

1 Post Anchor



To Drive Post use the MDK or JDK, No Spacer needed.

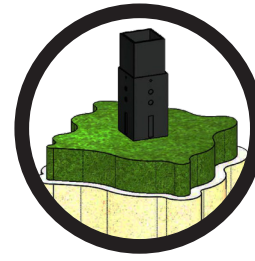


34" 2½"x2½"
 Item #: 30340 (I25-850)
 MSRP: \$23.19
 Kit Includes:

1 Post Anchor



To Drive Post use the MDK or JDK with Spacer HSP-I25 (Item #: 40580).

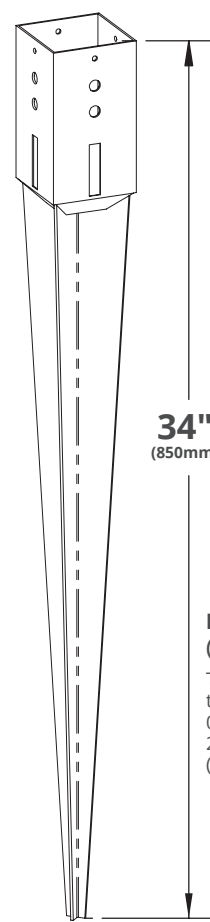
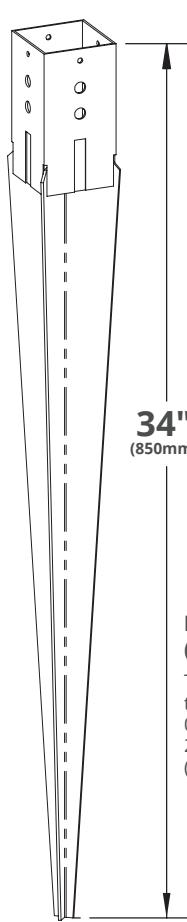
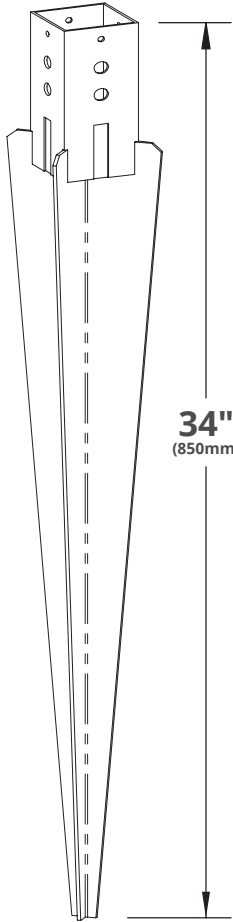
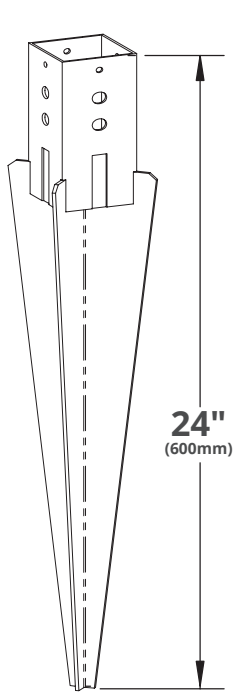


34" 3"x3"
 Item #: 30360 (I3-850)
 MSRP: \$29.79
 Kit Includes:

1 Post Anchor



To Drive Post use the MDK or JDK with Spacer HSP-I3 (Item #: 40600).



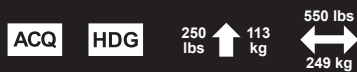
HSP-I25
 (Item #: 40580)
 To Drive Post use the MDK or the OH-01 Driver Bit (Item #: 20480) & Spacer HSP-I25 (sold separately).



HSP-I3
 (Item #: 40600)
 To Drive Post use the MDK or the OH-01 Driver Bit (Item #: 20480) & Spacer HSP-I3 (sold separately).

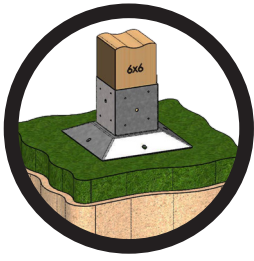
Jackhammer Driver Kit
 Item #: 20480 (JDK-10) Sold Separately

To manually drive posts use Item #: 20500 Manual Driving Kit (MDK) or for larger projects requiring a jackhammer use Item #: 20480 Jackhammer Driving Kit (JDK). The HSP-T4 is included with both kits and works with the 4x4 wood posts, the purchase of an additional spacer may be required and will be noted with each product. See Page 100 for all tools and corresponding product.





Drivable Post Anchors & Deck Foundation System



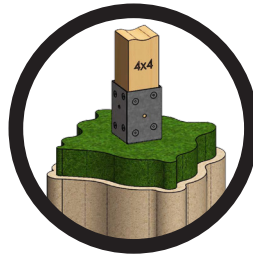
12" x 12" Deck Plate

Item #:50880 (OD-T4)

MSRP: \$22.29

Includes:

- 1 12" x 12" Deck Plate



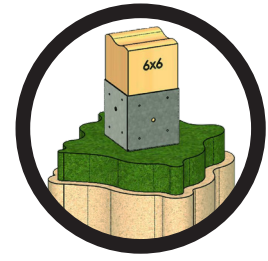
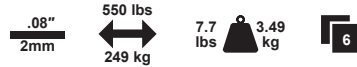
34" 4"x4" Post Anchor

(Actual 3 1/2"x3 1/2") Item #: 30160 (T4-850)

MSRP: \$25.09

Includes:

- 1 Post Anchor



36" 6"x6" Post Anchor

(Actual 5 1/2"x5 1/2") Item #:30410 (T6-700)

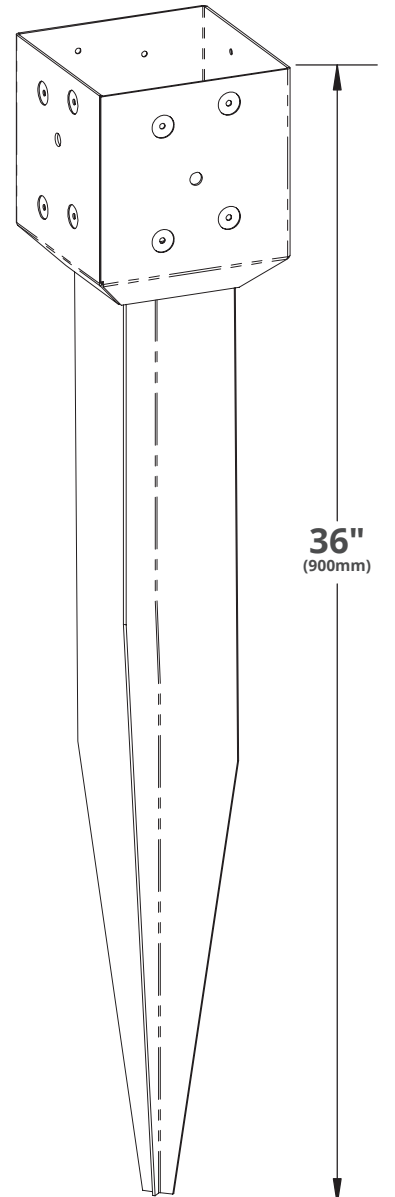
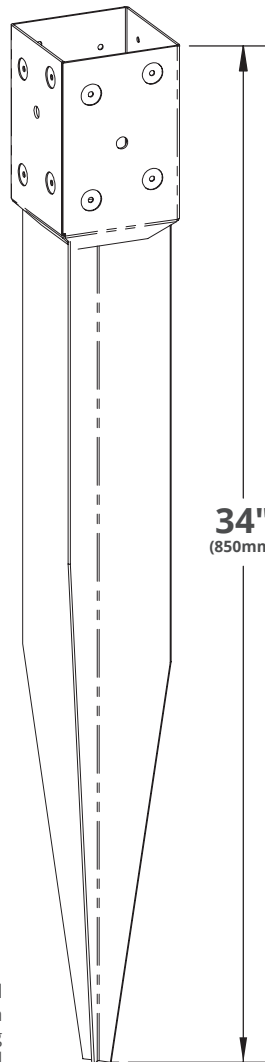
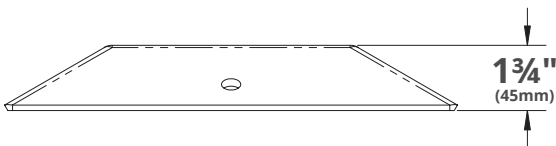
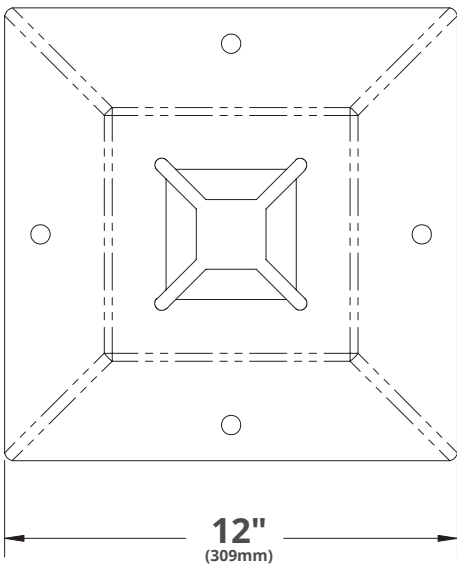
MSRP: \$30.69

Includes:

- 1 Post Anchor



Load Tested Up to 7000lbs



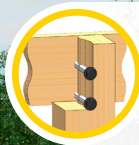
Jackhammer Driver Kit

Item #:20480 (JDK-10) Sold Separately

To manually drive posts use Item #: 20500 Manual Driving Kit (MDK) or for larger projects requiring a jackhammer use Item #: 20480 Jackhammer Driving Kit (JDK). The HSP-T4 is included with both kits and works with the 4x4 wood posts, the purchase of an additional spacer may be required and will be noted with each product. See Page 100 for all tools and corresponding product.



Scan to Watch This Product's Video



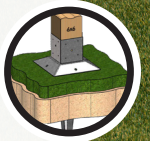
OWT Timber Bolts & Washers
Various Sizes and Lengths Available

Secure top hand rails to rail posts and to rim joists with Timber Bolts and Heavy Duty Washers.



OZ-Deck Foundation
Item #: 50880 (OD-T4)

The OZ-Deck Foundation System used in conjunction with the T4-850 Post Anchor is load tested to over 7000lbs.



Load Tested Up To 7000 lbs



Jackhammer Driver Kit
 Item #: 20480 (JDK-10)
 MSRP: \$39.99



Kit Includes:

- 1 OH-01 Driver Bit
- 1 HSP-T4 Red Spacer



Manual Driver Kit

Item #: 20500 (MDK-13)
 MSRP: \$39.99

Kit Includes:

- 1 Manual Driver
- 1 HSP-T4 Red Spacer



17.6 lbs 7.95 kg

Jackhammer Driver Bit

Item #: 20440 (OH-02)

MSRP: \$29.99

Includes: 1 Bit



Post Level

Item #: 50740

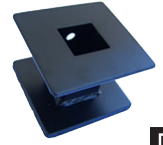
Includes: 1 Post Level



HSP-HB
 (Item #: 40640)
 MSRP: \$9.85



HSP-I3
 (Item #: 40600)
 MSRP: \$10.25



HSP-T6
 (Item #: 40540)
 MSRP: \$10.86



HSP-I25
 (Item #: 40580)
 MSRP: \$10.11



HSP-T46
 (Item #: 40520)
 MSRP: \$14.28

Scan to Watch This Product's Video



OZ-Puller with Plug & Post Clamp

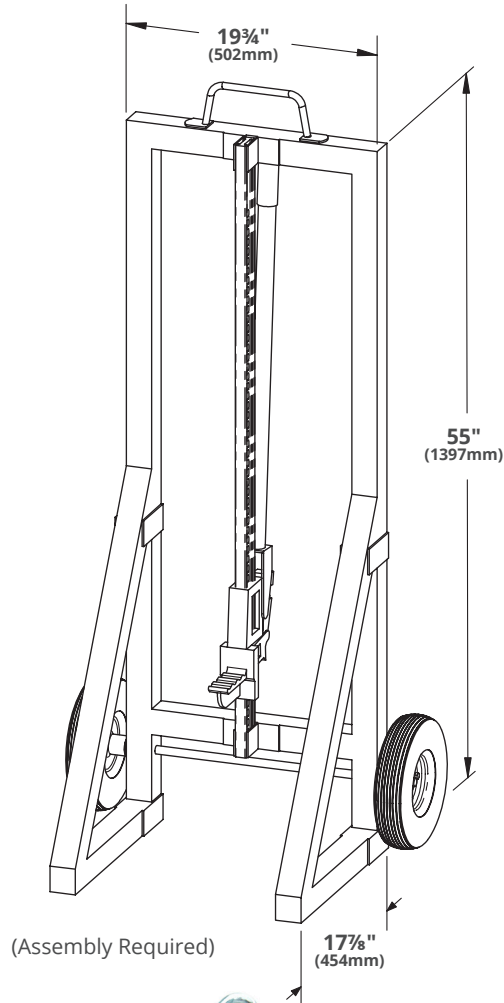
Item #:50800 (OZ-PULLER)

MSRP: \$604.49

Kit Includes:

- 1 Puller Frame
- 1 Manual Jack
- 1 Chain
- 1 Plug Clamp
- 1 Post Clamp

121 lbs  54.81 kg **PC** 



Plug Clamp

Item #:50820 (PLUG-CL)

MSRP: \$51.09

Includes: 1 Plug Clamp

5.7 lbs  2.56 kg **PC** 



Post Clamp

Item #:50833 (POST-CL)

MSRP: \$64.19

Includes: 1 Post Clamp

6 lbs  2.7 kg **PC** 



Item#:	Product Description	Abbreviated	Pg	MSRP
16621	1½" Hex Cap Nut - (250PK)	175-HCN-B	73	\$343.19
16622	1¼" Hammered Dome Cap Nut	HDCN-B (250PK)	73	\$529.19
16624	Star 3 ¾" OD - BULK	STAR3.375-B	73	\$268.79
16625	¼" X 1 ¾" Timber Screws - BULK	OWT175LB-B	83	\$111.10
16626	¼" X 2 ¾" Timber Screws - BULK	OWT275LB-B	83	\$90.90
16627	¼" X 3 ¾" Timber Screws - BULK	OWT375LB-B	83	\$120.19
16628	¼" X 5 ¾" Timber Screws - BULK	OWT575LB-B	83	\$120.19
16629	¼" X 7 ½" Timber Screws - BULK	OWT750LB-B	83	\$124.23
16647	¼" X 10" Timber Screws - BULK	OWT10LB-B	83	\$36.61
16648	¼" X 12" Timber Screws - BULK	OWT12LB-B	83	\$97.97
16649	¾" 4-6" Timber Bolts - BULK	BOLT 4-6-B	74	\$255.79
16650	¾" 6-8" Timber Bolts - BULK	BOLT 6-8-B	74	\$260.39
16651	¾" 8-10" Timber Bolts - BULK	BOLT 8-10-B	74	\$265.09
16652	¾" 10-12" Timber Bolts - BULK	BOLT 10-12-B	74	\$227.79
16680	HD Timber Bolt Washer - BULK	WASH-TB-B	74	\$268.79
20440	Hammer Driver	OH-02	104	\$29.99
20480	Jackhammer Driver Kit)	JDK-10	104	\$39.99
20500	Manual Driving Kit	MDK-13	104	\$39.99
20550	3' Steel Post Extender	PST-EXT	89	\$27.89
30000	GB-700 - (1½" Round)	GB-700	98	\$19.49
30020	HB-700 - (1¾" Round)	HB-700	98	\$22.29
30040	ISW-850 - (2¾" Round)	ISW-850	98	\$29.79
30060	IS-600 - (2¾" Round)	IS-600	98	\$23.19
30160	T4-850 - (3½" Square)	T4-850	96, 102	\$25.09
30180	T4-600 - (3½" Square)	T4-600	96	\$20.49
30300	I2-850 - (2" Square)	I2-850	100	\$19.49
30320	I2-600 - (2" Square)	I2-600	100	\$17.69
30340	I25-850 - (2½" Square)	I25-850	100	\$23.19
30360	I3-850 - (3" Square)	I3-850	100	\$29.79
30380	T46-850 - (3½"X5½")	T46-850	96	\$29.79
30400	T6-850 - (5½" Square)	T6-850	97	\$43.69
30410	T6-700 - (5½" Square)	T6-700	102	\$30.69
30500	2¾" Round Post Base	238-IS-PB	99	\$16.99
30700	MB-24 - (3½" Square)	MB-24	96	\$15.79
40520	T46 - (Hammer-Spacer)	HSP-T46	104	\$14.28
40540	T6 - (Hammer-Spacer)	HSP-T6	104	\$10.86
40580	I25 - (Hammer-Spacer)	HSP-I25	104	\$10.11
40600	I3 - (Hammer-Spacer)	HSP-I3	104	\$10.25
40640	HB - (Hammer-Spacer)	HSP-HB	104	\$9.85
41717	2" Rafter Clips - IW - (2PK)	RC-2-IW-2PK	53	\$4.59
46617	2" Rafter Clips - LS - (2PK)	RC-2-LS-2PK	53	\$4.59
46621	1½" Hex Cap Nut - (4PK)	1.75-HCN-4PK	73	\$6.69
50100	Steel 2 Wood Fence Bracket	WAP-238	88	\$2.75
50110	Steel 2 Wood Fence Bracket	WAP-OZ	88	\$2.90
50111	Steel 2 Wood Fence Bracket	WAP-OZ-CASE	88	\$138.59
50120	Wood 2 Wood Fence Bracket	W2W-FB	89	\$2.19
50130	Steel 2 Wood Bracket BULK	WAP-238-CASE	88	\$117.99
50140	WAP-238-90 Inside 90°	WAP-238-90	88	\$3.69

Item#:	Product Description	Abbreviated	Pg	MSRP
50740	Post Level	LEVEL	104	\$6.59
50800	OZ-Puller®	OZ-PULLER	105	\$604.49
50820	Plug Clamp	PLUG-CL	105	\$51.09
50833	Post Clamp	POST-CL	105	\$64.19
50880	OZ-Deck Plate	OD-T4	95, 102	\$22.29
50890	Cap Driving Tool	CDT-07	99	\$17.99
51705	10X10 Post Base - IW	10X10-PB-IW	29	\$150.69
51707	4X4 Post Base - IW	4X4-PB-IW	19	\$36.29
51708	6X6 Post Base - IW	6X6-PB-IW	25	\$59.49
51709	8X8 Post Base - IW	8X8-PB-IW	29	\$87.99
51710	8" Post to Beam - IW	P2B-IW-2	44	\$53.89
51711	Truss Accent Plate - IW	TA-IW	57	\$25.09
51717	2" Rafter Clips - IW - (10PK)	RC-IW-2	53	\$21.39
51718	4" Rafter Clips -IW	RC-IW-4	55	\$73.49
51730	4X4 Post Base (2) Saddles - IW	4X4-TRS-IW	21	\$37.19
51731	4X4 Post Base (1) Saddle - IW	4X4-SRS-IW	21	\$36.69
51735	6" Post to Beam - IW	P2B-IW-6	41	\$52.99
51736	Post to Beam Bolt Offset -IW	P2B-BO-IW	43	\$44.19
51737	Post to Beam Bolt Inline - IW	P2B-BI-IW	43	\$44.19
51738	2" HV Rafter Clip - IW new	RC-IW-HV-2	52	\$30.69
51739	Joist Hanger Flush 6 -8" - IW	JHF-68-IW	47	\$21.59
51740	Joist Hanger Tab 6-8" - IW	JHT-68-IW	49	\$30.19
51767	4" T Tie Plate - IW	TTP-4-IW	63	\$12.79
51768	4" Flush Inside 45° - IW	FI45-IW-4	55	\$42.79
51769	6-8" Beam Hanger Flush - IW	BHF-68-IW	47	\$74.39
51770	8-10" Joist Hanger Flush - IW	JHF-810-IW	49	\$37.19
51771	6X6Post Base (1) Saddle - IW	6X6-SRS-IW	27	\$67.89
51772	6X6 Post Base (2) Saddles - IW	6X6-TRS-IW	27	\$70.69
51774	4" Flush Outside 90° - IW	FO-90-IW-4	60	\$10.49
51775	4" Post to Beam - IW	P2B-IW-4	41	\$35.29
51776	8" Post to Beam Flush - IW	P2BF-IW	45	\$33.49
51777	8" Post to Beam Coupler - IW	8P2B-SB-IW	45	\$45.99
51778	4X4 Column Caps- IW	4X4-CAP-IW	39	\$30.69
51779	6X6 Column Caps- IW	6X6-CAP-IW	39	\$39.99
51783	4X4 Post Band - IW	4X4-BND-IW	33	\$25.59
51786	6X6 Post Band - IW	6X6-BND-IW	33	\$27.89
51787	8X8 Post Band - IW	8X8-BND-IW	33	\$32.99
51789	4X4 Faux Post Base - IW	4X4-FPB-IW	23	\$24.39
51790	6X6 Faux Post Base - IW	6X6-FPB-IW	31	\$50.19
51791	8X8 Faux Post Base - IW	8X8-FPB-IW	31	\$73.49
51793	Rafter Seam - IW	RS-IW	51	\$17.29
52107	4X4 Post Base - IW OWT-LITE	4X4-PB-IWL	16	\$25.09
52108	6X6 Post Base - IW OWT-LITE	6X6-PB-IWL	16	\$32.29
52109	8X8 Post Base - IW OWT-LITE	8X8-PB-IWL	16	\$46.49
52110	8" Post to Beam - IW OWT-LITE	8-P2B-IWL	16	\$36.29
54207	4X4 Post Base - LS OWT-LITE	4X4-PB-LSL	15	\$25.09
54208	6X6 Post Base - LS OWT-LITE	6X6-PB-LSL	15	\$32.29
54209	8X8 Post Base - LS OWT-LITE	8X8-PB-LSL	15	\$46.49

Item#:	Product Description	Abbreviated	Pg	MSRP	Item#:	Product Description	Abbreviated	Pg	MSRP
54210	8" Post to Beam - LS OWT-LITE	8-P2B-LSL	15	\$36.29	56650	¾" 6-8" Timber Bolts	3/4-TB-6-8	74	\$20.49
56100	16" Carriage House Straps	CH-STRAP	84	\$8.79	56651	¾" 8-10" Timber Bolts	3/4-TB-8-10	74	\$21.39
56110	9¾" Carriage House Handles	CH-HANDLE	84	\$4.39	56652	¾" 10-12" Timber Bolts	3/4-TB-10-12	74	\$22.29
56604	4X6 Post Base - LS	4X6-PB-LS	25	\$59.49	56653	T Hinge 3 Pack w/ HDCN	T-HINGE	84	\$65.09
56605	10X10 Post Base - LS	10X10-PB-LS	29	\$150.69	56654	Strap Hinge 3pk w/ HDCN	S-HINGE	84	\$55.79
56607	4X4 Post Base - LS	4X4-PB-LS	19	\$36.29	56655	Butterfly Hinge 3pk w/ HDCN	B-HINGE	84	\$52.09
56608	6X6 Post Base - LS	6X6-PB-LS	25	\$59.49	56656	Standard Latch w/ Handle	S-LATCH-S	85	\$10.89
56609	8X8 Post Base - LS	8X8-PB-LS	29	\$57.99	56658	Gate Accent Scroll	GA-SCROLL	84	\$56.69
56610	8" Post to Beam - LS	P2B-LS-2	44	\$53.89	56659	Gate Accent Fleur-De-Lis	GA-FDL	84	\$52.99
56611	Truss Accent Plate - LS	TA-LS	57	\$25.09	56660	Gate Accent Speak Easy	GA-EASY	85	\$48.39
56612	"T" Tie Plate	TTP	59	\$42.49	56661	T Hinge - (Bulk Single)	T-HINGE-S	84	\$10.69
56613	Butt Joint Flush	BJF	60	\$8.99	56662	Strap Hinge - (Bulk Single)	S-HINGE-S	84	\$12.99
56614	Flush Outside 90° Plate	F090	60	\$17.39	56663	Butterfly Hinge - (Bulk Single)	B-HINGE-S	84	\$12.99
56615	Flush Inside 90° Plate	FI90	59	\$13.99	56664	Standard Latch w Handle - (Bulk)	S-LATCH-S	85	\$10.89
56616	Flush Inside 45° Plate	FI45	59	\$13.99	56665	Gate Accent Star	GA-STAR	84	\$56.29
56617	2" Rafter Clips - LS	RC-LS-2	53	\$21.39	56667	4" T Tie Plate - LS	TTP-4-LS	63	\$12.79
56618	4" Rafter Clips - LS	RC-LS-4	55	\$73.49	56668	4" Flush Inside 45° - LS	FI45-LS-4	55	\$42.79
56619	Truss Base Fan 8:12 Plate	TBF-8-12	67	\$72.49	56669	6-8" Beam Hanger Flush - LS	BHF-68-LS	47	\$74.39
56620	Truss Base Fan 10:12 Plate	TBF-10-12	67	\$72.49	56670	8-10" Joist Hanger Flush - LS	JHF-810-LS	49	\$37.19
56621	1½" Hex Cap Nut - (10PK)	HCN	73	\$15.79	56671	6X6 Post Base (1) Saddle - LS	6X6-SRS-LS	27	\$67.89
56622	1¼" Hammered Dome Cap Nut	HDCN (10PK)	73	\$27.89	56672	6X6 Post Base (2) Saddles - LS	6X6-TRS-LS	27	\$70.69
56623	Star 2 ¾" OD	STAR2.375	73	\$32.49	56673	¾" 1½"-4" Timber Bolts	3/4-TB-1.5-4	74	\$23.69
56624	Star 3 ¾" OD	STAR3.375	73	\$34.89	56674	4" Flush Outside 90° - LS	FO-90-LS-4	60	\$10.49
56625	¼" X 1 ¾" Timber Screws	OWT175LB	83	\$4.55	56675	4" Post to Beam - LS	P2B-LS-4	41	\$35.29
56626	¼" X 2 ¾" Timber Screws	OWT275LB	83	\$8.88	56676	8" Post to Beam Flush - LS	P2BF-LS	45	\$33.49
56627	¼" X 3 ¾" Timber Screws	OWT375LB	83	\$10.09	56677	8" Post to Beam Coupler - LS	8P2B-SB-LS	45	\$45.99
56628	¼" X 5 ¾" Timber Screws	OWT575LB	83	\$17.16	56678	4X4 Column Caps- LS	4X4-CAP-LS	39	\$30.69
56629	¼" X 7 ½" Timber Screws	OWT750LB	83	\$20.69	56679	6X6 Column Caps- LS	6X6-CAP-LS	39	\$39.99
56630	4X4 Post Base (2) Saddles - LS	4X4-TRS-LS	21	\$37.19	56680	HD Timber Bolt Washer	WASH-TB	74	\$9.29
56631	4X4 Post Base (1) Saddle - LS	4X4-TRS-LS	21	\$36.69	56681	1" Hex Cap Nut	HCN-1	73	\$13.69
56632	4X4 Ornamental Anchor - LS	4x4-OPA-LS	95	\$62.29	56689	4X4 Faux Post Base - LS	4X4-FPB-LS	23	\$24.39
56633	6X6 Ornamental Anchor - LS	6x6-OPA-LS	95	\$96.69	56690	6X6 Faux Post Base - LS	6X6-FPB-LS	31	\$50.19
56634	8X8 Ornamental Anchor - LS	8x8-OPA-LS	95	\$131.09	56691	8X8 Faux Post Base - LS	8X8-FPB-LS	31	\$73.49
56635	6" Post to Beam - LS	P2B-LS-6	41	\$52.99	56693	Rafter Seam - LS	RS-LS	51	\$17.29
56636	Post to Beam Bolt Offset - LS	P2B-BO-LS	43	\$44.19	56694	½" 1½"-4" Timber Bolts	1/2-TB-1.5-4	75	\$13.59
56637	Post to Beam Bolt Inline - LS	P2B-BI-LS	43	\$44.19	56695	½" 4-6" Timber Bolts	1/2-TB-4-6	75	\$14.89
56638	2" HV Rafter Clip - LS	RC-LS-HV-2	53	\$30.69	56696	½" 6-8" Timber Bolts	1/2-TB-6-8	75	\$15.29
56639	Joist Hanger Flush 6 -8" - LS	JHF-68-LS	47	\$21.89	56697	½" 8-10" Timber Bolts	1/2-TB-8-10	75	\$16.69
56640	Joist Hanger Tab 6-8" - LS	JHT-68-LS	49	\$30.19	56698	½" 10-12" Timber Bolts	1/2-TB-10-12	75	\$17.19
56641	2X4 Top Rail Saddle - LS	2X4-TR	19	\$5.99		Post Band Accessories			
56642	Truss Base Fan 4:12 Plate	TBF-4-12	71	\$72.49	57703	Wine Glass Holder	HA-WGH	32	\$5.59
56643	Truss Base Fan 6:12 Plate	TBF-6-12	71	\$72.49	57704	Plant Hanger	HA-PH	33	\$9.29
56644	Truss Base Fan 12:12 Plate	TBF-12-12	67	\$72.49	57705	Wine Bottle Holder	HA-WBH	35	\$7.39
56645	Truss Base Fan T Plate	TBF-T	71	\$72.49	57706	Shackle Ring	HA-SHK	35	\$5.59
56646	Truss Base Fan 3 Point Plate	TBF-3-PT	71	\$72.49	57707	Can/Mobile Holder	HA-DCH	35	\$11.19
56647	¼" X 10" Timber Screws	OWT10LB	83	\$11.34	57708	Towel Hook	HA-TH	35	\$8.39
56648	¼" X 12" Timber Screws	OWT12LB	83	\$25.24	57712	"T" Tie Plate Extended	TTP-EXT	59	\$49.99
56649	¾" 4-6" Timber Bolts	3/4-TB-4-6	74	\$18.59					

Prices and availability are subject to change without notice. While we strive for accuracy, mistakes happen. All pricing is MSRP and listed in US dollars.



OZCOBuildingProducts.com

OZCO Building Products

216 N. Interurban

Richardson, TX 75081

(469) 916-7503

OZCO Connects on Social Media, Join Us

